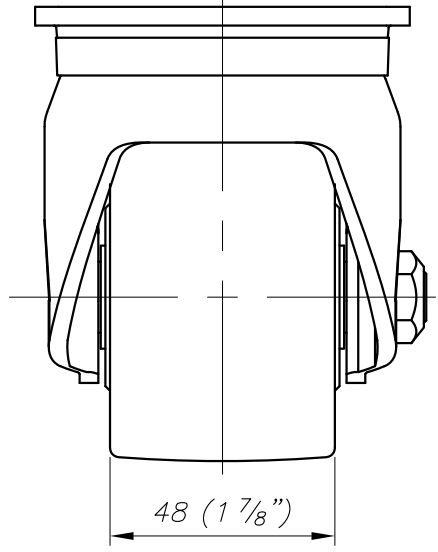
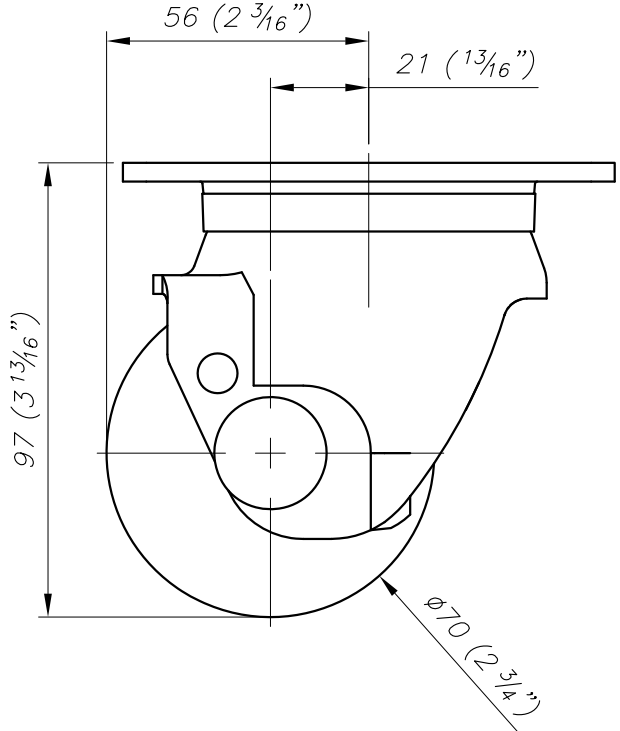


6- $\varnothing 9$ (3/8") HOLES
FOR M8 BOLT



1
2
3
4
5
6
7
8
9
0

1
2
3
4
5
6
7
8
9
0

