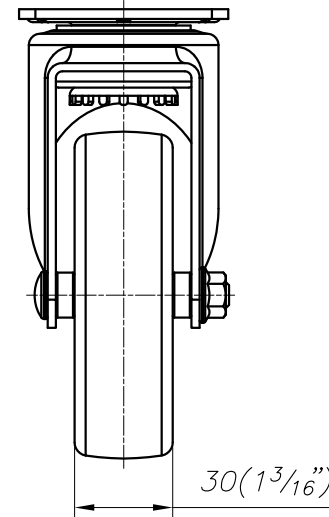
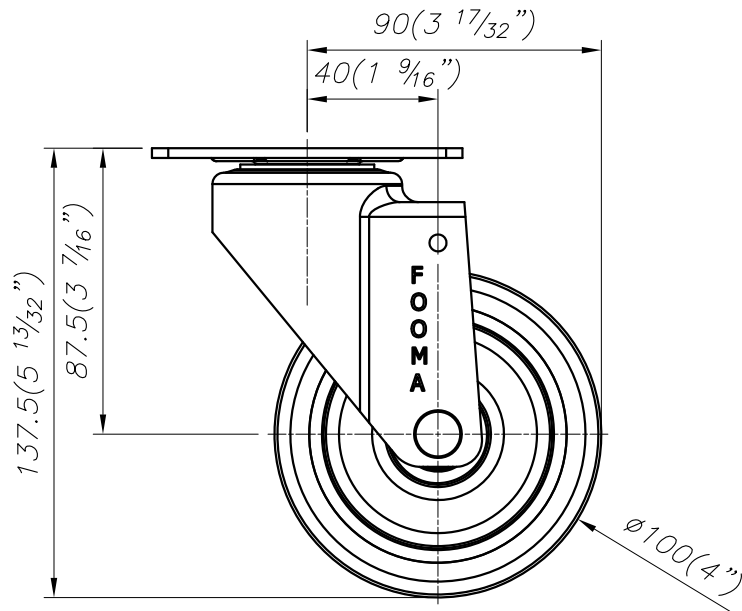


4- $\phi$ 9(1 1/32") SLOT HOLES  
FOR M8 BOLT



FOOT MASTER<sup>®</sup>

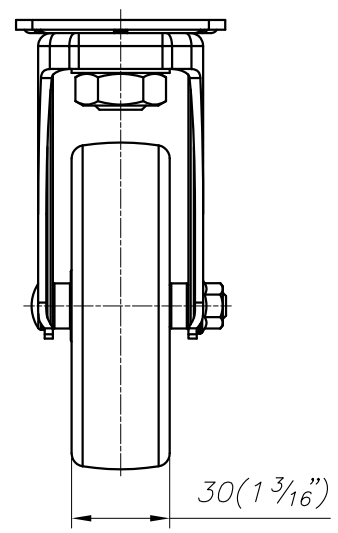
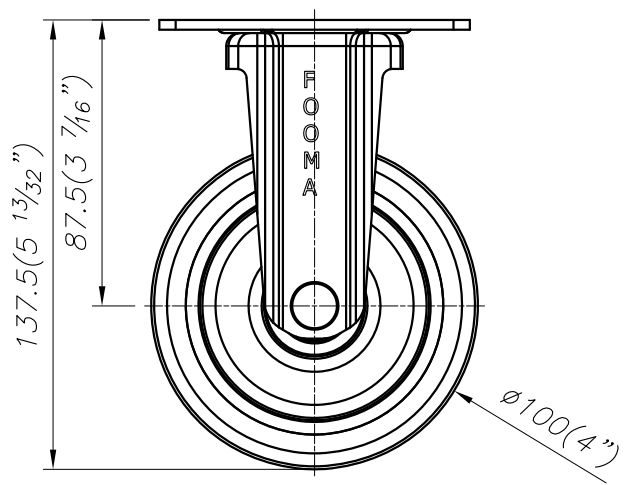
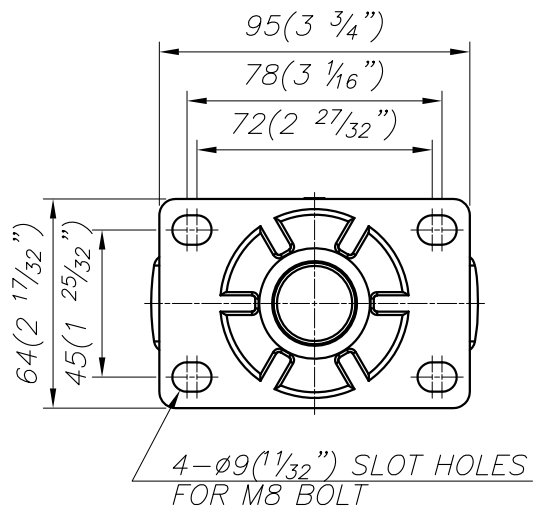
FOOMA<sup>®</sup>

G-DOK IND.

MODEL NAME

PL-100-ASF-FRD

FOOT MASTER G-DOK IND. FOOT MASTER G-DOK IND.



FOOT MASTER<sup>®</sup>

FOOMA<sup>®</sup>

 G-DOK IND.

MODEL NAME

PL-100-ARF-FRD

FOOT MASTER G-DOK IND. FOOT MASTER G-DOK IND.