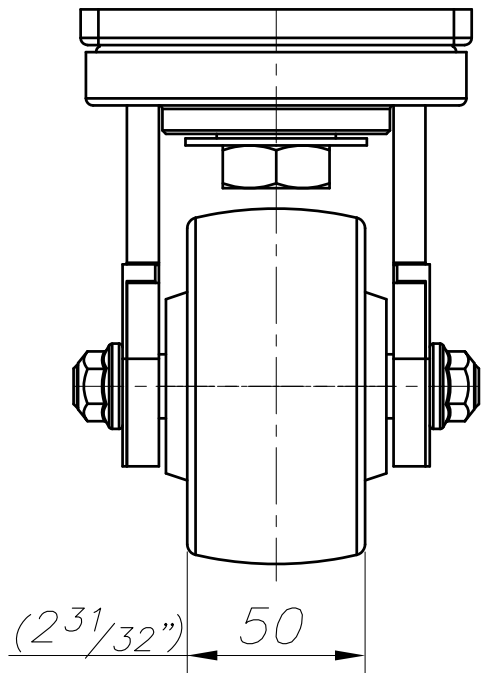
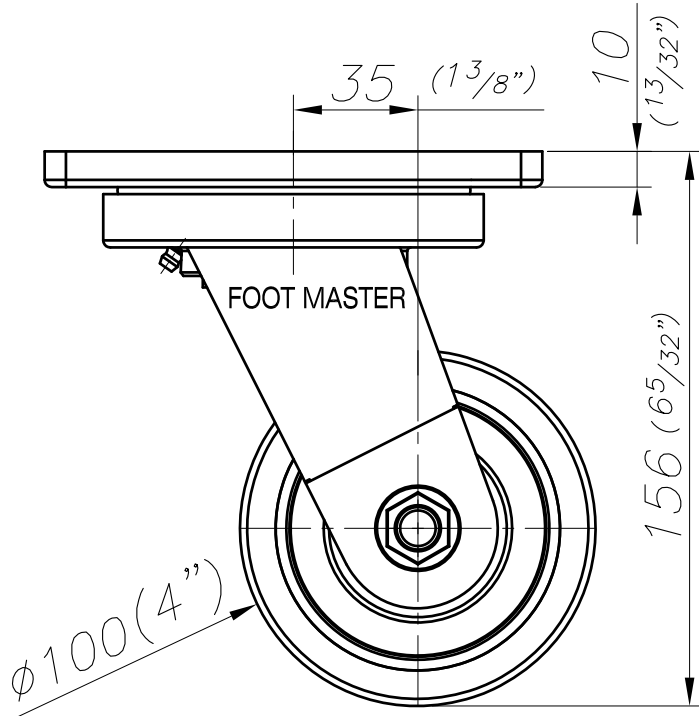
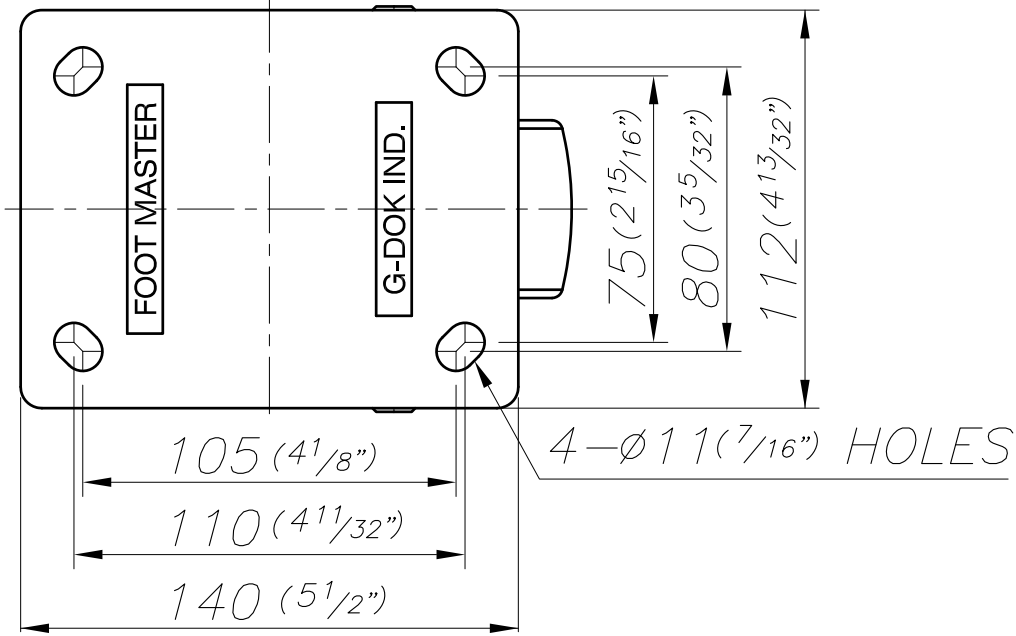


FOOT MASTER

G-DOK IND.

FOOT MASTER

G-DOK IND.



FOOT MASTER®

FOOMA®

G-DOK IND.

MODEL NAME

GXTA-100-ASF

A

B

C

E

F

G

FOOT MASTER

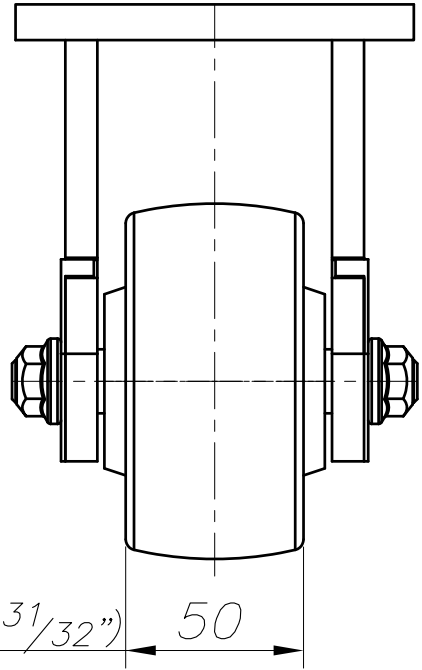
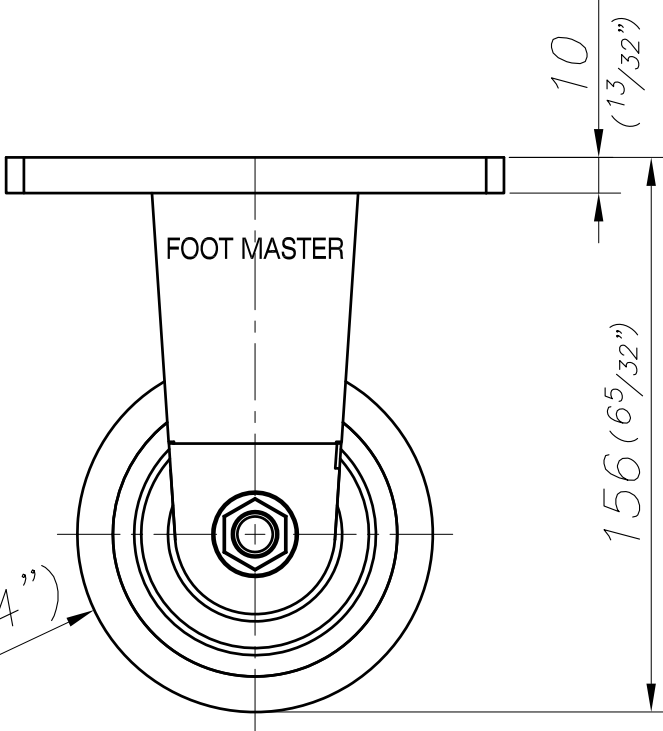
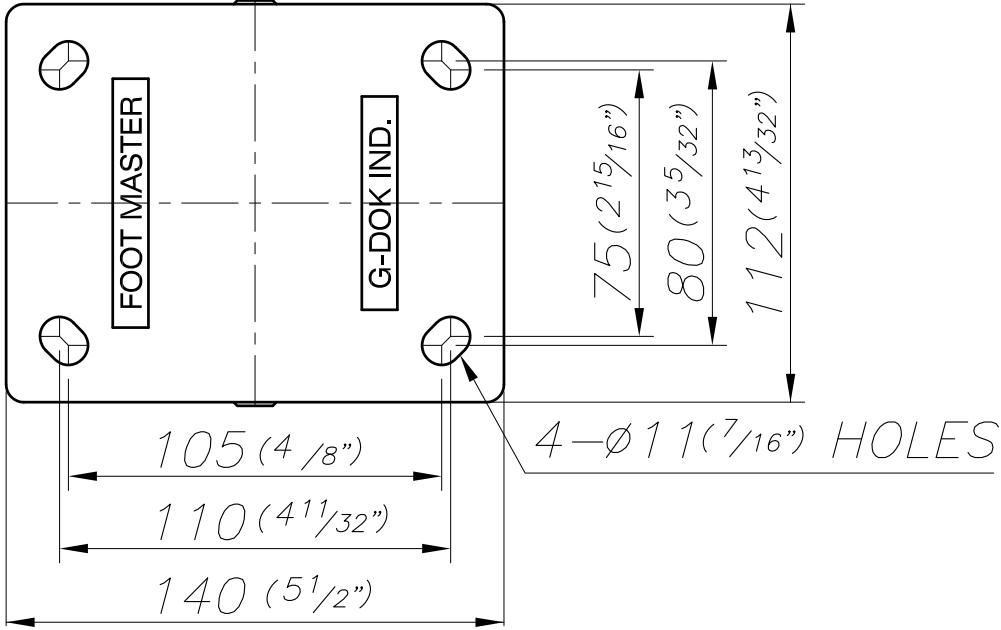
G-DOK IND.

FOOT MASTER

G-DOK IND.

1
2
3
4
5
6
7
8
9
0

1
2
3
4
5
6
7
8
9
0



FOOT MASTER®

FOOMA®

G-DOK IND.

MODEL NAME

GXTA-100-ARF

A

B

C

E

F

G