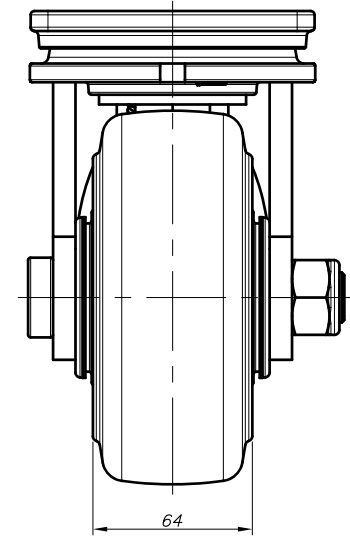
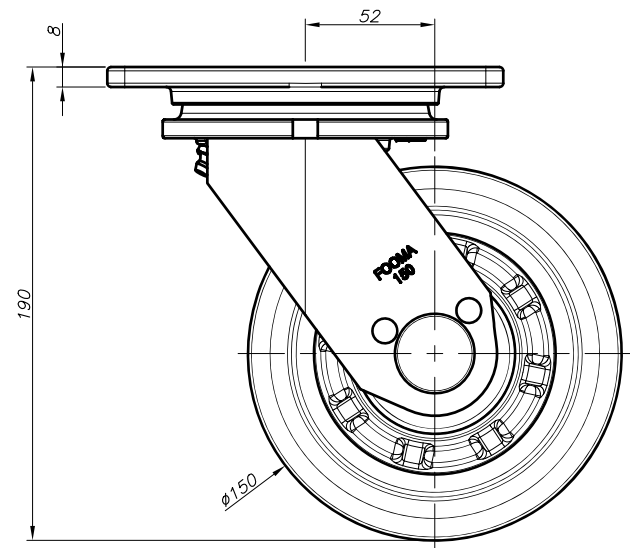
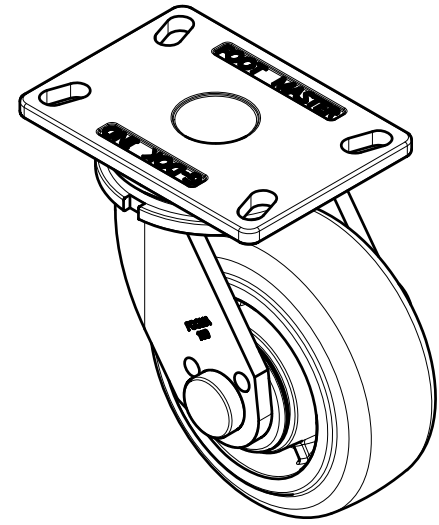
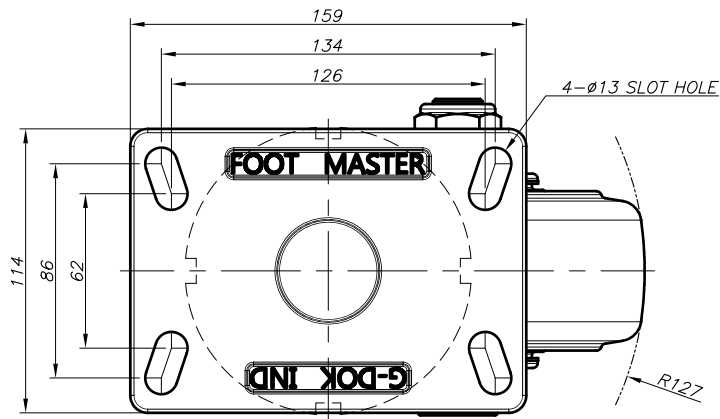


| REV. NO. | DATE | DESCRIPTION | APP'D | REMARKS |
|----------|------|-------------|-------|---------|
| ▲ | - | - | - | - |



NOTE

※1) --

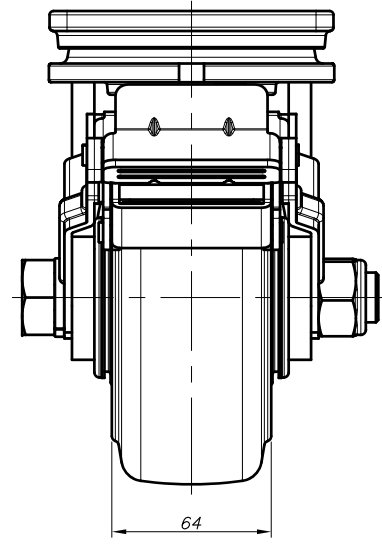
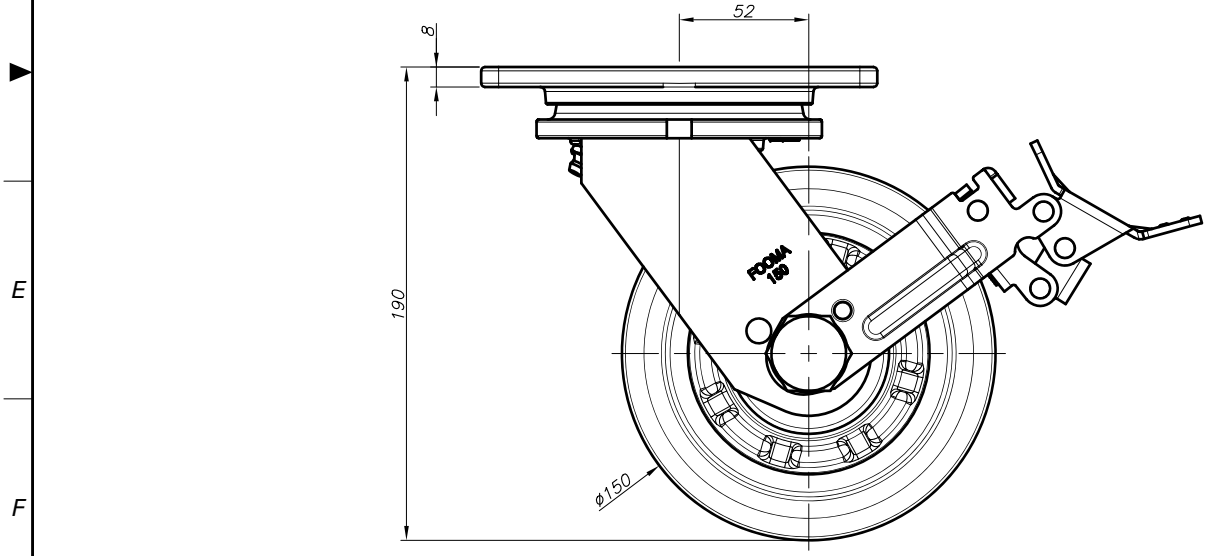
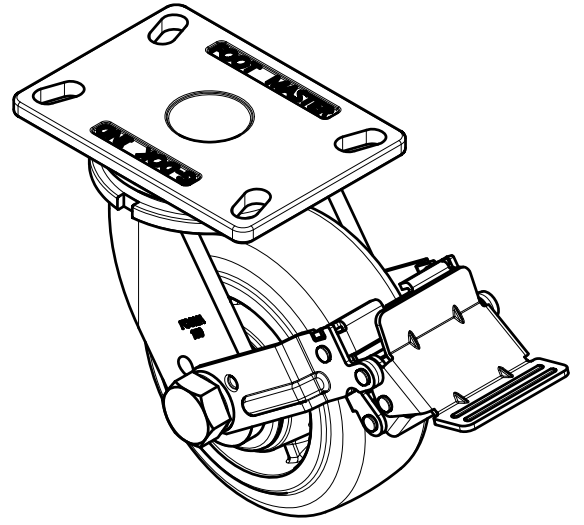
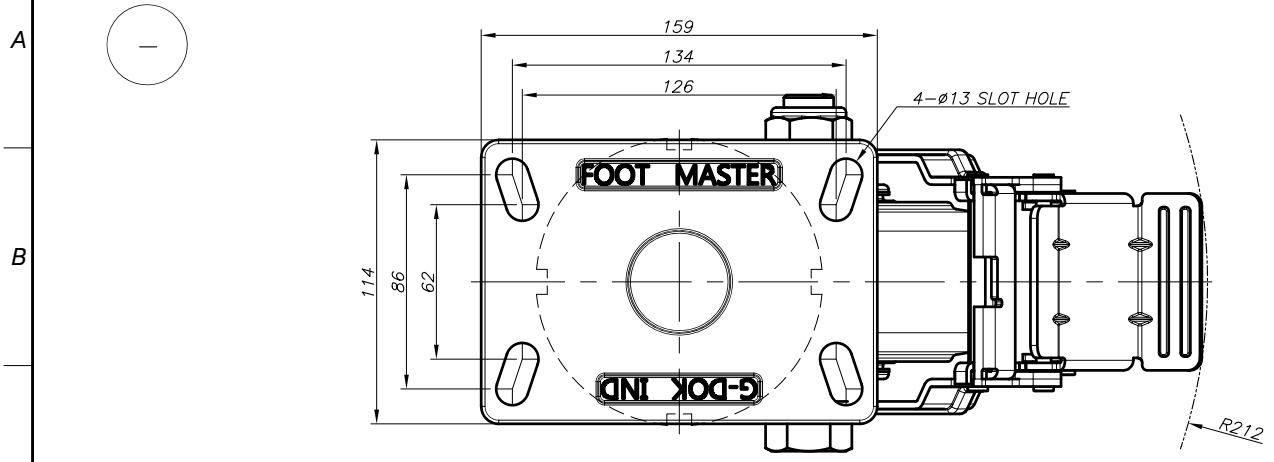
| NO. | DESCRIPTION | UNIT | Q'TY | MATERIAL | WEIGHT | SPECIFICATION | REMARKS |
|-----|-------------|------|------|----------|--------|---------------|---------|
| -- | -- | -- | -- | -- | -- | -- | -- |

| PROCESS | GENERAL TOLERANCE | | | | | | | | | | | | | | | |
|-------------|-------------------|----------|---------------------------|----------------------|-----------------|---------|-----------|---------|-------------------|---------|-----------|---------|---------------|---------|-----------|---------|
| MATERIAL | MACHINING WORKING | | | | DIE CASTING | | | | INJECTION MOLDING | | | | PRESS WORKING | | | |
| APPROVED BY | CHECKED BY | DRAWN BY | PRODUCT GENERAL TOLERANCE | | | | | | | | | | | | | |
| O.C.K | J.Y.H | S.D.W | CASTER HEIGHT | WHEEL OUTER DIAMETER | WHEEL HUB WIDTH | FINISH | | FINISH | | FINISH | | FINISH | | FINISH | | |
| | | | PRECISION | GENERAL | PRECISION | GENERAL | PRECISION | GENERAL | PRECISION | GENERAL | PRECISION | GENERAL | PRECISION | GENERAL | PRECISION | GENERAL |
| | | | 0.5 - 6 | ±0.05 | ±0.1 | 1-10 | AS | 1-4 | AS | 1-4 | AS | 1-4 | AS | 1-4 | AS | |
| | | | 6 - 30 | ±0.1 | ±0.2 | 10-30 | AS | 10-30 | AS | 10-30 | AS | 10-30 | AS | 10-30 | AS | |
| | | | 30 - 120 | ±0.15 | ±0.3 | 10-30 | AS | 10-30 | AS | 10-30 | AS | 10-30 | AS | 10-30 | AS | |
| | | | 120 - 400 | ±0.2 | ±0.5 | 10-30 | AS | 10-30 | AS | 10-30 | AS | 10-30 | AS | 10-30 | AS | |
| | | | 400 - 1000 | ±0.3 | ±0.8 | 10-30 | AS | 10-30 | AS | 10-30 | AS | 10-30 | AS | 10-30 | AS | |

| FOOT MASTER® | | FOOMA® | | G-DOK IND. | |
|--------------|----------------|-------------------|------------|------------|---|
| SERIES NAME | GF-SERIES | DATE | 2023.08.21 | GSN NO. | - |
| PRODUCT NAME | GF-150-ASF-MUD | SCALE | N/S | DWG. NO. | - |
| PART NAME | ASSEMBLY | WEIGHT | -- | REVISION | |
| | | GENERAL TOLERANCE | -- | ANGLE | ▲ |

FOOT MASTER G-DOK IND.

| REV. NO. | DATE | DESCRIPTION | APP'D | REMARKS |
|----------|------|-------------|-------|---------|
| ▲ | - | - | - | - |



NOTE

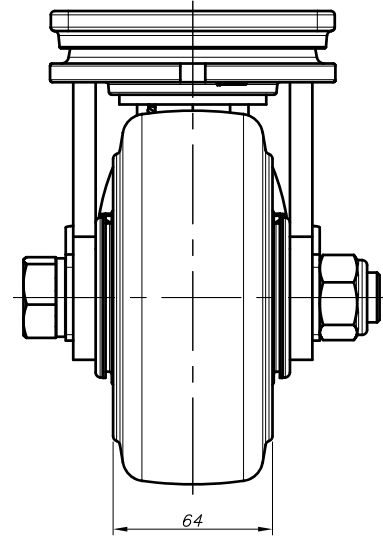
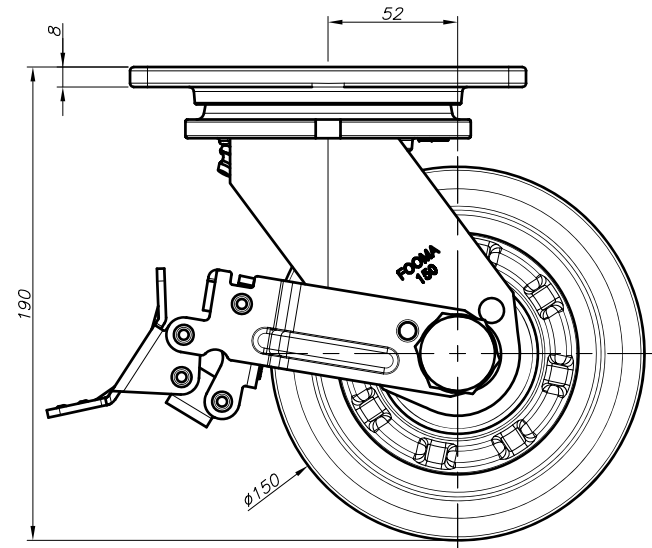
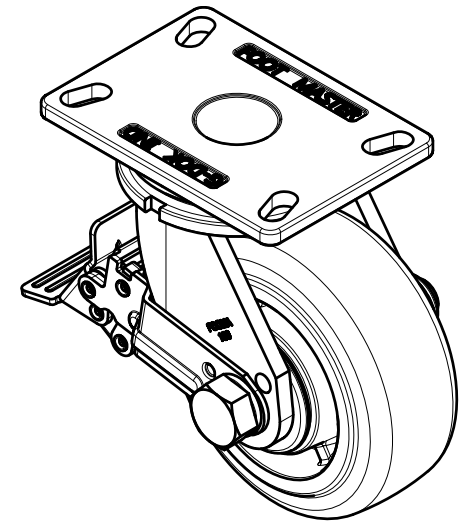
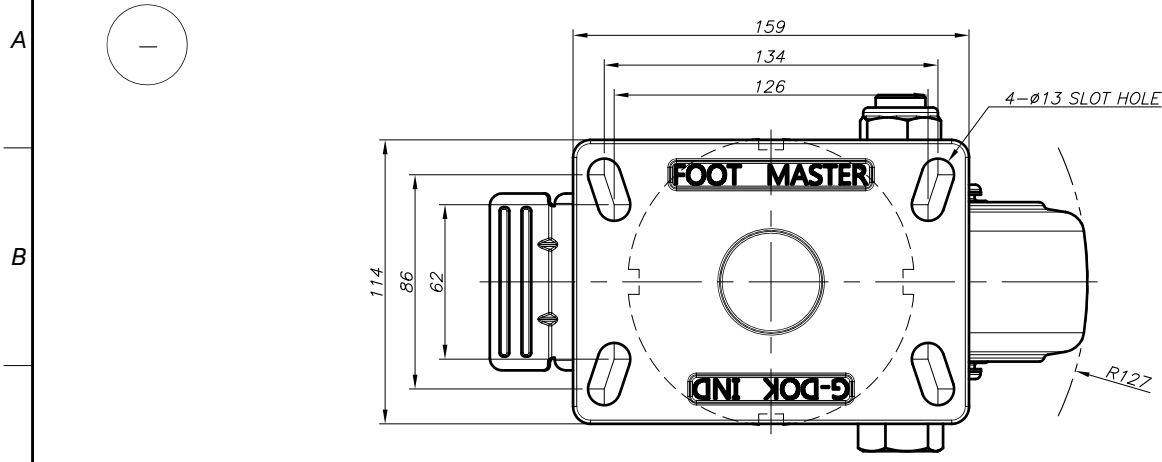
※1) --

| -- | -- | - | - | - | - | - | - |
|-----|-------------|------|------|----------|--------|---------------|---------|
| NO. | DESCRIPTION | UNIT | Q'TY | MATERIAL | WEIGHT | SPECIFICATION | REMARKS |

| | | | | | | | | | | | |
|-------------|------------|----------|---------------------------|----------------------|-----------------|-------------------|-----|-------|-----|------|-----|
| PROCESS | --- | | | | | | | | | | |
| MATERIAL | --- | | | | | | | | | | |
| APPROVED BY | CHECKED BY | DRAWN BY | PRODUCT GENERAL TOLERANCE | | | | | | | | |
| O.C.K | J.Y.H | S.D.W | CASTER HEIGHT | WHEEL OUTER DIAMETER | WHEEL HUB WIDTH | GENERAL TOLERANCE | | | | | |
| | | | ±0.05 | ±0.1 | ±0.1 | CHAMFER | 0.5 | ROUND | 0.5 | UNIT | mm |
| | | | ±0.05 | ±0.1 | ±0.1 | INJECTION MOLDING | 0.5 | 0.5 | 0.5 | 0.5 | 0.5 |
| | | | ±0.05 | ±0.1 | ±0.1 | PRESS BURNING | 0.5 | 0.5 | 0.5 | 0.5 | 0.5 |
| | | | ±0.05 | ±0.1 | ±0.1 | | | | | | |

| | | | | | |
|--------------|----------------|-------------------|------------|------------|---|
| FOOT MASTER® | | FOOMA® | | G-DOK IND. | |
| SERIES NAME | GF-SERIES | DATE | 2023.08.21 | GSN NO. | - |
| PRODUCT NAME | GF-150-BSF-MUD | SCALE | N/S | DWG. NO. | - |
| PART NAME | ASSEMBLY | WEIGHT | -- | REVISION | |
| | | GENERAL TOLERANCE | -- | ANGLE | ▲ |

| REV. NO. | DATE | DESCRIPTION | APP'D | REMARKS |
|----------|------|-------------|-------|---------|
| ▲ | - | - | - | - |



NOTE

※ 1) --

| NO. | DESCRIPTION | UNIT | Q'TY | MATERIAL | WEIGHT | SPECIFICATION | REMARKS |
|-----|-------------|------|------|----------|--------|---------------|---------|
| -- | -- | -- | -- | -- | -- | -- | -- |

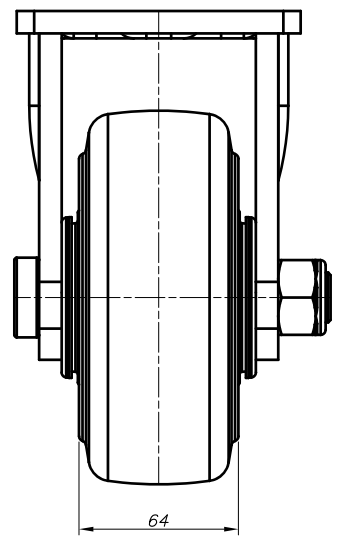
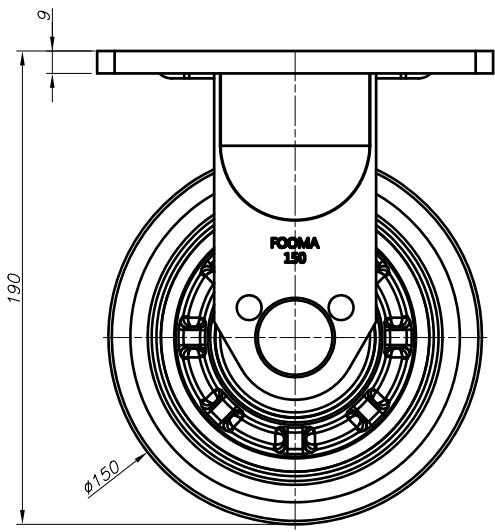
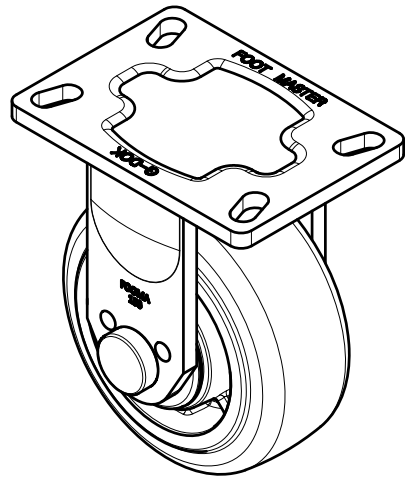
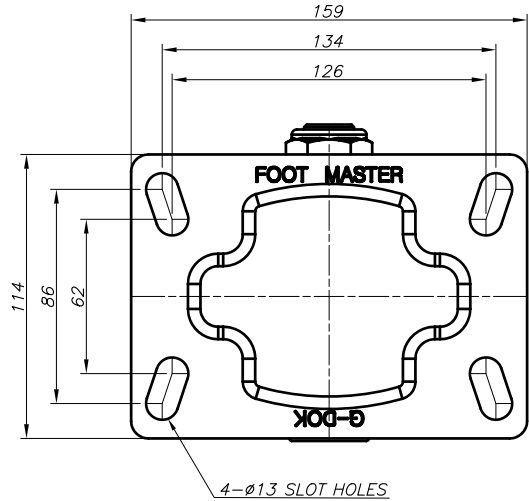
| PROCESS | | MATERIAL | | APPROVED BY | | CHECKED BY | | DRAWN BY | |
|---------|--|----------|--|-------------|--|------------|--|----------|--|
| --- | | --- | | O.C.K | | J.Y.H | | S.D.W | |

| GENERAL TOLERANCE | | | | | | | | | | | |
|-------------------|---------------|-------------|------------|---------------|-------------|------------|-------------------|-------------|------------|---------------|-------------|
| MACHINING WORKING | | | | | DIE CASTING | | INJECTION MOLDING | | | PRESS WORKING | |
| FINISH | PRECISION (μ) | GENERAL (μ) | FINISH (μ) | PRECISION (μ) | GENERAL (μ) | FINISH (μ) | PRECISION (μ) | GENERAL (μ) | FINISH (μ) | PRECISION (μ) | GENERAL (μ) |
| 0.5 - 6 | ±0.05 | ±0.1 | 1-10 | ±0.05 | ±0.1 | 1-10 | ±0.05 | ±0.1 | 1-10 | ±0.05 | ±0.1 |
| 6 - 30 | ±0.1 | ±0.2 | 10-30 | ±0.05 | ±0.1 | 10-30 | ±0.05 | ±0.1 | 10-30 | ±0.05 | ±0.1 |
| 30 - 120 | ±0.15 | ±0.3 | 30-120 | ±0.05 | ±0.1 | 30-120 | ±0.05 | ±0.1 | 30-120 | ±0.05 | ±0.1 |
| 120 - 400 | ±0.2 | ±0.5 | 120-400 | ±0.05 | ±0.1 | 120-400 | ±0.05 | ±0.1 | 120-400 | ±0.05 | ±0.1 |
| 400 - 1000 | ±0.3 | ±0.8 | 400-1000 | ±0.05 | ±0.1 | 400-1000 | ±0.05 | ±0.1 | 400-1000 | ±0.05 | ±0.1 |

| PRODUCT GENERAL TOLERANCE | | | | | | | | | |
|---------------------------|----------------------|-----------------|-------------------|---------------|-------------------|---------------|---------------|----------------|----------------|
| CASTER HEIGHT | WHEEL OUTER DIAMETER | WHEEL HUB WIDTH | ±0.5K (MIN:0.5mm) | ±1K (MIN:1mm) | ±1.5K (MIN:1.5mm) | ±2K (MIN:2mm) | ±3K (MIN:3mm) | -1K (MIN:-1mm) | -2K (MIN:-2mm) |
| 0.5 - 6 | ±0.05 | ±0.1 | ±0.05 | ±0.1 | ±0.05 | ±0.1 | ±0.05 | ±0.1 | ±0.05 |
| 6 - 30 | ±0.1 | ±0.2 | ±0.1 | ±0.2 | ±0.1 | ±0.2 | ±0.1 | ±0.2 | ±0.1 |
| 30 - 120 | ±0.15 | ±0.3 | ±0.15 | ±0.3 | ±0.15 | ±0.3 | ±0.15 | ±0.3 | ±0.15 |
| 120 - 400 | ±0.2 | ±0.5 | ±0.2 | ±0.5 | ±0.2 | ±0.5 | ±0.2 | ±0.5 | ±0.2 |
| 400 - 1000 | ±0.3 | ±0.8 | ±0.3 | ±0.8 | ±0.3 | ±0.8 | ±0.3 | ±0.8 | ±0.3 |

| FOOT MASTER® | | FOOMA® | | G-DOK IND. | |
|-------------------|--------------------|--------|------------|------------|---------|
| SERIES NAME | GF-SERIES | DATE | 2023.08.21 | GSN NO. | - |
| PRODUCT NAME | GF-150-BSF-MUD-FRN | SCALE | N/S | DWG. NO. | - |
| PART NAME | ASSEMBLY | WEIGHT | -- | REVISION | SIZE A3 |
| GENERAL TOLERANCE | | -- | | ANGLE | ▲ |

| REV. NO. | DATE | DESCRIPTION | APP'D | REMARKS |
|----------|------|-------------|-------|---------|
| ▲ | - | - | - | - |



4-Ø13 SLOT HOLES

NOTE

※1) --

| NO. | DESCRIPTION | UNIT | Q'TY | MATERIAL | WEIGHT | SPECIFICATION | REMARKS |
|-----|-------------|------|------|----------|--------|---------------|---------|
| -- | -- | - | - | - | - | - | - |

| PROCESS | | MATERIAL | | APPROVED BY | | CHECKED BY | | DRAWN BY | |
|---------|-----|----------|-----|-------------|-------|------------|--|----------|--|
| --- | --- | --- | --- | O.C.K | J.Y.H | S.D.W | | | |

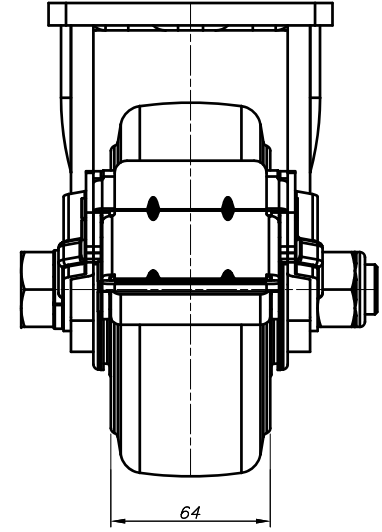
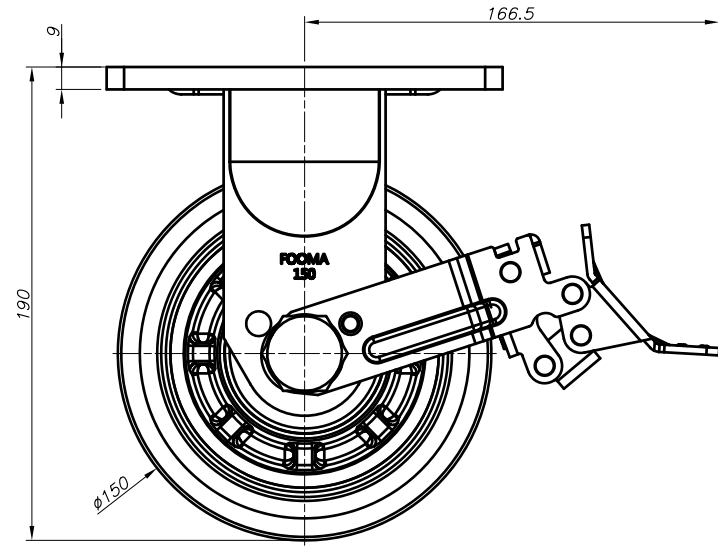
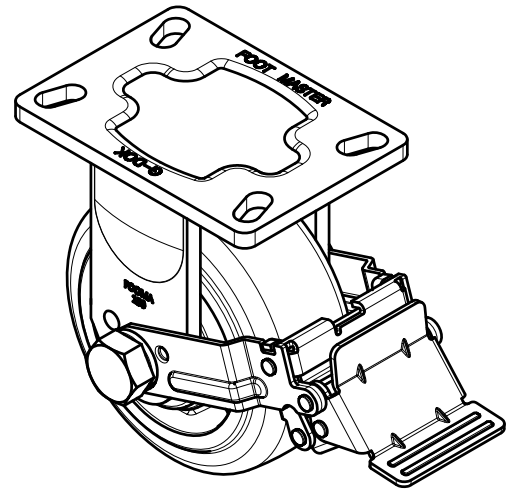
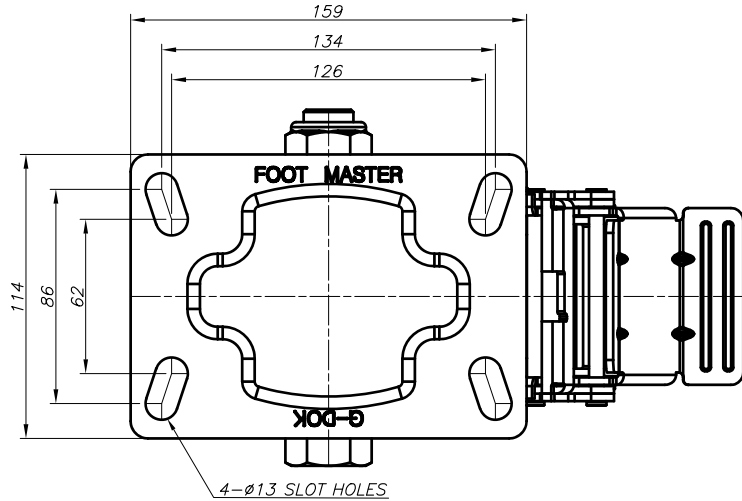
| PRODUCT GENERAL TOLERANCE | | | | | | | | | | |
|---------------------------|----------------------|----------------|-----------|---------|-----------|---------|-----------|---------|-----------|---------|
| CASTER HEIGHT | WHEEL OUTER DIAMETER | WHEEL HUB BORE | PRECISION | GENERAL | PRECISION | GENERAL | PRECISION | GENERAL | PRECISION | GENERAL |
| 6-30 | ±0.1 | ±0.2 | ±0.15 | ±0.3 | ±0.2 | ±0.3 | ±0.15 | ±0.3 | ±0.2 | ±0.3 |
| 30-120 | ±0.2 | ±0.3 | ±0.2 | ±0.4 | ±0.3 | ±0.4 | ±0.2 | ±0.4 | ±0.3 | ±0.4 |
| 120-400 | ±0.3 | ±0.4 | ±0.3 | ±0.5 | ±0.4 | ±0.5 | ±0.3 | ±0.5 | ±0.4 | ±0.5 |
| 400-1000 | ±0.4 | ±0.5 | ±0.4 | ±0.6 | ±0.5 | ±0.6 | ±0.4 | ±0.6 | ±0.5 | ±0.6 |

| GENERAL TOLERANCE | | CHAMFER | 0.5 | ROUND | 0.5 | UNIT | mm |
|-------------------|-----------|---------|--------|-----------|---------|--------|-----------|
| FINISH | PRECISION | GENERAL | FINISH | PRECISION | GENERAL | FINISH | PRECISION |
| 0.5-6 | ±0.05 | ±0.1 | R-0.5 | R0.5 | R1 | mm | |

| SERIES NAME | | DATE | | GSN NO. | |
|-------------------|--|------------|--|----------|--|
| GF-SERIES | | 2023.08.21 | | - | |
| PRODUCT NAME | | SCALE | | DWG. NO. | |
| GF-150-ARF-MUD | | N/S | | - | |
| PART NAME | | WEIGHT | | REVISION | |
| ASSEMBLY | | -- | | - | |
| GENERAL TOLERANCE | | ANGLE | | SIZE | |
| -- | | ▲ | | A3 | |

FOOT MASTER G-DOK IND.

| REV. NO. | DATE | DESCRIPTION | APP'D | REMARKS |
|----------|------|-------------|-------|---------|
| ▲ | - | - | - | - |



NOTE
 ※1) --

| PROCESS | | MATERIAL | | APPROVED BY | | CHECKED BY | | DRAWN BY | |
|---------|-----|----------|-----|-------------|-------|------------|--|----------|--|
| --- | --- | --- | --- | O.C.K | J.Y.H | S.D.W | | | |

| GENERAL TOLERANCE | | CHAMFER | | D.S | | ROAD | | D.S | | UNIT | | mm | |
|-------------------|---------|---------|----------|--------|-------|----------|-------|--------|-----------|--------|-------|------------|-------|
| MINUS | PRESION | GENRAL | MINUS | GENRAL | MINUS | GENRAL | MINUS | GENRAL | MINUS | GENRAL | MINUS | GENRAL | MINUS |
| 0.5 - 6 | ±0.05 | ±0.1 | 0.5 - 30 | ±0.1 | ±0.2 | 30 - 120 | ±0.15 | ±0.3 | 120 - 400 | ±0.2 | ±0.5 | 400 - 1000 | ±0.3 |

| | | | | | |
|--------------|----------------|-------------------|------------|------------|---|
| FOOT MASTER® | | FOOMA® | | G-DOK IND. | |
| SERIES NAME | GF-SERIES | DATE | 2023.08.21 | GSN NO. | - |
| PRODUCT NAME | GF-150-BRF-MUD | SCALE | N/S | DWG. NO. | - |
| PART NAME | ASSEMBLY | WEIGHT | -- | REVISION | |
| | | GENERAL TOLERANCE | -- | ANGLE | ▲ |

FOOT MASTER G-DOK IND.