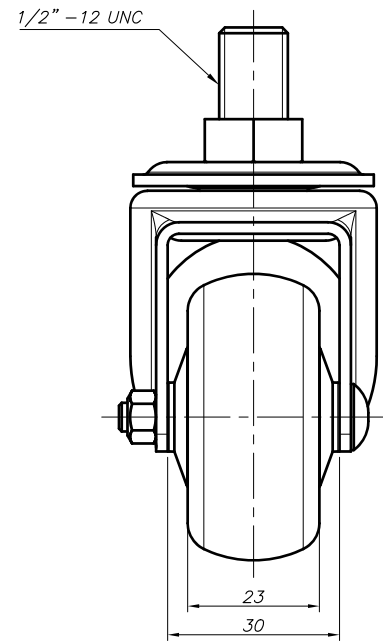
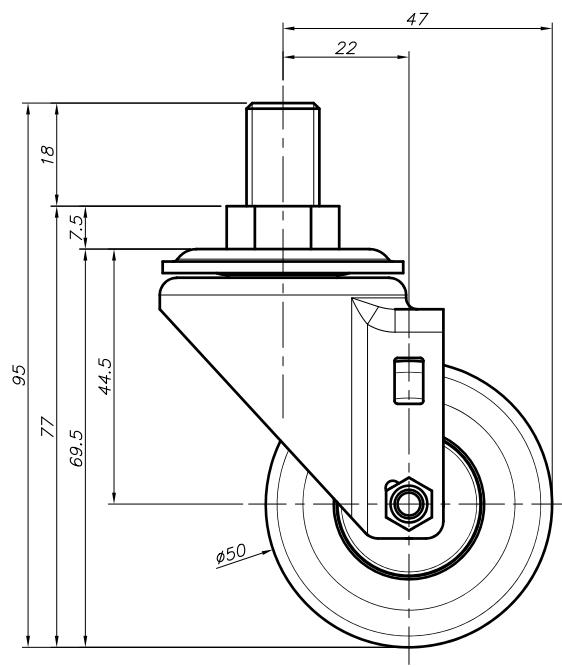
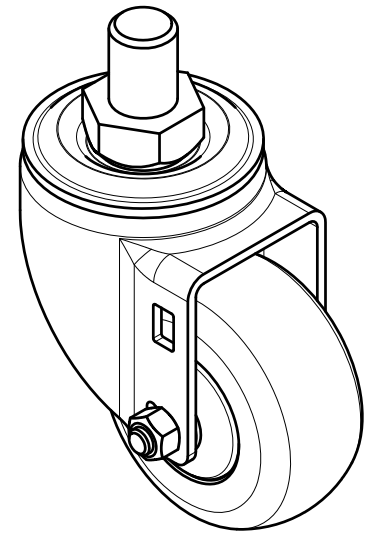
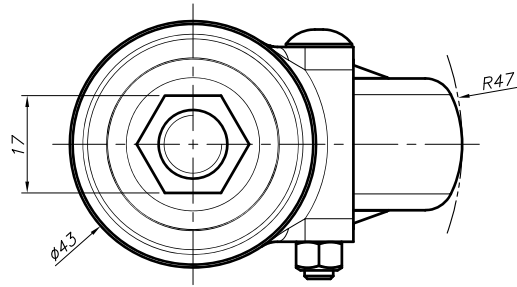
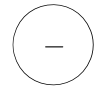


REV. NO.	DATE	DESCRIPTION	APP'D	REMARKS
▲	-	-	-	-



NOTE

※ 1) --

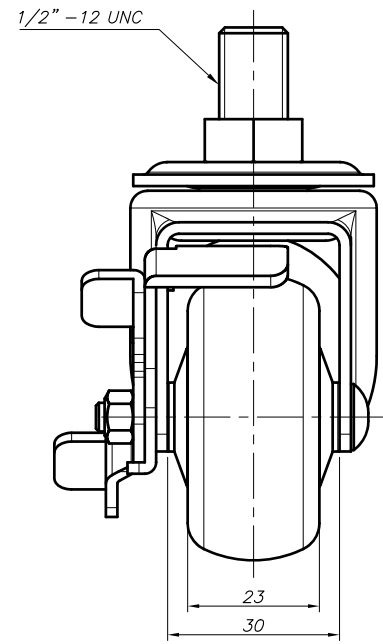
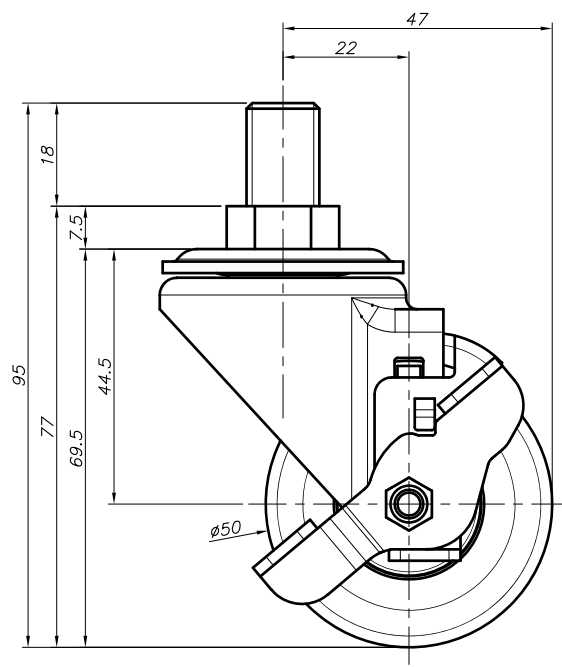
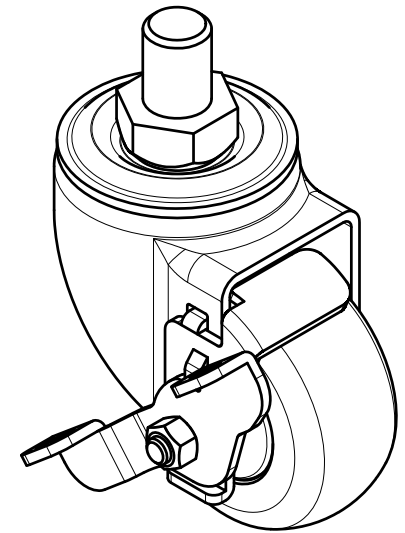
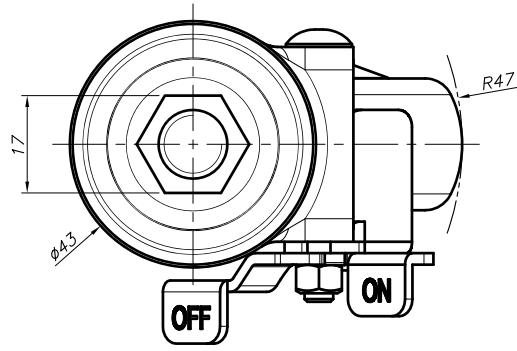
PROCESS		---		GENERAL TOLERANCE																
MATERIAL		---		MACHINING WORKING			DIE CASTING			INJECTION MOLDING			PRESS WORKING							
APPROVED BY		CHECKED BY		DRAWN BY		PRODUCT GENERAL TOLERANCE														
						CASTER HEIGHT			WHEEL OUTER DIAMETER			WHEEL HUB WIDTH			HUB			WHEEL		
O.C.K		J.Y.H		J.Y.S		6-30			6-30			6-30			6-30			6-30		
						30-120			30-120			30-120			30-120			30-120		
						120-400			120-400			120-400			120-400			120-400		
						400-1000			400-1000			400-1000			400-1000			400-1000		

NO.		DESCRIPTION		UNIT	Q'TY	MATERIAL	WEIGHT	SPECIFICATION	REMARKS
---		---		---	---	---	---	---	---

SERIES NAME		GL-SERIES		DATE	2024.01.11	GSN NO.	-		
PRODUCT NAME		GL-50-ASS-EUS		SCALE	1/1	DWG. NO.	-		
PART NAME		ASSEMBLY		WEIGHT	--	REVISION	SIZE	A3	
				GENERAL TOLERANCE	--	ANGLE			

FOOT MASTER G-DOK IND.

REV. NO.	DATE	DESCRIPTION	APP'D	REMARKS
▲	-	-	-	-



NOTE

※1) --

PROCESS		MATERIAL		APPROVED BY		CHECKED BY		DRAWN BY	
---		---		O.C.K		J.Y.H		J.Y.S	

PRODUCT GENERAL TOLERANCE					
CASTER HEIGHT	WHEEL OUTER DIAMETER	WHEEL INNER DIAMETER	WHEEL HUB WIDTH	WHEEL HUB DIAMETER	WHEEL HUB LENGTH
0.5 - 6	±0.05	±0.1	±0.1	±0.1	±0.1
6 - 30	±0.1	±0.2	±0.2	±0.2	±0.2
30 - 120	±0.15	±0.3	±0.3	±0.3	±0.3
120 - 400	±0.2	±0.5	±0.5	±0.5	±0.5
400 - 1000	±0.3	±0.8	±0.8	±0.8	±0.8

GENERAL TOLERANCE		CHAMFER		D.S		ROUND		D.S		UNIT		mm	
FINISH	PRECISION	GENERAL	FINISH	PRECISION	GENERAL	FINISH	PRECISION	GENERAL	FINISH	PRECISION	GENERAL	FINISH	PRECISION
0.5 - 6	±0.05	±0.1	0.5	0.5	0.5	0.5	0.5	0.5	0.5	0.5	0.5	0.5	0.5
6 - 30	±0.1	±0.2	0.5	0.5	0.5	0.5	0.5	0.5	0.5	0.5	0.5	0.5	0.5
30 - 120	±0.15	±0.3	0.5	0.5	0.5	0.5	0.5	0.5	0.5	0.5	0.5	0.5	0.5
120 - 400	±0.2	±0.5	0.5	0.5	0.5	0.5	0.5	0.5	0.5	0.5	0.5	0.5	0.5
400 - 1000	±0.3	±0.8	0.5	0.5	0.5	0.5	0.5	0.5	0.5	0.5	0.5	0.5	0.5

SERIES NAME		DATE		GSN NO.	
GL-SERIES		2024.01.11		-	
PRODUCT NAME		SCALE		DWG. NO.	
GL-50-BSS-EUS		1/1		-	
PART NAME		WEIGHT		REVISION	
ASSEMBLY		--		-	

FOOT MASTER®		FOOMA®		G-DOK IND.	
NO.		DESCRIPTION		REMARKS	
--	--	-		-	

FOOT MASTER G-DOK IND.