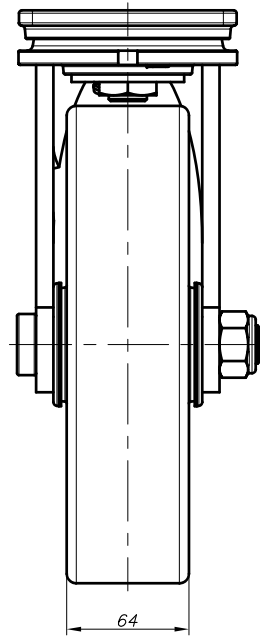
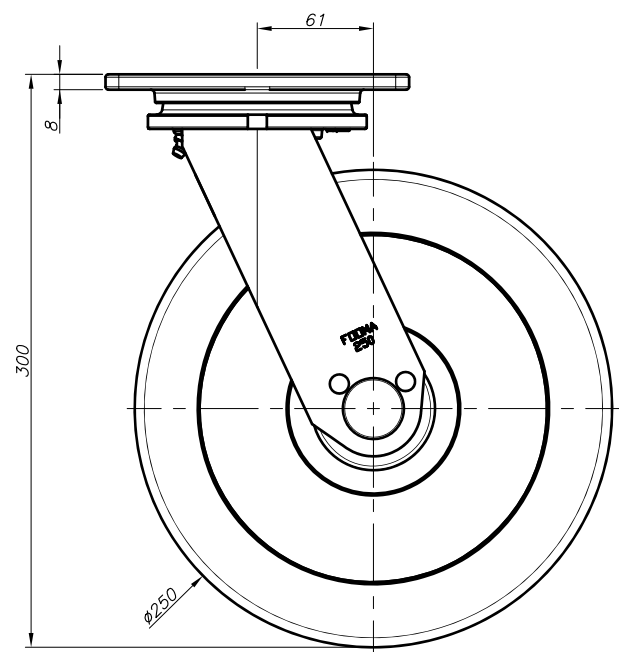
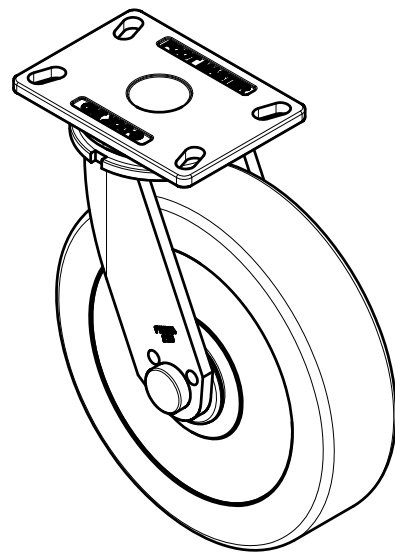
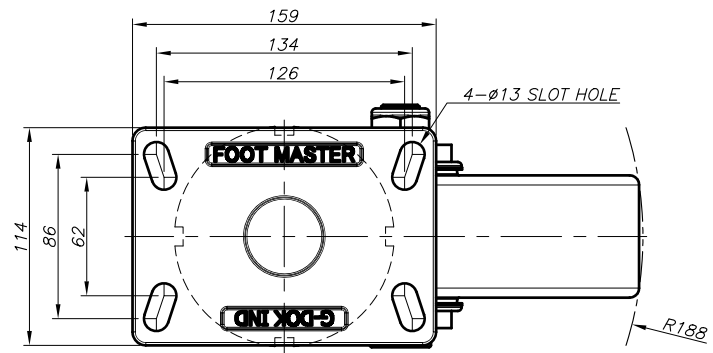


REV. NO.	DATE	DESCRIPTION	APP'D	REMARKS
▲	-	-	-	-



NOTE

※1) --

PROCESS		MATERIAL		APPROVED BY		CHECKED BY		DRAWN BY	
---		---		O.C.K		J.Y.H		S.D.W	

GENERAL TOLERANCE									
MACHINING WORKING		DIE CASTING		INJECTION MOLDING		PRESS WORKING			
FINISH	PRECISION (μ)	GENERAL (μ)	FINISH (μ)	PRECISION (μ)	GENERAL (μ)	FINISH (μ)	PRECISION (μ)	GENERAL (μ)	FINISH (μ)
0.5 - 6	±0.05	±0.1	1-μ	0.05	0.1	1-μ	0.05	0.1	1-μ
6 - 30	±0.1	±0.2	3-μ	0.1	0.2	3-μ	0.1	0.2	3-μ
30 - 120	±0.15	±0.3	5-μ	0.15	0.3	5-μ	0.15	0.3	5-μ
120 - 400	±0.2	±0.5	8-μ	0.2	0.5	8-μ	0.2	0.5	8-μ
400 - 1000	±0.3	±0.8	10-μ	0.3	0.8	10-μ	0.3	0.8	10-μ

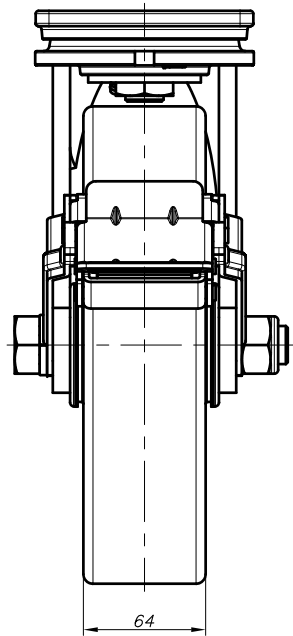
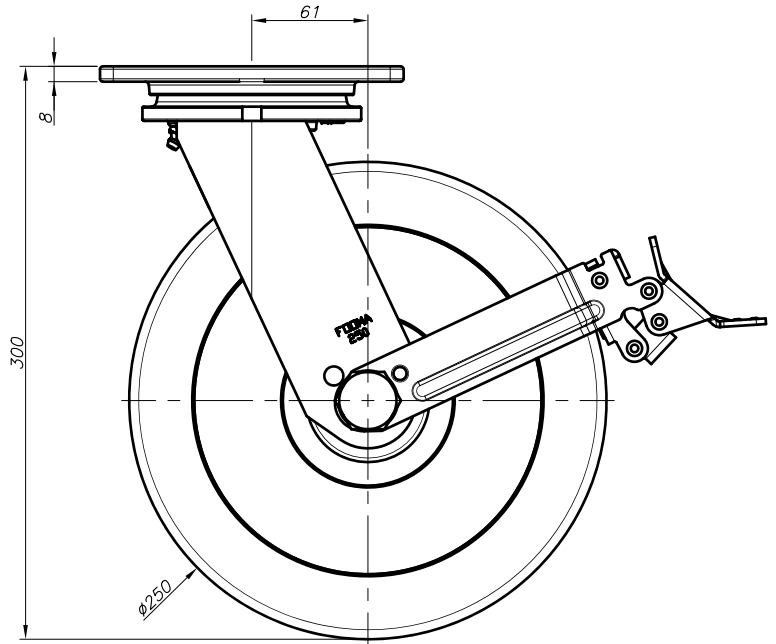
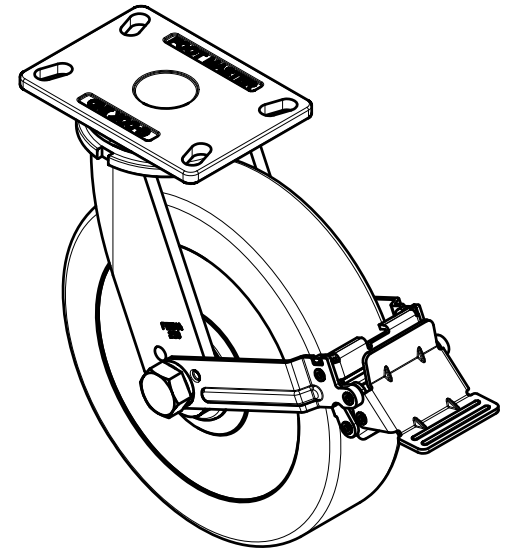
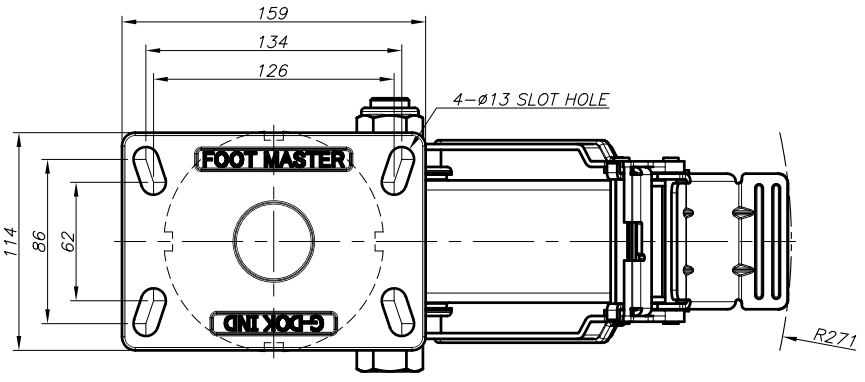
PRODUCT GENERAL TOLERANCE		
CASTER HEIGHT	WHEEL OUTER DIAMETER	WHEEL HUB WIDTH
±0.5K (0.05mm)	±1K (0.1mm)	±0.5K (0.05mm)
±1K (0.1mm)	±1K (0.1mm)	±1K (0.1mm)
±1K (0.1mm)	±1K (0.1mm)	±1K (0.1mm)

NO.	DESCRIPTION	UNIT	Q'TY	MATERIAL	WEIGHT	SPECIFICATION	REMARKS
--	--	--	--	--	--	--	--

FOOT MASTER®		FOOMA®		G-DOK IND.	
SERIES NAME	GF-SERIES	DATE	2023.08.21	GSN NO.	-
PRODUCT NAME	GF-250-ASF-MCD	SCALE	N/S	DWG. NO.	-
PART NAME	ASSEMBLY	WEIGHT	--	REVISION	SIZE A3
GENERAL TOLERANCE		--	ANGLE		

FOOT MASTER G-DOK IND.

REV. NO.	DATE	DESCRIPTION	APP'D	REMARKS
▲	-	-	-	-



NOTE

※1) --

NO.	DESCRIPTION	UNIT	Q'TY	MATERIAL	WEIGHT	SPECIFICATION	REMARKS
--	--	--	--	--	--	--	--

PROCESS		MATERIAL		APPROVED BY		CHECKED BY		DRAWN BY	
---	---	---	---	O.C.K	J.Y.H	S.D.W			

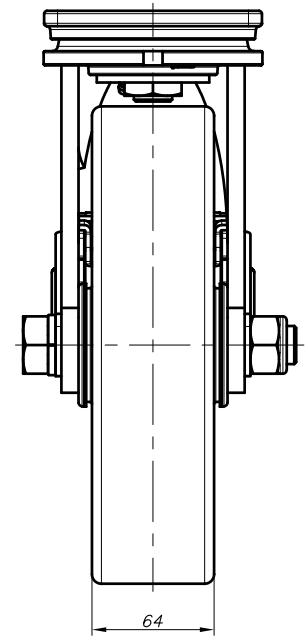
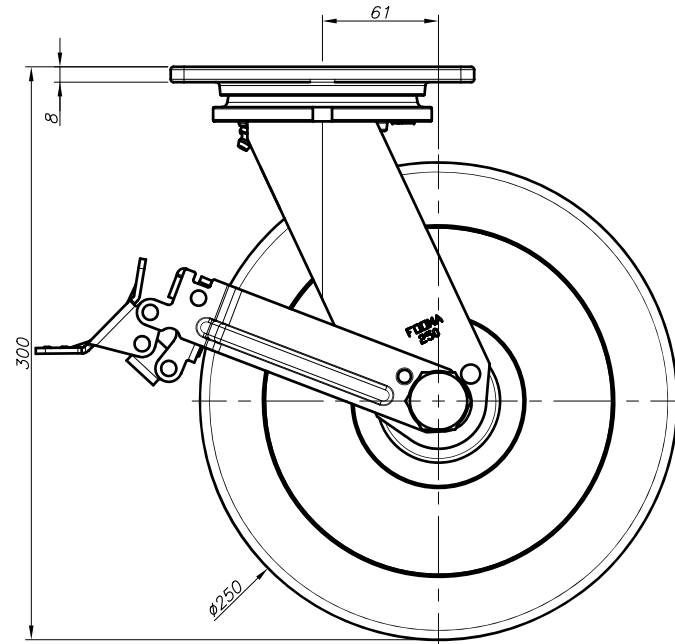
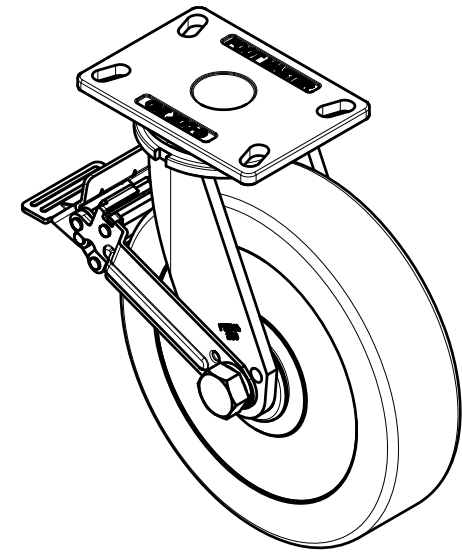
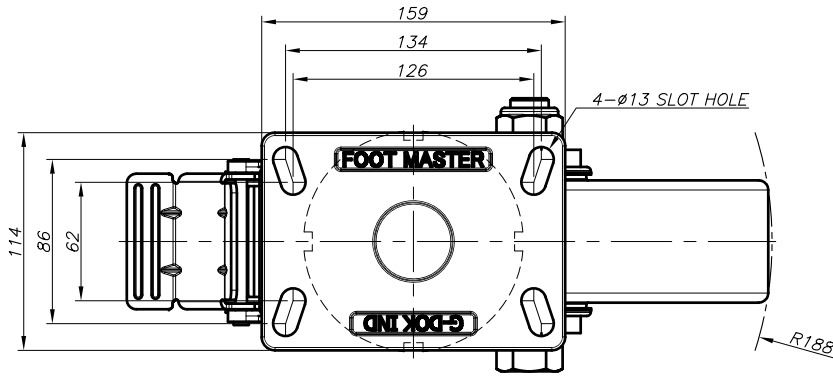
GENERAL TOLERANCE											
MACHINING WORKING			DIE CASTING			INJECTION MOLDING			PRESS WORKING		
FINISH	PRECISION	GENERAL	FINISH	PRECISION	GENERAL	FINISH	PRECISION	GENERAL	FINISH	PRECISION	GENERAL
0.5 - 6	±0.05	±0.1	1-#	±0.1	±0.2	1-#	±0.1	±0.2	1-#	±0.1	±0.2
6 - 30	±0.1	±0.2	2-#	±0.1	±0.3	2-#	±0.1	±0.3	2-#	±0.1	±0.3
30 - 120	±0.15	±0.3	3-#	±0.1	±0.4	3-#	±0.1	±0.4	3-#	±0.1	±0.4
120 - 400	±0.2	±0.5	4-#	±0.1	±0.5	4-#	±0.1	±0.5	4-#	±0.1	±0.5
400 - 1000	±0.3	±0.8	5-#	±0.1	±0.8	5-#	±0.1	±0.8	5-#	±0.1	±0.8

PRODUCT GENERAL TOLERANCE					
CRACKER HEIGHT		WHEEL OUTER DIAMETER		WHEEL HUB WIDTH	
PRECISION	GENERAL	PRECISION	GENERAL	PRECISION	GENERAL
±0.05	±1%	±0.05	±1%	-1%	-2%
(0.05/0.05mm)	(0.05/0.05mm)	(0.05/0.05mm)	(0.05/0.05mm)	(0.05/0.05mm)	(0.05/0.05mm)

SERIES NAME		DATE		GSN NO.	
GF-SERIES		2023.08.21		-	
PRODUCT NAME		SCALE		DWG. NO.	
GF-250-BSF-MCD		N/S		-	
PART NAME		WEIGHT		REVISION	
ASSEMBLY		--		-	
GENERAL TOLERANCE		ANGLE		SIZE	
--		▲		A3	

FOOT MASTER G-DOK IND.

REV. NO.	DATE	DESCRIPTION	APP'D	REMARKS
▲	-	-	-	-



NOTE
 ※1) --

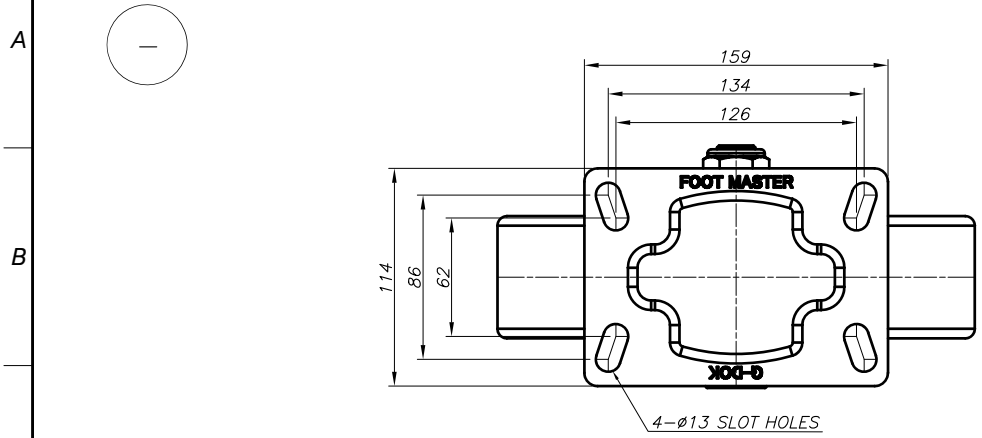
NO.	DESCRIPTION	UNIT	Q'TY	MATERIAL	WEIGHT	SPECIFICATION	REMARKS
--	--	--	--	--	--	--	--

PROCESS			GENERAL TOLERANCE															
MATERIAL			MACHINING WORKING				DIE CASTING				INJECTION MOLDING				PRESS WORKING			
APPROVED BY	CHECKED BY	DRAWN BY	FINISH	PRESION	GENRAL	FINISH	PRESION	GENRAL	FINISH	PRESION	GENRAL	FINISH	PRESION	GENRAL	FINISH	PRESION	GENRAL	
O.C.K	J.Y.H	S.D.W	0.5-6	±0.05	±0.1	1-8	±0.05	±0.1	1-8	±0.05	±0.1	1-8	±0.05	±0.1	1-8	±0.05	±0.1	
			6-30	±0.1	±0.2	10-20	±0.1	±0.2	10-20	±0.1	±0.2	10-20	±0.1	±0.2	10-20	±0.1	±0.2	
			30-120	±0.15	±0.3	10-20	±0.1	±0.2	10-20	±0.1	±0.2	10-20	±0.1	±0.2	10-20	±0.1	±0.2	
			120-400	±0.2	±0.5	10-20	±0.1	±0.2	10-20	±0.1	±0.2	10-20	±0.1	±0.2	10-20	±0.1	±0.2	
			400-1000	±0.3	±0.8	10-20	±0.1	±0.2	10-20	±0.1	±0.2	10-20	±0.1	±0.2	10-20	±0.1	±0.2	

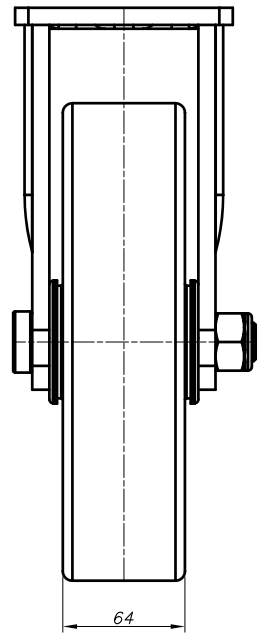
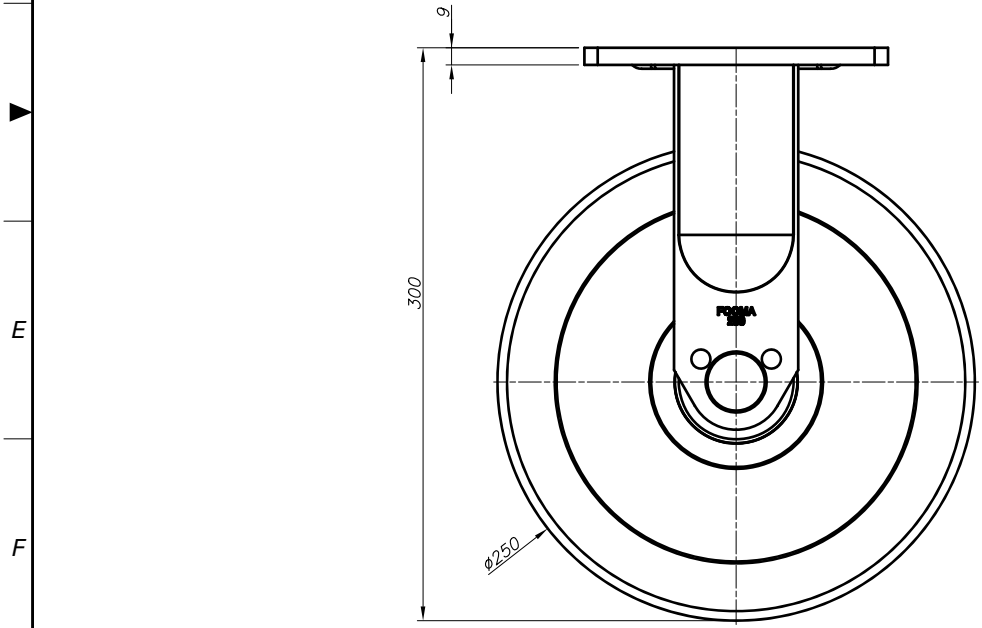
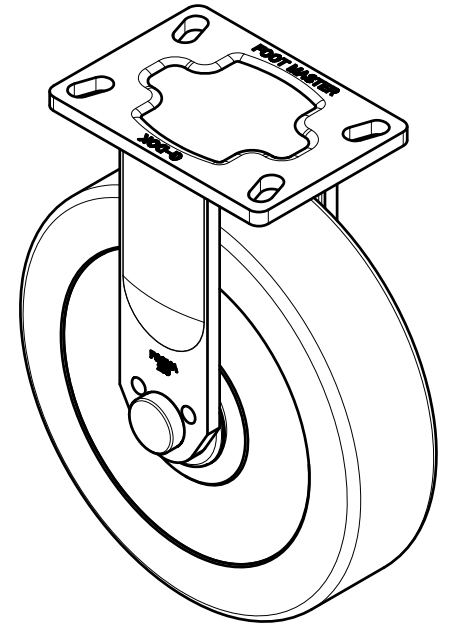
FOOT MASTER®		FOOMA®		G-DOK IND.	
SERIES NAME	GF-SERIES	DATE	2023.08.21	GSN NO.	-
PRODUCT NAME	GF-250-BSF-MCD-FRN	SCALE	N/S	DWG. NO.	-
PART NAME	ASSEMBLY	WEIGHT	--	REVISION	SIZE A3
		GENERAL TOLERANCE	--	ANGLE	▲

FOOT MASTER G-DOK IND.

REV. NO.	DATE	DESCRIPTION	APP'D	REMARKS
▲	-	-	-	-



4-φ13 SLOT HOLES



NOTE

※1) --

NO.	DESCRIPTION	UNIT	Q'TY	MATERIAL	WEIGHT	SPECIFICATION	REMARKS
--	--	--	--	--	--	--	--

PROCESS		MATERIAL		APPROVED BY		CHECKED BY		DRAWN BY	
---		---		O.C.K		J.Y.H		S.D.W	

GENERAL TOLERANCE											
MACHINING WORKING			DIE CASTING			INJECTION MOLDING			PRESS WORKING		
FINISH	PRECISION (μ)	GENERAL (μ)	FINISH (μ)	PRECISION (μ)	GENERAL (μ)	FINISH (μ)	PRECISION (μ)	GENERAL (μ)	FINISH (μ)	PRECISION (μ)	GENERAL (μ)
0.5 - 6	±0.05	±0.1	1-10	±0.1	±0.2	1-10	±0.1	±0.2	1-10	±0.1	±0.2
6 - 30	±0.1	±0.2	30 - 120	±0.15	±0.3	30 - 120	±0.15	±0.3	30 - 120	±0.15	±0.3
120 - 400	±0.2	±0.5	400 - 1000	±0.3	±0.8	120 - 400	±0.2	±0.5	400 - 1000	±0.3	±0.8

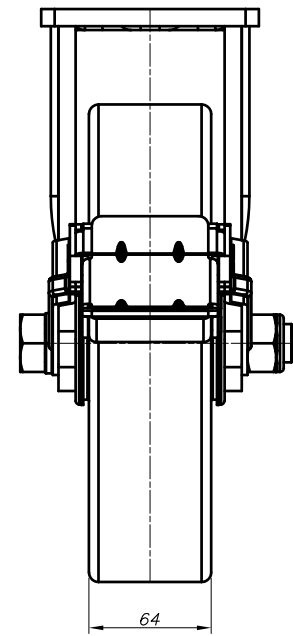
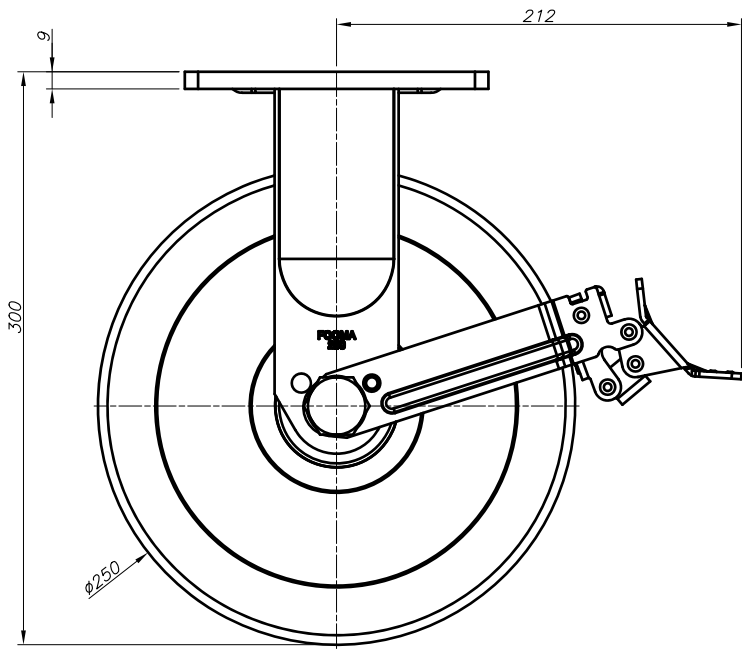
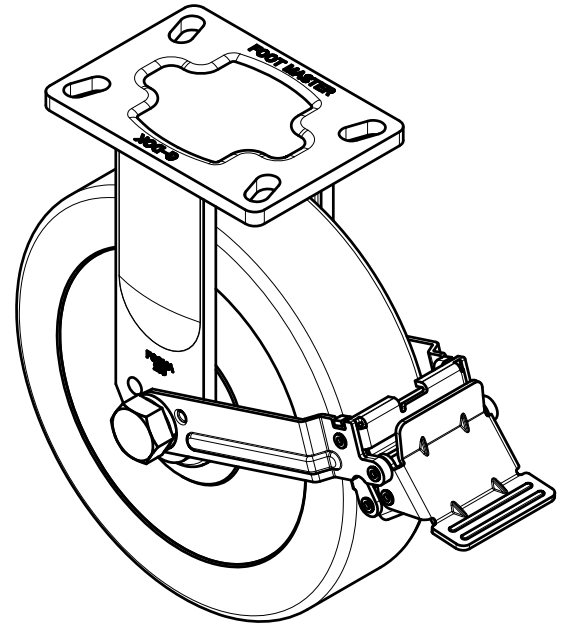
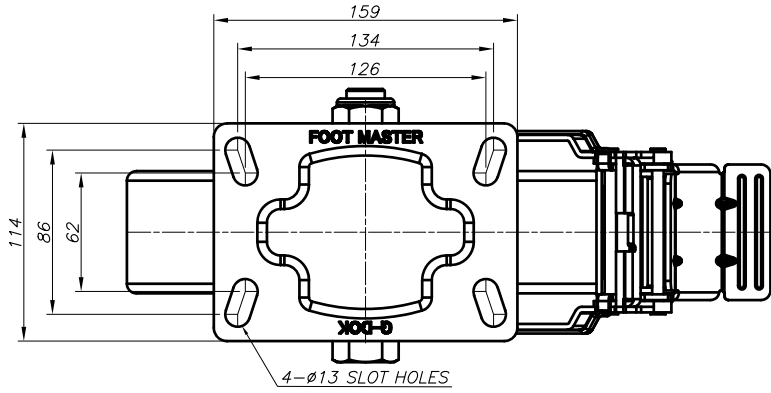
PRODUCT GENERAL TOLERANCE			
CASTER HEIGHT	WHEEL OUTER DIAMETER	WHEEL HUB WIDTH	WHEEL HUB BORE
±0.5K (MIN:0.5mm)	±1K (MIN:1mm)	±0.5K (MIN:0.5mm)	±1K (MIN:1mm)

SERIES NAME		DATE		GSN NO.	
GF-SERIES		2023.08.21		-	
PRODUCT NAME		SCALE		DWG. NO.	
GF-250-ARF-MCD		N/S		-	
PART NAME		WEIGHT		REVISION	
ASSEMBLY		--		-	

FOOT MASTER®		FOOMA®		G-DOK IND.	
GENERAL TOLERANCE		--		ANGLE	

FOOT MASTER G-DOK IND.

REV. NO.	DATE	DESCRIPTION	APP'D	REMARKS
▲	-	-	-	-



NOTE

※1) --

NO.	DESCRIPTION	UNIT	Q'TY	MATERIAL	WEIGHT	SPECIFICATION	REMARKS
--	--	--	--	--	--	--	--

PROCESS		MATERIAL		APPROVED BY		CHECKED BY		DRAWN BY	
---	---	---	---	O.C.K	J.Y.H	S.D.W			

GENERAL TOLERANCE											
MACHINING WORKING			DIE CASTING			INJECTION MOLDING			PRESS WORKING		
MINI	PRECISION	GENERAL	MINI	PRECISION	GENERAL	MINI	PRECISION	GENERAL	MINI	PRECISION	GENERAL
0.5 - 6	±0.05	±0.1	0.5 - 6	±0.1	±0.2	0.5 - 6	±0.1	±0.2	0.5 - 6	±0.1	±0.2
6 - 30	±0.1	±0.2	6 - 30	±0.15	±0.3	6 - 30	±0.1	±0.2	6 - 30	±0.1	±0.2
30 - 120	±0.15	±0.3	30 - 120	±0.2	±0.4	30 - 120	±0.1	±0.2	30 - 120	±0.1	±0.2
120 - 400	±0.2	±0.5	120 - 400	±0.3	±0.6	120 - 400	±0.1	±0.2	120 - 400	±0.1	±0.2
400 - 1000	±0.3	±0.8	400 - 1000	±0.4	±1.0	400 - 1000	±0.1	±0.2	400 - 1000	±0.1	±0.2

PRODUCT GENERAL TOLERANCE		
CASTER HEIGHT	WHEEL OUTER DIAMETER	WHEEL HUB WIDTH
±0.5K (MIN±0.3mm)	±1K (MIN±0.5mm)	±0.5K (MIN±0.3mm)
±1K (MIN±0.5mm)	±1K (MIN±0.5mm)	±0.5K (MIN±0.3mm)
±1K (MIN±0.5mm)	±1K (MIN±0.5mm)	±0.5K (MIN±0.3mm)
±1K (MIN±0.5mm)	±1K (MIN±0.5mm)	±0.5K (MIN±0.3mm)
±1K (MIN±0.5mm)	±1K (MIN±0.5mm)	±0.5K (MIN±0.3mm)
±1K (MIN±0.5mm)	±1K (MIN±0.5mm)	±0.5K (MIN±0.3mm)
±1K (MIN±0.5mm)	±1K (MIN±0.5mm)	±0.5K (MIN±0.3mm)
±1K (MIN±0.5mm)	±1K (MIN±0.5mm)	±0.5K (MIN±0.3mm)
±1K (MIN±0.5mm)	±1K (MIN±0.5mm)	±0.5K (MIN±0.3mm)

SERIES NAME		DATE		GSN NO.	
GF-SERIES		2023.08.21		-	
PRODUCT NAME		SCALE		DWG. NO.	
GF-250-BRF-MCD		N/S		-	
PART NAME		WEIGHT		REVISION	
ASSEMBLY		--		-	
GENERAL TOLERANCE		ANGLE		SIZE	
--		▲		A3	

FOOT MASTER G-DOK IND.