

FOOT MASTER<sup>®</sup>

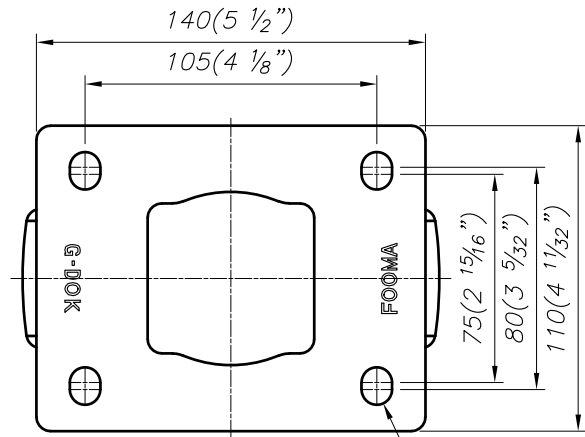
FOOMA<sup>®</sup>

 G-DOK IND.

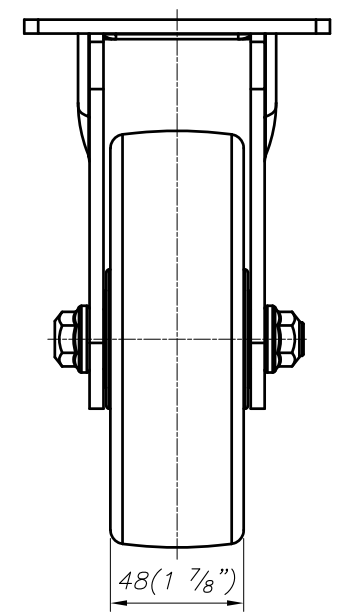
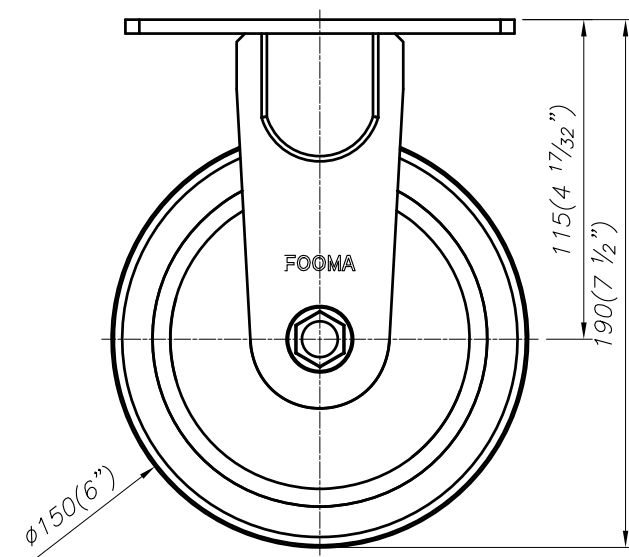
MODEL NAME

PMW-150-BSF-NYD

FOOT MASTER G-DOK IND.



4- $\phi 11(7/16)$  SLOT HOLES  
FOR M10 BOLT



FOOT MASTER<sup>®</sup>

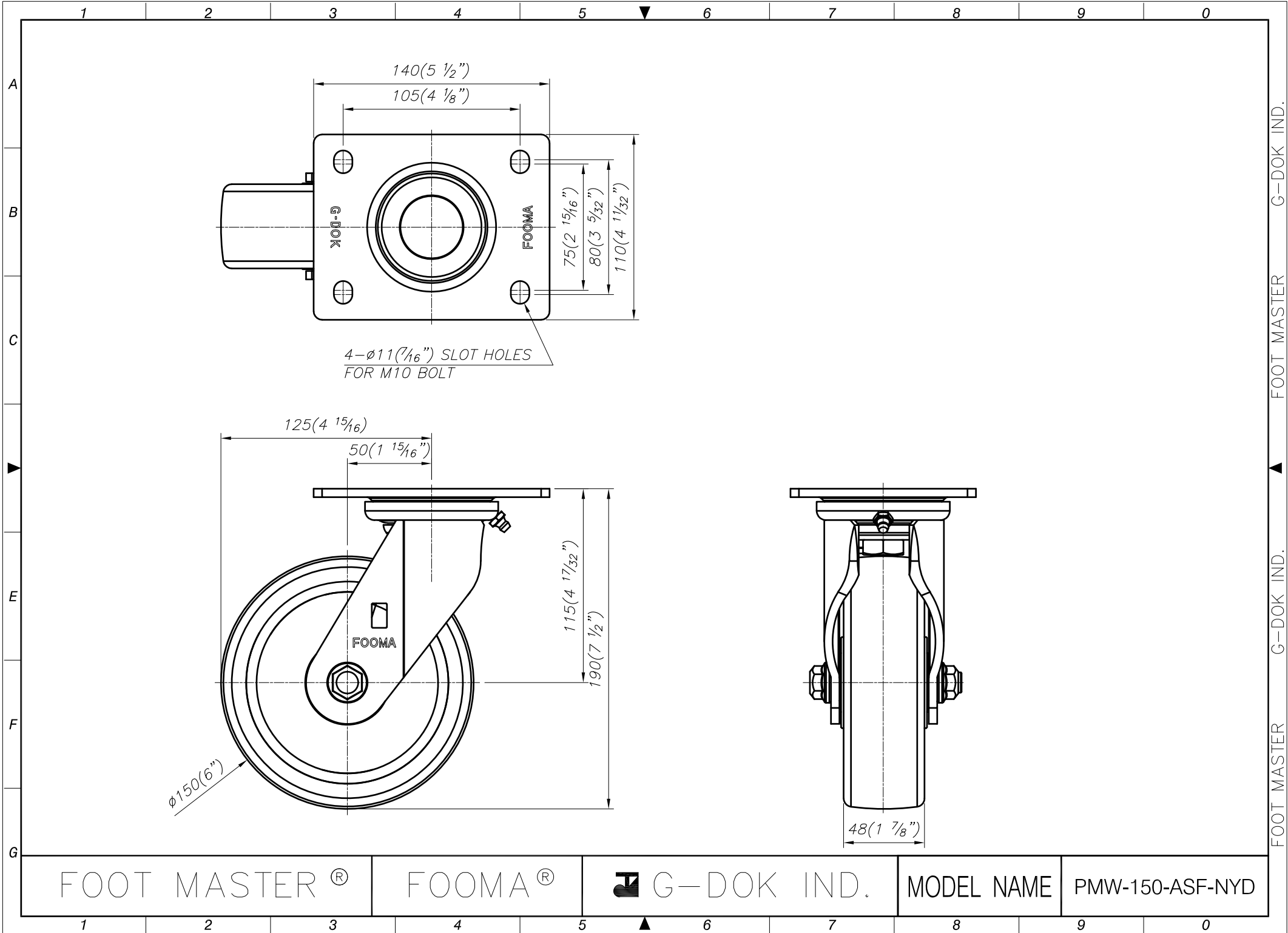
FOOMA<sup>®</sup>

 G-DOK IND.

MODEL NAME

PMW-150-ARF-NYD

FOOT MASTER G-DOK IND. FOOT MASTER G-DOK IND.



FOOT MASTER G-DOK IND.    FOOT MASTER G-DOK IND.