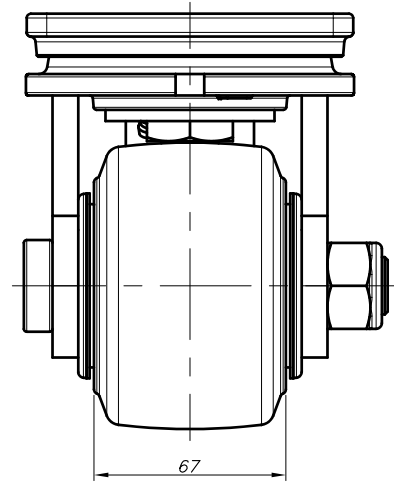
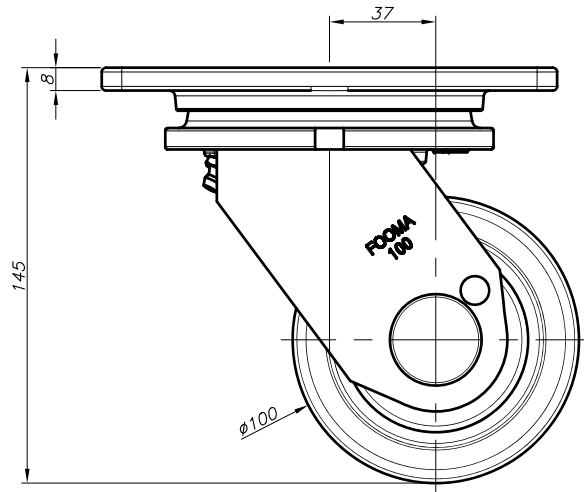
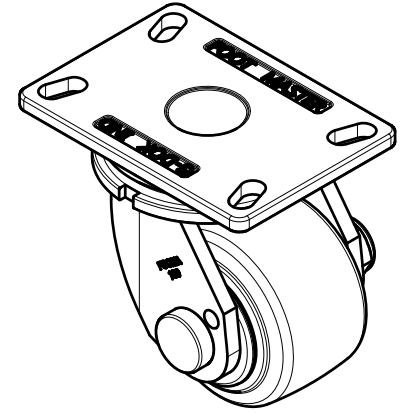
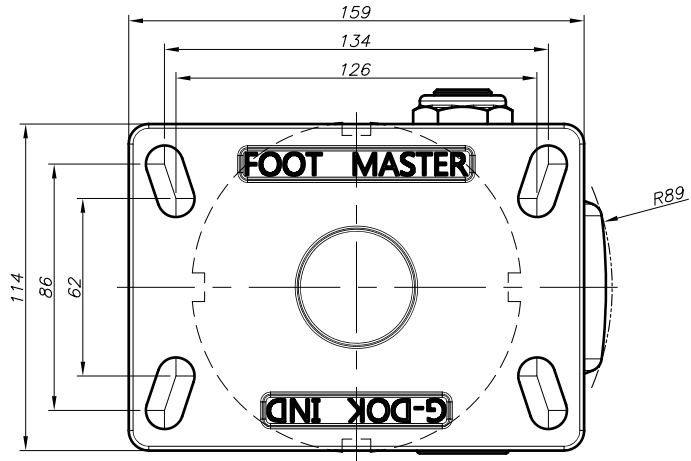


REV. NO.	DATE	DESCRIPTION	APP'D	REMARKS
▲	-	-	-	-



NOTE

※ 1) --

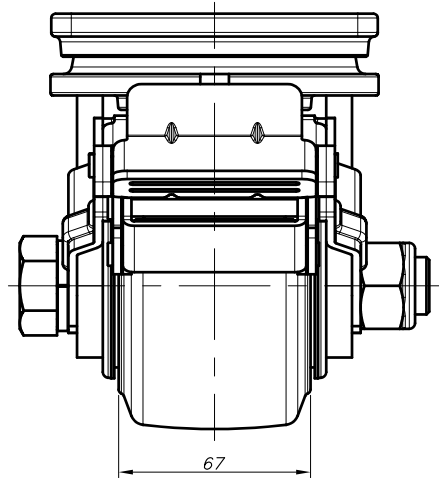
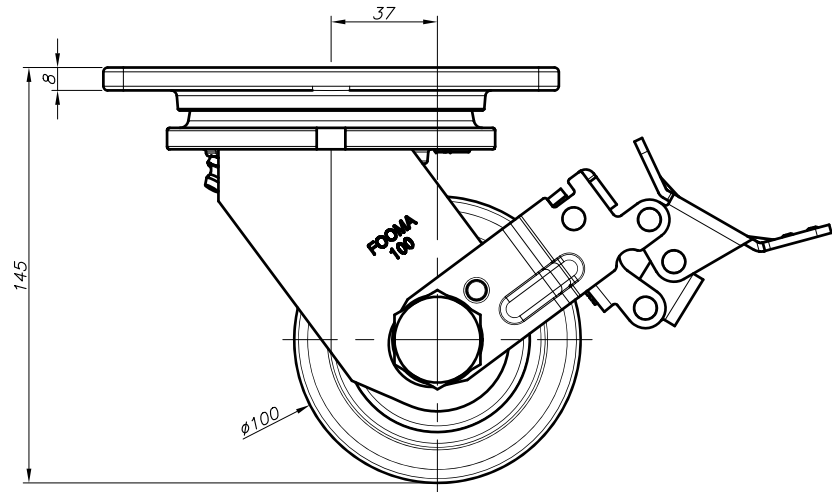
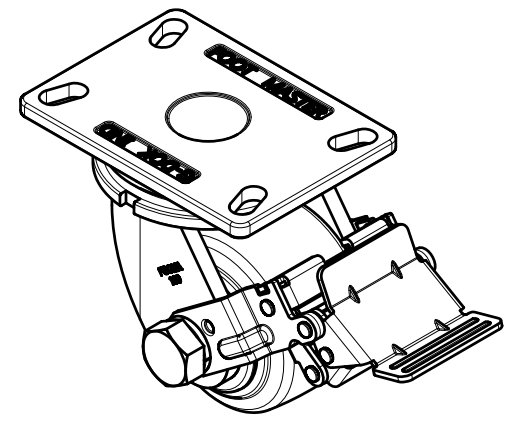
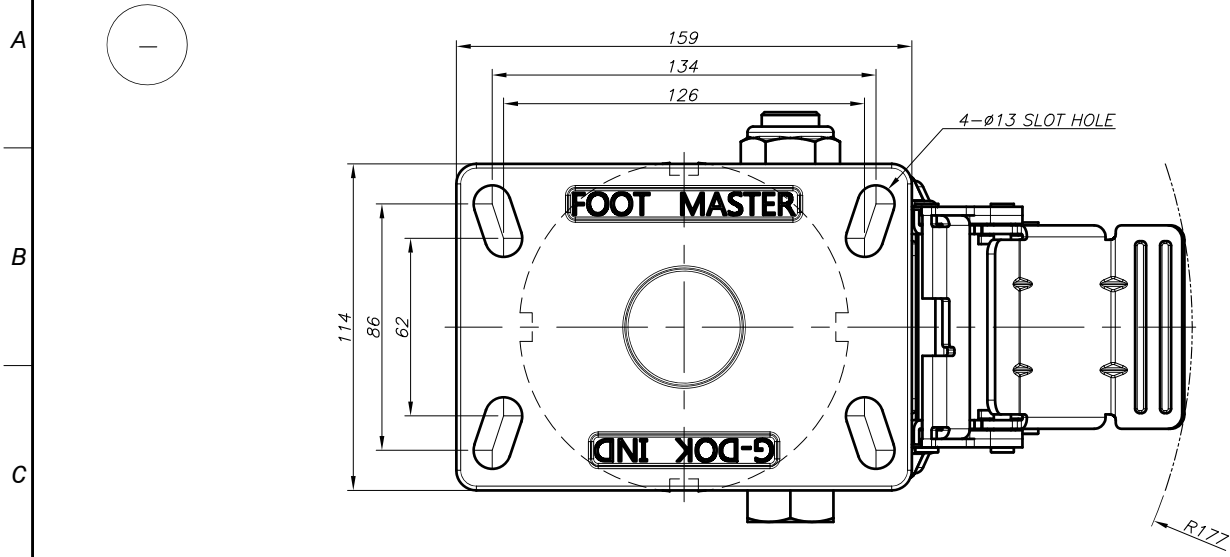
--	--	-	-	-	-	-	-	-
NO.	DESCRIPTION	UNIT	Q'TY	MATERIAL	WEIGHT	SPECIFICATION	REMARKS	

PROCESS	---									
MATERIAL	---									
APPROVED BY	CHECKED BY	DRAWN BY	---							
O.C.K	J.Y.H	S.D.W	---							
PRODUCT GENERAL TOLERANCE			CASTER HEIGHT		WHEEL OUTER DIAMETER		WHEEL HUB WIDTH		WHEEL HUB BORE	
PRECISION	GENERAL	PRECISION	GENERAL	PRECISION	GENERAL	PRECISION	GENERAL	PRECISION	GENERAL	PRECISION
±0.05	±1% (MIN:0.05mm)	±0.05	±1% (MIN:0.5mm)	±0.05	±0.05	±0.05	±0.05	±0.05	±0.05	±0.05
±0.05	±1% (MIN:0.05mm)	±0.05	±1% (MIN:0.5mm)	±0.05	±0.05	±0.05	±0.05	±0.05	±0.05	±0.05
±0.05	±1% (MIN:0.05mm)	±0.05	±1% (MIN:0.5mm)	±0.05	±0.05	±0.05	±0.05	±0.05	±0.05	±0.05
±0.05	±1% (MIN:0.05mm)	±0.05	±1% (MIN:0.5mm)	±0.05	±0.05	±0.05	±0.05	±0.05	±0.05	±0.05

FOOT MASTER®		FOOMA®		G-DOK IND.	
SERIES NAME	GF-SERIES	DATE	2023.08.21	GSN NO.	-
PRODUCT NAME	GF-100-ASF-MUD	SCALE	N/S	DWG. NO.	-
PART NAME	ASSEMBLY	WEIGHT	--	REVISION	
		GENERAL TOLERANCE	--	ANGLE	▲

FOOT MASTER G-DOK IND.

REV. NO.	DATE	DESCRIPTION	APP'D	REMARKS
1	-	-	-	-



NOTE

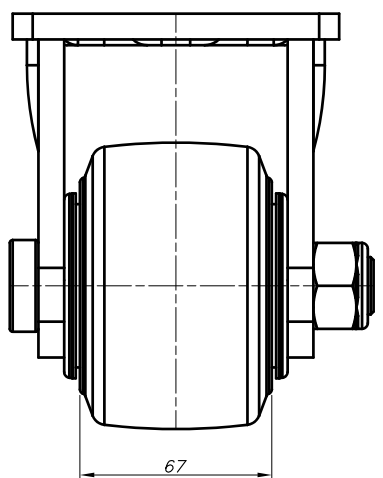
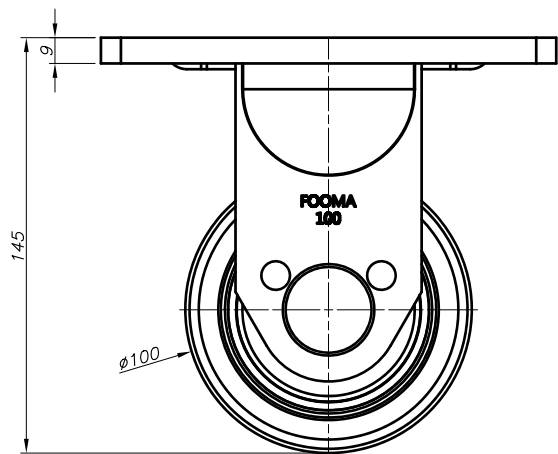
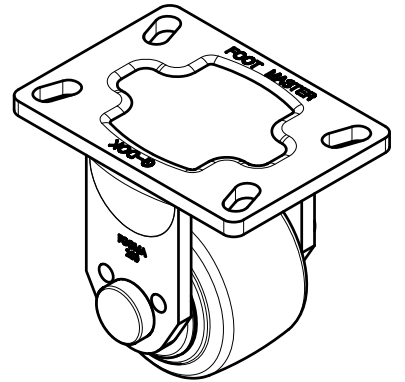
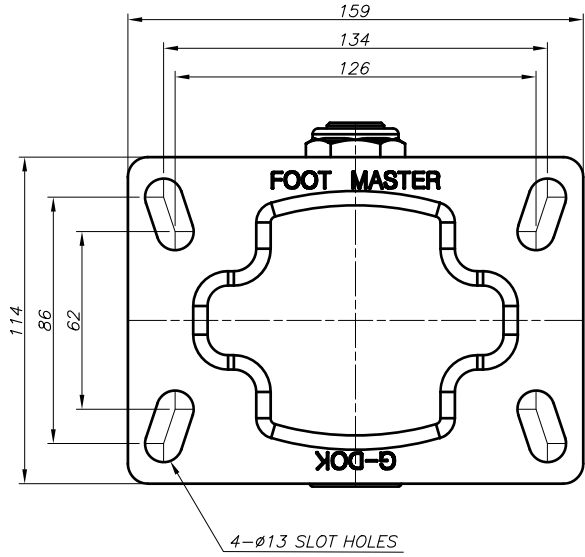
※1) --

NO.	DESCRIPTION	UNIT	Q'TY	MATERIAL	WEIGHT	SPECIFICATION	REMARKS
--	--	--	--	--	--	--	--

PROCESS	---																																				
MATERIAL	---																																				
APPROVED BY	O.C.K																																				
CHECKED BY	J.Y.H																																				
DRAWN BY	S.D.W																																				
<table border="1"> <thead> <tr> <th colspan="6">PRODUCT GENERAL TOLERANCE</th> </tr> <tr> <th>CASTER HEIGHT</th> <th>WHEEL OUTER DIAMETER</th> <th>WHEEL HUB WIDTH</th> <th>PRECISION</th> <th>GENERAL</th> <th>PRECISION</th> </tr> </thead> <tbody> <tr> <td>6-30</td> <td>±0.1</td> <td>±0.2</td> <td>H8</td> <td>H7</td> <td>H8</td> </tr> <tr> <td>30-120</td> <td>±0.15</td> <td>±0.3</td> <td>H8</td> <td>H7</td> <td>H8</td> </tr> <tr> <td>120-400</td> <td>±0.2</td> <td>±0.5</td> <td>H8</td> <td>H7</td> <td>H8</td> </tr> <tr> <td>400-1000</td> <td>±0.3</td> <td>±0.8</td> <td>H8</td> <td>H7</td> <td>H8</td> </tr> </tbody> </table>		PRODUCT GENERAL TOLERANCE						CASTER HEIGHT	WHEEL OUTER DIAMETER	WHEEL HUB WIDTH	PRECISION	GENERAL	PRECISION	6-30	±0.1	±0.2	H8	H7	H8	30-120	±0.15	±0.3	H8	H7	H8	120-400	±0.2	±0.5	H8	H7	H8	400-1000	±0.3	±0.8	H8	H7	H8
PRODUCT GENERAL TOLERANCE																																					
CASTER HEIGHT	WHEEL OUTER DIAMETER	WHEEL HUB WIDTH	PRECISION	GENERAL	PRECISION																																
6-30	±0.1	±0.2	H8	H7	H8																																
30-120	±0.15	±0.3	H8	H7	H8																																
120-400	±0.2	±0.5	H8	H7	H8																																
400-1000	±0.3	±0.8	H8	H7	H8																																

FOOT MASTER®		FOOMA®		G-DOK IND.	
SERIES NAME	GF-SERIES	DATE	2023.08.21	GSN NO.	-
PRODUCT NAME	GF-100-BSF-MUD	SCALE	N/S	DWG. NO.	-
PART NAME	ASSEMBLY	WEIGHT	--	REVISION	SIZE A3
GENERAL TOLERANCE		--		ANGLE	⊕ ⊖

REV. NO.	DATE	DESCRIPTION	APP'D	REMARKS
▲	-	-	-	-



NOTE
 ※ 1) --

PROCESS		---	
MATERIAL		---	
APPROVED BY	CHECKED BY	DRAWN BY	
O.C.K	J.Y.H	S.D.W	

GENERAL TOLERANCE				CHAMFER	0.5	ROUND	0.5	UNIT	mm
MACHINING WORKING		DIE CASTING		INJECTION MOLDING		PRESS WORKING			
FINISH	PRECISION	GENERAL	FINISH	PRECISION	GENERAL	FINISH	PRECISION	GENERAL	FINISH
0.5 - 6	±0.05	±0.1	1-#	0.5	0.5	1-#	0.5	0.5	1-#
6 - 30	±0.1	±0.2	2-#	0.5	0.5	2-#	0.5	0.5	2-#
30 - 120	±0.15	±0.3	3-#	0.5	0.5	3-#	0.5	0.5	3-#
120 - 400	±0.2	±0.5	4-#	0.5	0.5	4-#	0.5	0.5	4-#
400 - 1000	±0.3	±0.8	5-#	0.5	0.5	5-#	0.5	0.5	5-#

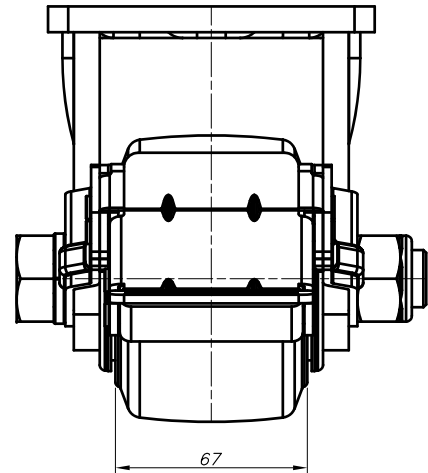
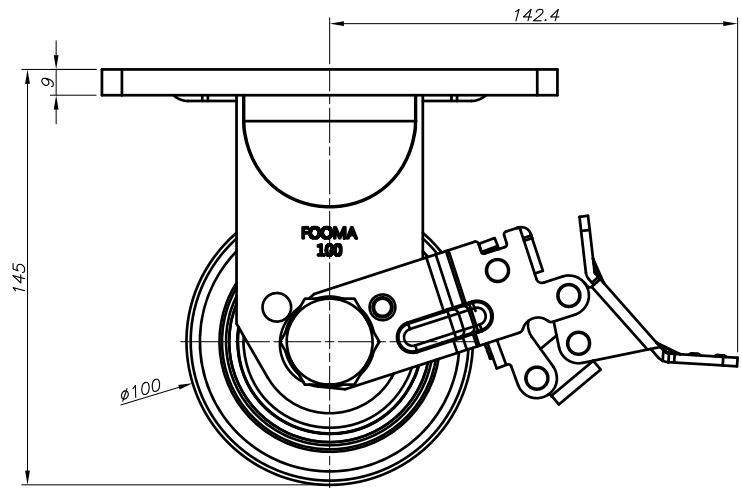
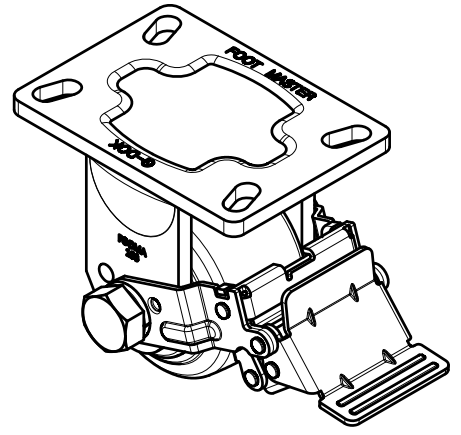
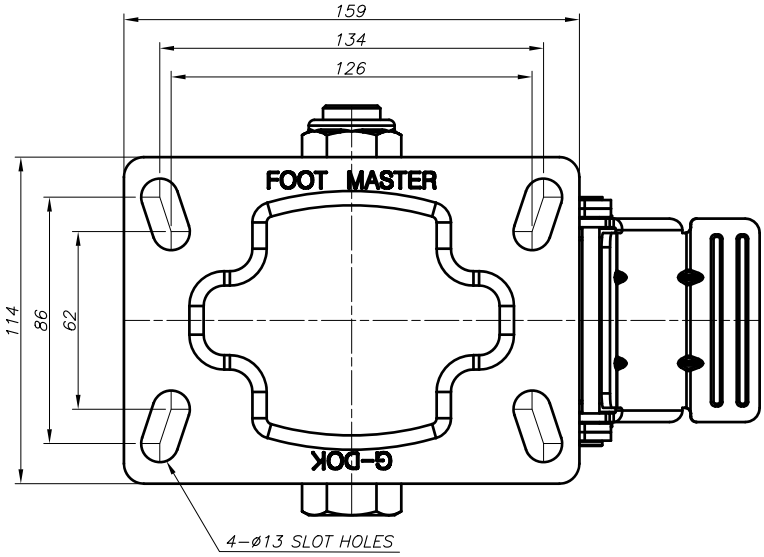
PRODUCT GENERAL TOLERANCE			
CASTER HEIGHT	WHEEL OUTER DIAMETER	WHEEL HUB WIDTH	WHEEL HUB BORE
±0.5K (0.015mm)	±1K (0.025mm)	±0.5K (0.015mm)	±0.1K (0.025mm)
±0.5K (0.015mm)	±1K (0.025mm)	±0.5K (0.015mm)	±0.1K (0.025mm)
±0.5K (0.015mm)	±1K (0.025mm)	±0.5K (0.015mm)	±0.1K (0.025mm)

NO.	DESCRIPTION	UNIT	Q'TY	MATERIAL	WEIGHT	SPECIFICATION	REMARKS
--	--	-	-	-	-	-	-

FOOT MASTER®		FOOMA®		G-DOK IND.	
SERIES NAME	GF-SERIES	DATE	2023.08.21	GSN NO.	-
PRODUCT NAME	GF-100-ARF-MUD	SCALE	N/S	DWG. NO.	-
PART NAME	ASSEMBLY	WEIGHT	--	REVISION	SIZE A3
		GENERAL TOLERANCE	--	ANGLE	▲

FOOT MASTER G-DOK IND.

REV. NO.	DATE	DESCRIPTION	APP'D	REMARKS
▲	-	-	-	-



NOTE
 ※1) --

PROCESS	---	GENERAL TOLERANCE													
MATERIAL	---	MACHINING WORKING			DIE CASTING			INJECTION MOLDING			PRESS WORKING				
APPROVED BY	CHECKED BY	DRAWN BY	PRODUCT GENERAL TOLERANCE												
O.C.K	J.Y.H	S.D.W	CASTER HEIGHT	WHEEL OUTER DIAMETER	WHEEL HUB WIDTH	PRECISION	GENERAL	PRECISION	GENERAL	PRECISION	GENERAL	PRECISION	GENERAL	PRECISION	GENERAL
			±0.05	±0.1	±0.1	0.5-6	±0.05	±0.1	0.5-6	±0.05	±0.1	0.5-6	±0.05	±0.1	0.5-6
			±0.05	±0.1	±0.1	6-30	±0.1	±0.2	0.5-6	±0.1	±0.2	0.5-6	±0.1	±0.2	0.5-6
			±0.05	±0.1	±0.1	30-120	±0.15	±0.3	0.5-6	±0.15	±0.3	0.5-6	±0.15	±0.3	0.5-6
			±0.05	±0.1	±0.1	120-400	±0.2	±0.5	0.5-6	±0.2	±0.5	0.5-6	±0.2	±0.5	0.5-6
			±0.05	±0.1	±0.1	400-1000	±0.3	±0.8	0.5-6	±0.3	±0.8	0.5-6	±0.3	±0.8	0.5-6

NO.	DESCRIPTION	UNIT	Q'TY	MATERIAL	WEIGHT	SPECIFICATION	REMARKS
--	--	--	--	--	--	--	--
FOOT MASTER®			FOOMA®			G-DOK IND.	
SERIES NAME	GF-SERIES	DATE	2023.08.21	GSN NO.	-		
PRODUCT NAME	GF-100-BRF-MUD	SCALE	N/S	DWG. NO.	-		
PART NAME	ASSEMBLY	WEIGHT	--	REVISION	SIZE	A3	
		GENERAL TOLERANCE	--	ANGLE			

FOOT MASTER G-DOK IND.