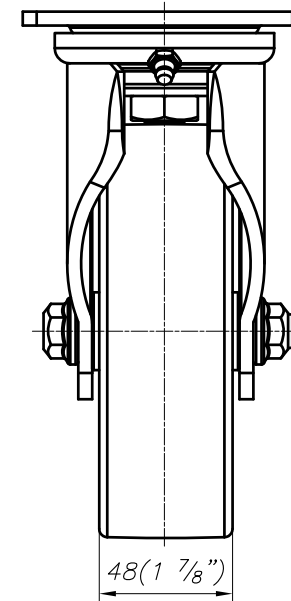
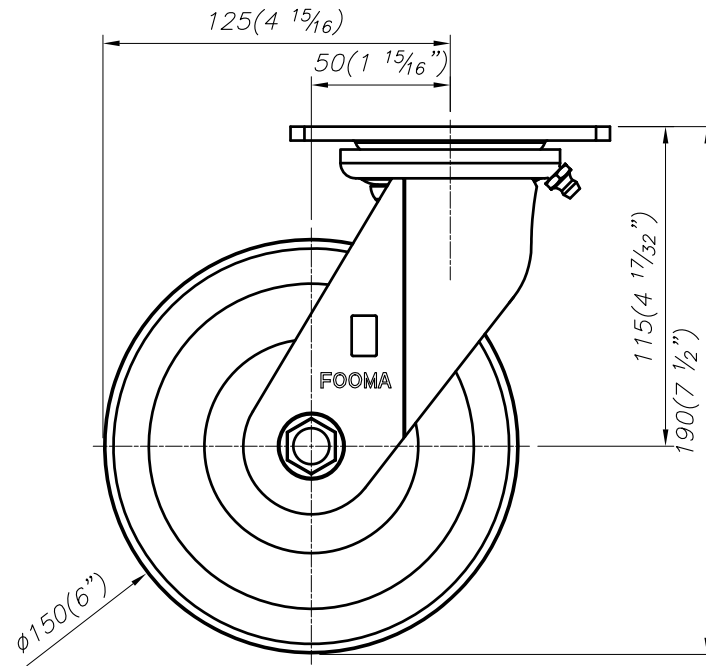


4- $\phi 11(\frac{7}{16})$ SLOT HOLES
FOR M10 BOLT



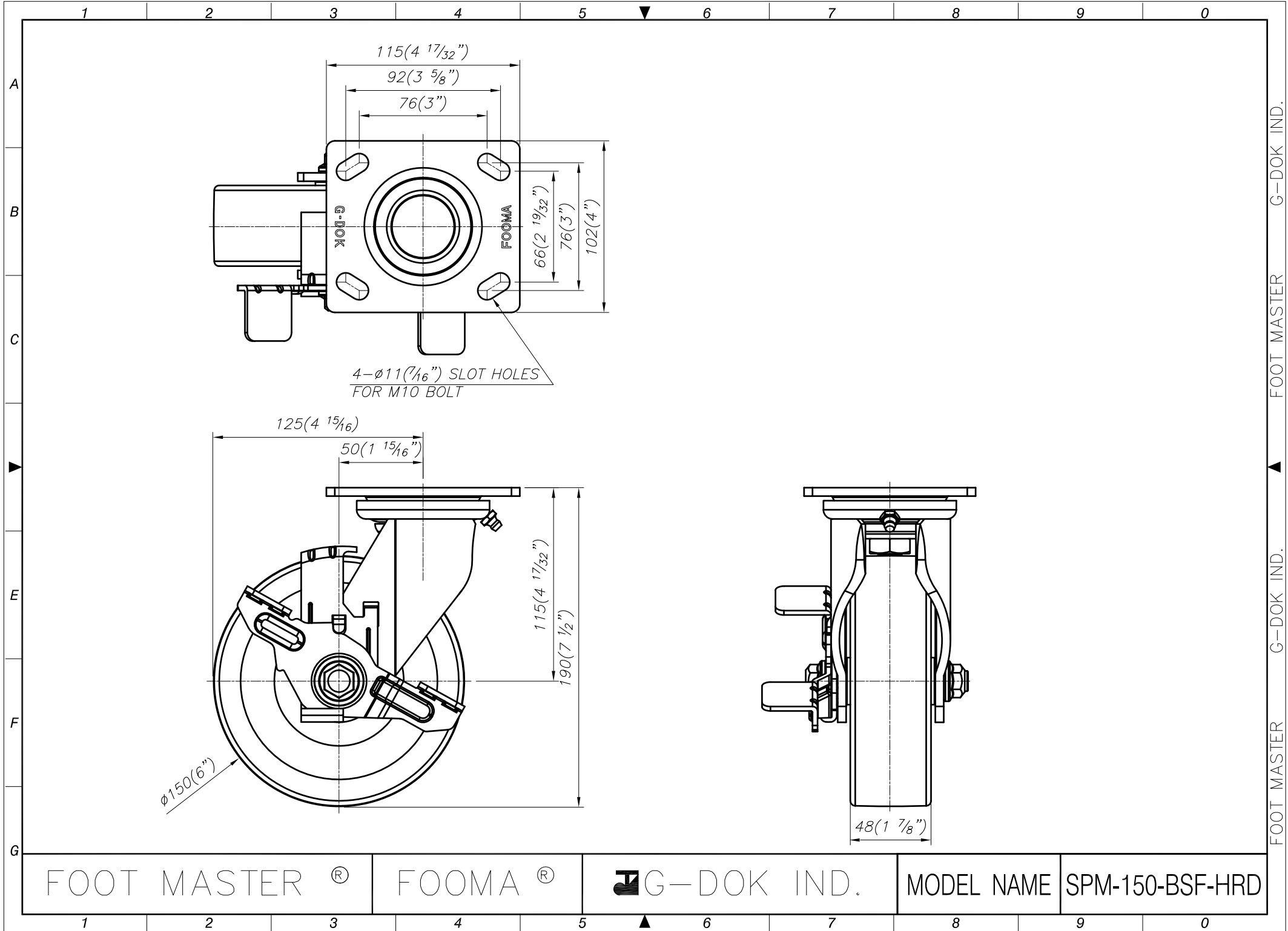
FOOT MASTER[®]

FOOMA[®]

G-DOK IND.

MODEL NAME SPM-150-ASF-HRD

FOOT MASTER G-DOK IND. FOOT MASTER G-DOK IND.

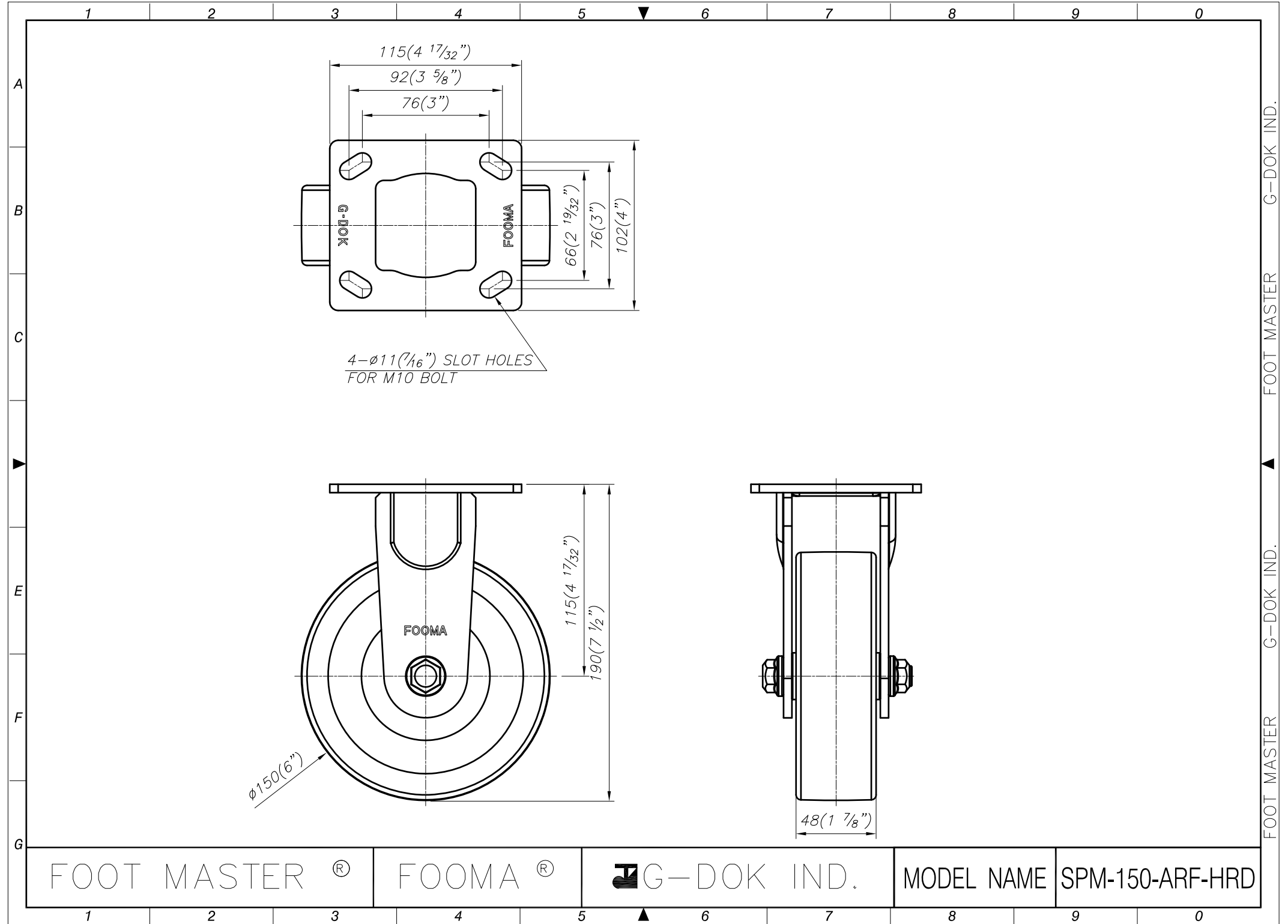


G-DOK IND.

FOOT MASTER

G-DOK IND.

FOOT MASTER



FOOT MASTER[®]

FOOMA[®]

G-DOK IND.

MODEL NAME SPM-150-ARF-HRD

FOOT MASTER G-DOK IND. FOOT MASTER G-DOK IND.