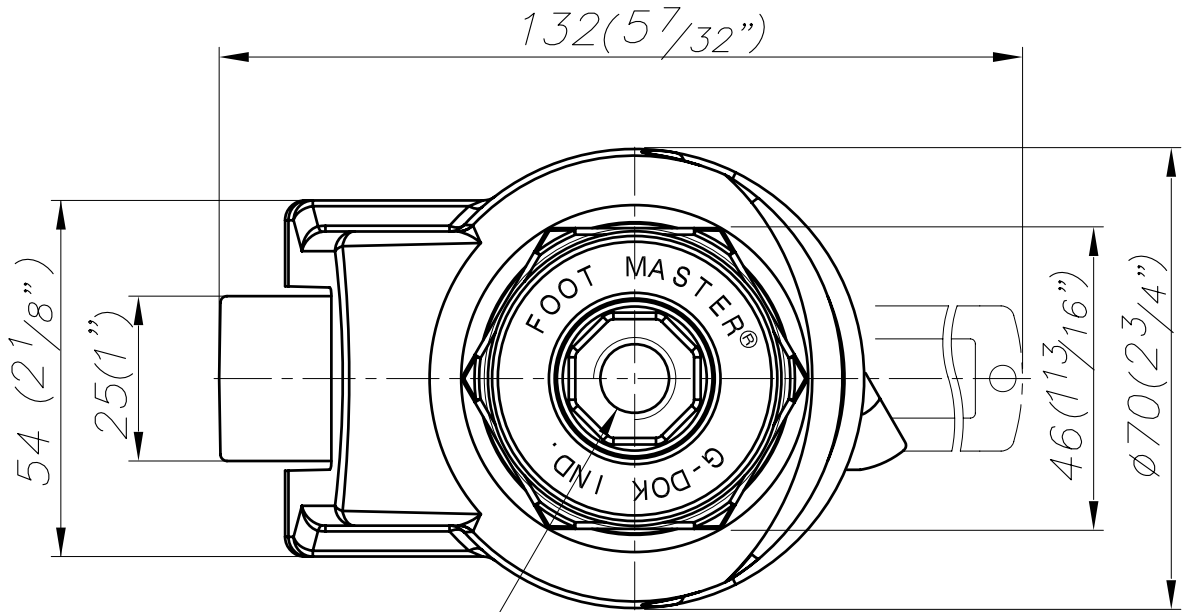


1
2
3
4
5
6
7
8
9
0

1
2
3
4
5
6
7
8
9
0



M12x1.75 TAP
 DEPTH MIN 10 (3/8")

