

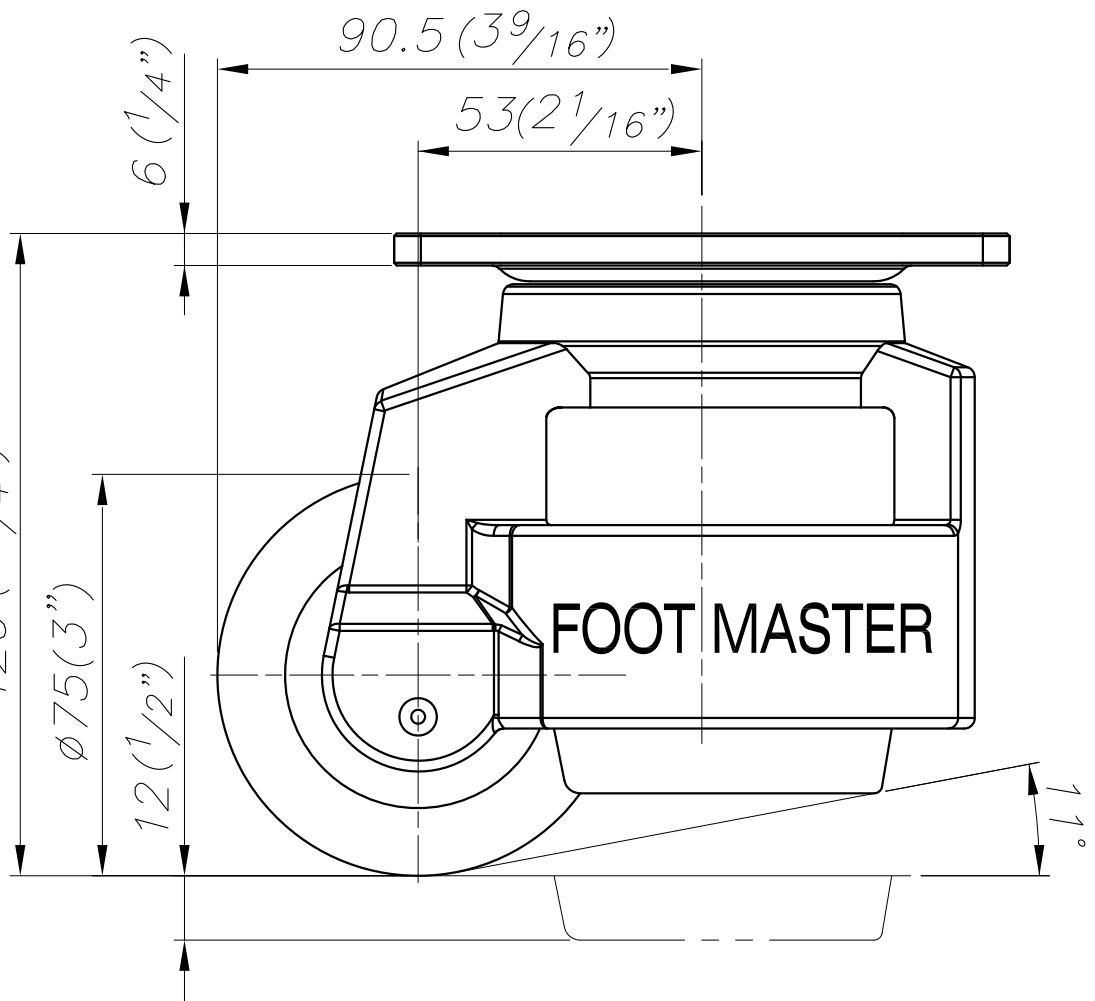
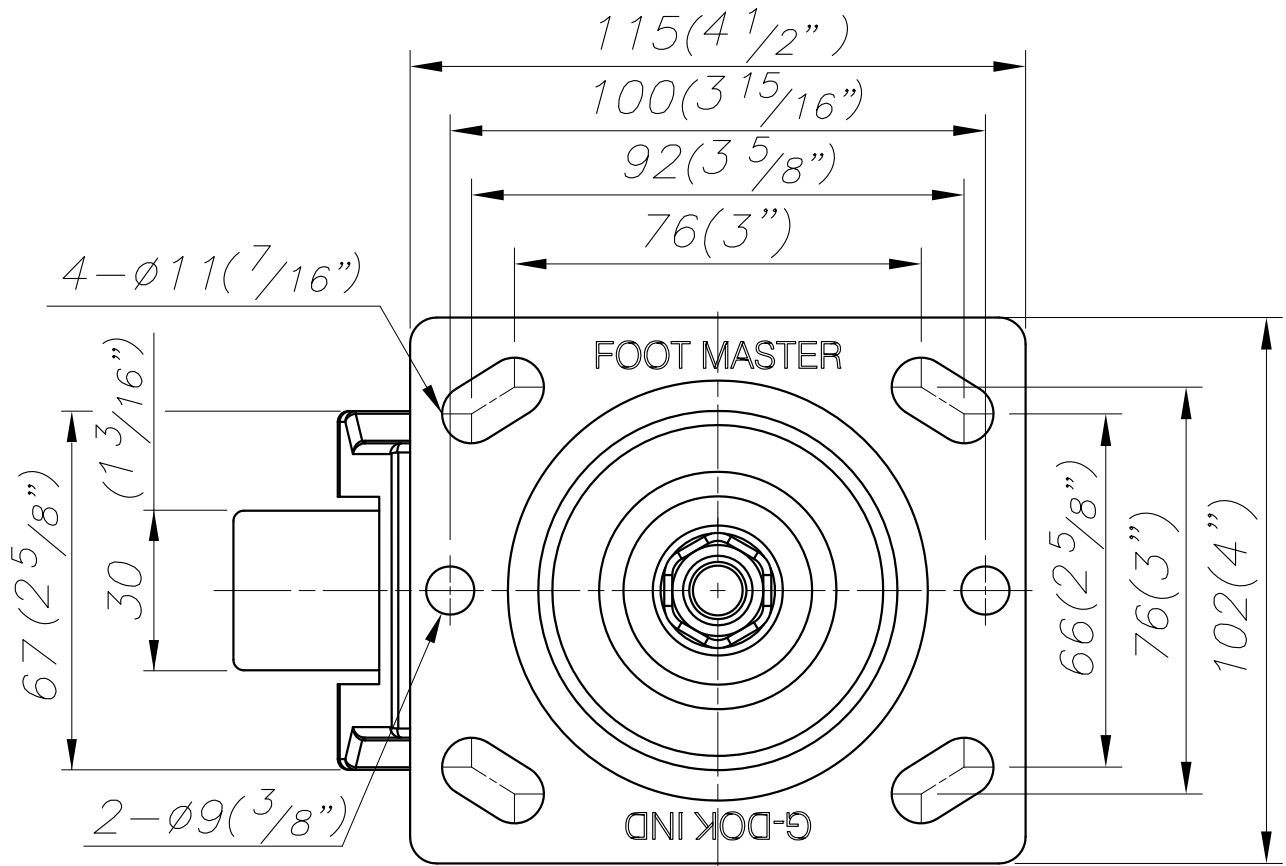
FOOT MASTER

G-DOK IND.

FOOT MASTER

G-DOK IND.

1  
2  
3  
4  
5  
6  
7  
8  
9  
0



FOOT MASTER <sup>®</sup>	FOOMA <sup>®</sup>	G-DOK IND.	MODEL NAME	GD-100-F-PUS
--------------------------	--------------------	------------	------------	--------------

A B C E F G