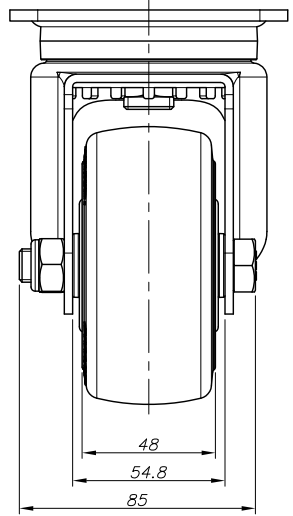
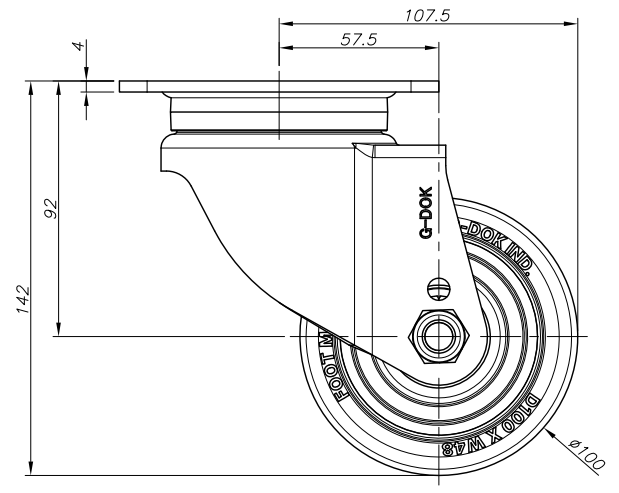
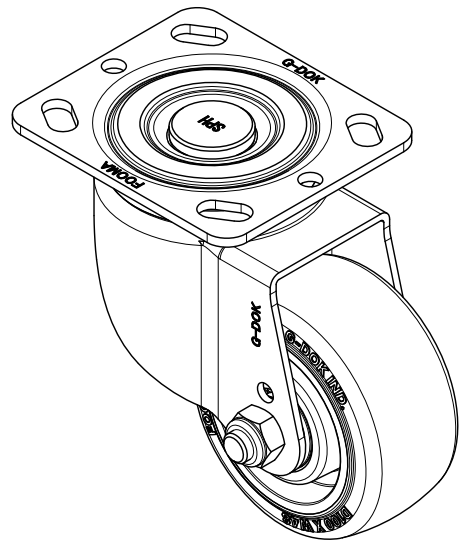
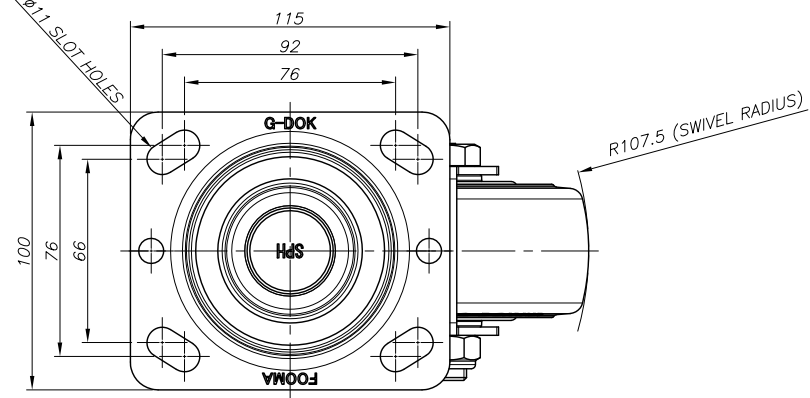


REV. NO.	DATE	DESCRIPTION	APP'D	REMARKS
△	-	-	-	-

0



NOTE
 1) MATERIAL : STAINLESS

PROCESS		MATERIAL		APPROVED BY		CHECKED BY		DRAWN BY	
---		---		O.C.K		J.Y.H		K.S.J	

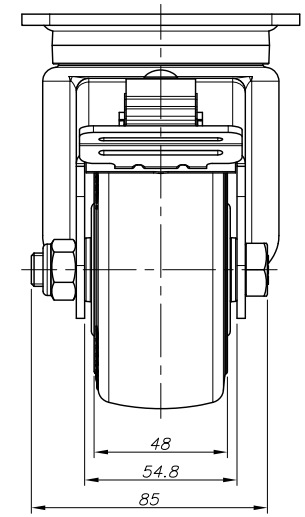
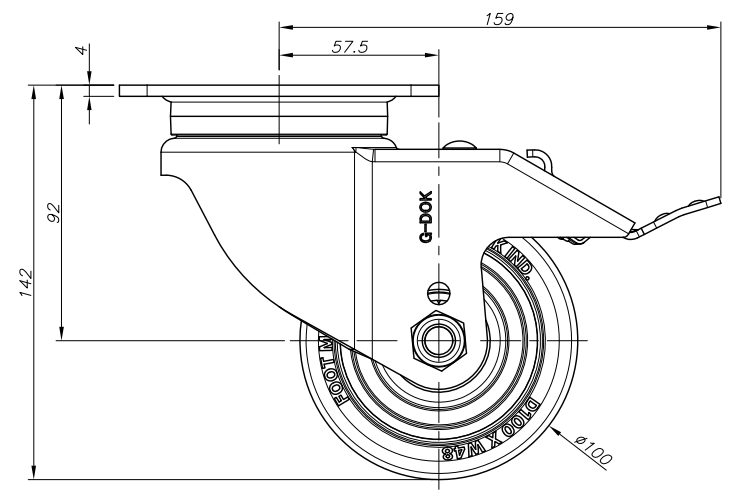
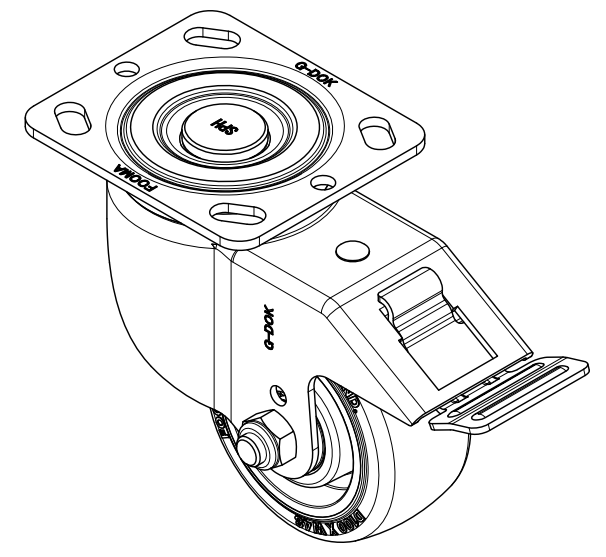
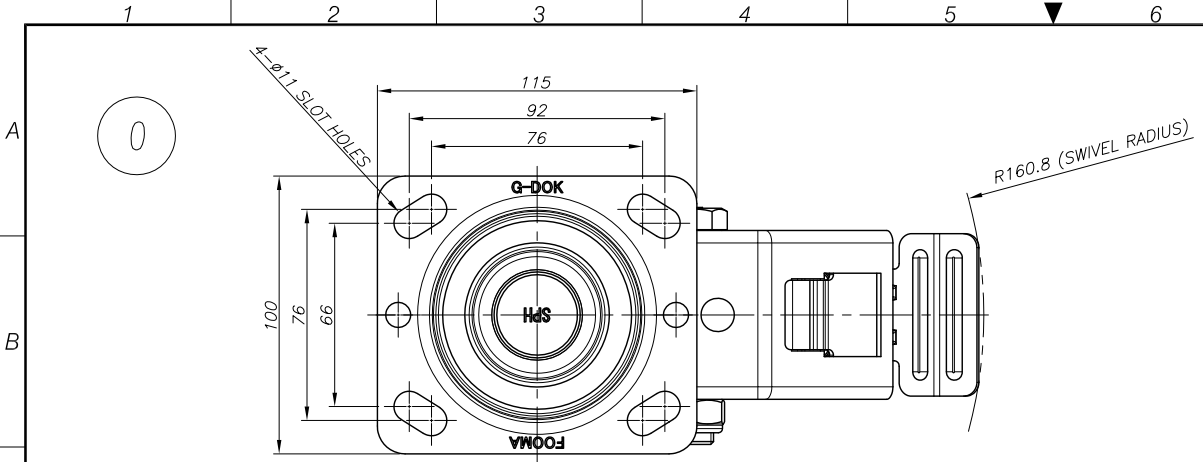
GENERAL TOLERANCE									
MACHINING WORKING		DIE CASTINGS		INJECTION MOLDING		PRESS WORKING		UNIT	
mm	mm	mm	mm	mm	mm	mm	mm	mm	mm
0.5 - 6	±0.15	±0.1	±0.2	±0.2	±0.2	±0.2	±0.2	±0.2	mm
6 - 30	±0.1	±0.2	±0.3	±0.3	±0.3	±0.3	±0.3	mm	mm
30 - 120	±0.15	±0.2	±0.4	±0.4	±0.4	±0.4	±0.4	mm	mm
120 - 400	±0.2	±0.3	±0.5	±0.5	±0.5	±0.5	±0.5	mm	mm
400 - 1000	±0.3	±0.4	±0.6	±0.6	±0.6	±0.6	±0.6	mm	mm

NO.	DESCRIPTION	UNIT	Q'TY	MATERIAL	WEIGHT	SPECIFICATION	REMARKS
---	---	---	---	---	---	---	---

FOOT MASTER®		FOOMA®		G-DOK IND.	
SERIES NAME	SPH-SERIES	DATE	2026.05.18	GSN NO.	4#111-1111111 4#112-1111111
PRODUCT NAME	SPH-100-ASF-TUD & HRD	SCALE	1/2	DWG. NO.	4#111-1111111 4#112-1111111
PART NAME	ASSEMBLY	WEIGHT	---	REVISION	SIZE A3
GENERAL TOLERANCE		B	ANGLE		△

FOOT MASTER G-DOK IND.

REV. NO.	DATE	DESCRIPTION	APP'D	REMARKS
△	-	-	-	-



NOTE
 1) MATERIAL : STAINLESS

PROCESS	GENERAL TOLERANCE											
MATERIAL	MACHINING WORKING			DIE CASTINGS			INJECTION MOLDING			PRESS WORKING		
	FINISH	PRECISION	CHAMFER	FINISH	PRECISION	CHAMFER	FINISH	PRECISION	CHAMFER	FINISH	PRECISION	CHAMFER
O.C.K	0.5 - 6	±0.05	±0.1	P-3	0.5	0.5	P-3	0.5	0.5	P-3	0.5	0.5
	6 - 30	±0.1	±0.2	P-3	0.5	0.5	P-3	0.5	0.5	P-3	0.5	0.5
J.Y.H	30 - 120	±0.15	±0.3	P-3	0.5	0.5	P-3	0.5	0.5	P-3	0.5	0.5
	120 - 400	±0.2	±0.5	P-3	0.5	0.5	P-3	0.5	0.5	P-3	0.5	0.5
K.S.J	400 - 1000	±0.3	±0.8	P-3	0.5	0.5	P-3	0.5	0.5	P-3	0.5	0.5

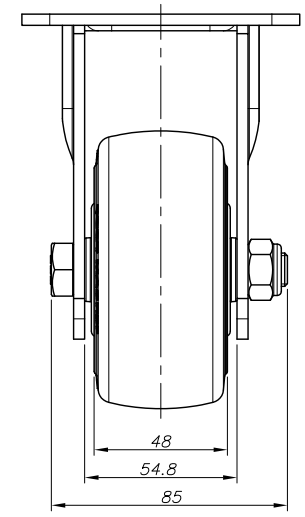
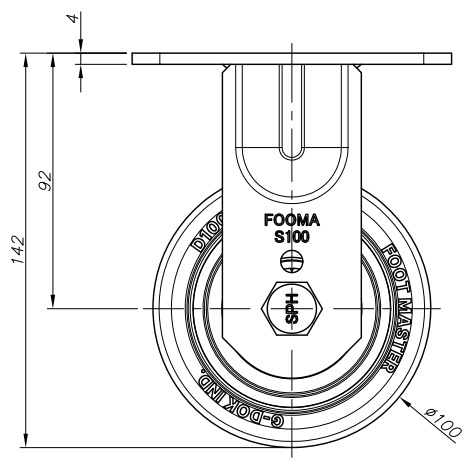
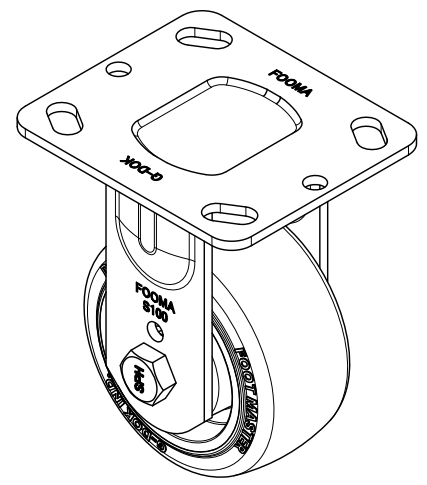
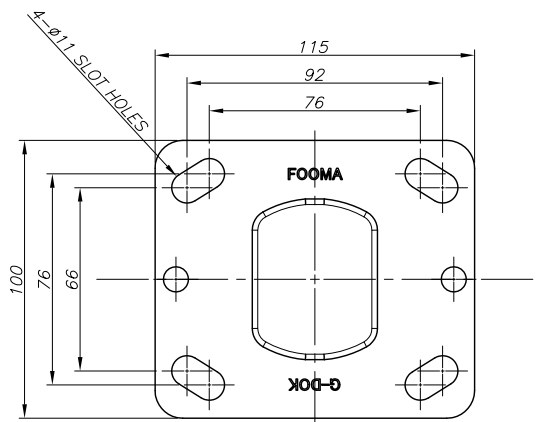
NO.	DESCRIPTION	UNIT	Q'TY	MATERIAL	WEIGHT	SPECIFICATION	REMARKS
---	---	---	---	---	---	---	---

FOOT MASTER®		FOOMA®		G-DOK IND.	
SERIES NAME	SPH-SERIES	DATE	2026.05.18	GSN NO.	4H131-1111111 4H132-1111111
PRODUCT NAME	SPH-100-BSF-TUD & HRD	SCALE	1/2	DWG. NO.	4H131-1111111 4H132-1111111
PART NAME	ASSEMBLY	WEIGHT	---	REVISION	SIZE A3
GENERAL TOLERANCE		B	ANGLE		△

FOOT MASTER G-DOK IND.

REV. NO.	DATE	DESCRIPTION	APP'D	REMARKS
△	-	-	-	-

0



NOTE
 1) MATERIAL : STAINLESS

PROCESS	GENERAL TOLERANCE															
MATERIAL	MACHINING WORKING				DIE CASTING				INJECTION MOLDING				PRESS WORKING			
	ANG2	PRECISION	GRADE	ANG2	PRECISION	GRADE	ANG2	PRECISION	GRADE	ANG2	PRECISION	GRADE	ANG2	PRECISION	GRADE	
	0.5 - 6	±0.05	±0.1	P-2	0.5	0.1	P-2	0.5	0.1	P-2	0.5	0.1	P-2	0.5	0.1	
	6 - 30	±0.1	±0.2	P-3	0.5	0.1	P-3	0.5	0.1	P-3	0.5	0.1	P-3	0.5	0.1	
	30 - 120	±0.15	±0.3	P-4	0.5	0.1	P-4	0.5	0.1	P-4	0.5	0.1	P-4	0.5	0.1	
	120 - 400	±0.2	±0.5	P-5	0.5	0.1	P-5	0.5	0.1	P-5	0.5	0.1	P-5	0.5	0.1	
	400 - 1000	±0.3	±0.8	P-6	0.5	0.1	P-6	0.5	0.1	P-6	0.5	0.1	P-6	0.5	0.1	

FOOT MASTER®		FOOMA®		G-DOK IND.	
SERIES NAME	SPH-SERIES	DATE	2026.05.18	GSN NO.	4#121-111111 4#122-111111
PRODUCT NAME	SPH-100-ARF-TUD & HRD	SCALE	1/2	DWG. NO.	4#121-111111 4#122-111111
PART NAME	ASSEMBLY	WEIGHT	--	REVISION	SIZE A3
		GENERAL TOLERANCE	B	ANGLE	△

FOOT MASTER G-DOK IND.