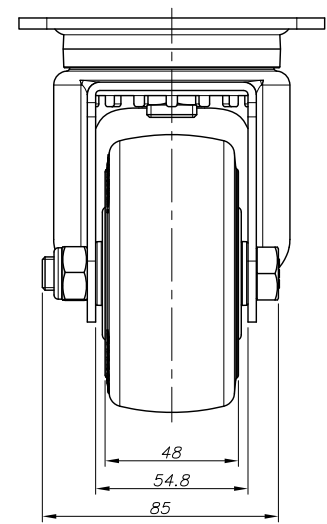
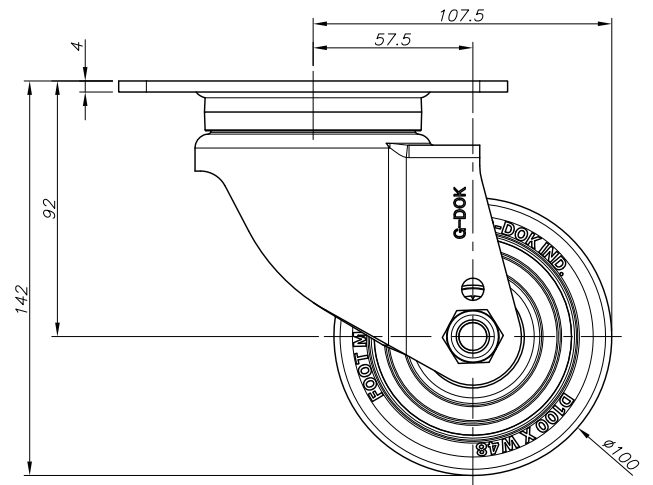
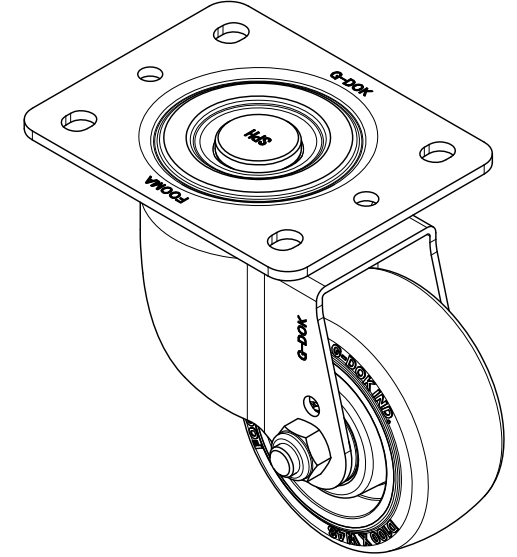
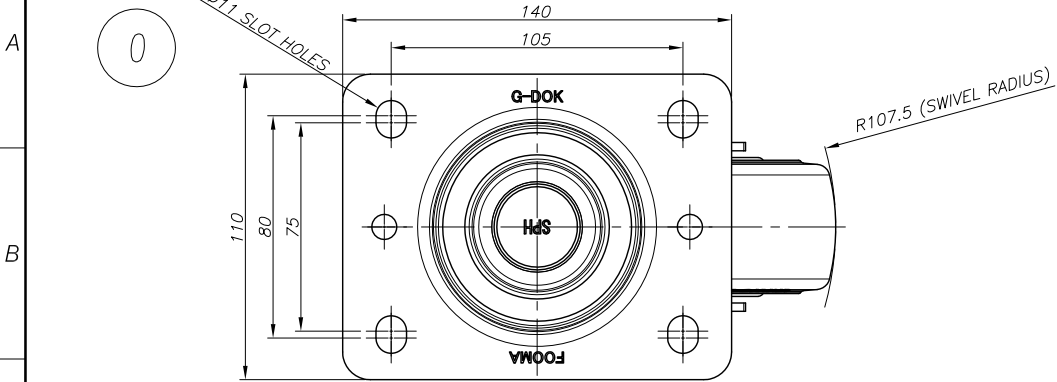


REV. NO.	DATE	DESCRIPTION	APP'D	REMARKS
-	-	-	-	-



NOTE
 1) MATERIAL : STAINLESS

PROCESS	GENERAL TOLERANCE		CHAMFER	0.5	ROUND	0.5	UNIT	mm

MATERIAL	MACHINING WORKING		DIE CASTINGS		INJECTION MOLDING		PRESS WORKING	
---	FINISH	PRECISION	GRADE	FINISH	PRECISION	GRADE	FINISH	PRECISION
	0.5 - 6	±0.05	±0.1	P-2	MS	MS	P-2	MS
	6 - 30	±0.1	±0.2	P-2	MS	MS	P-2	MS
	30 - 120	±0.15	±0.3	P-2	MS	MS	P-2	MS
	120 - 400	±0.2	±0.5	P-2	MS	MS	P-2	MS
	400 - 1000	±0.3	±0.8	P-2	MS	MS	P-2	MS

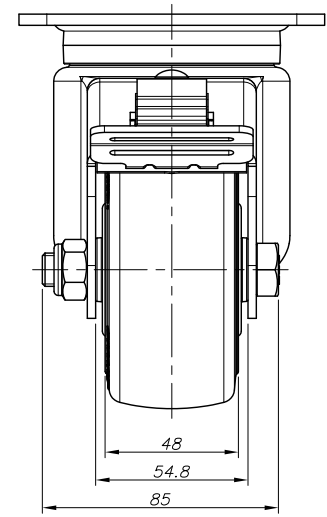
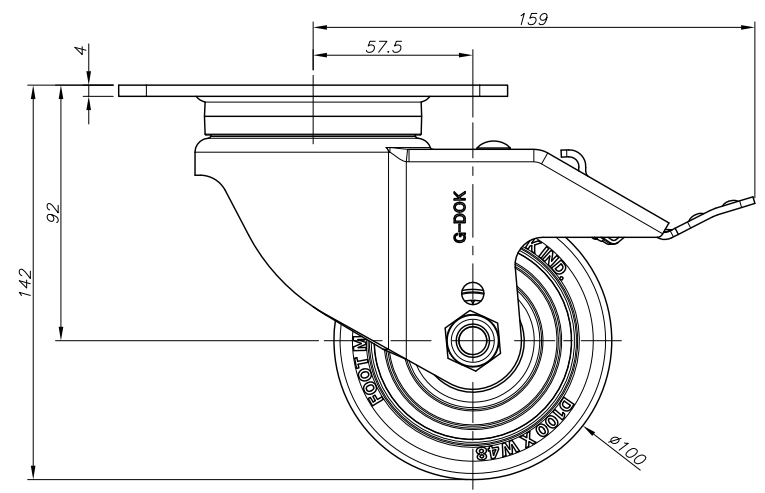
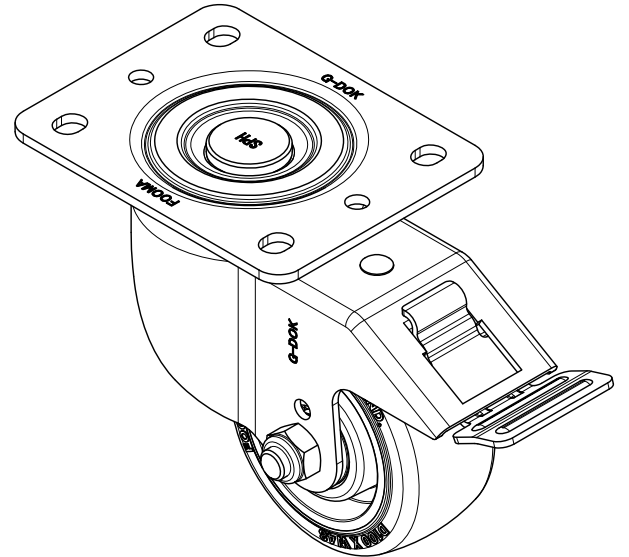
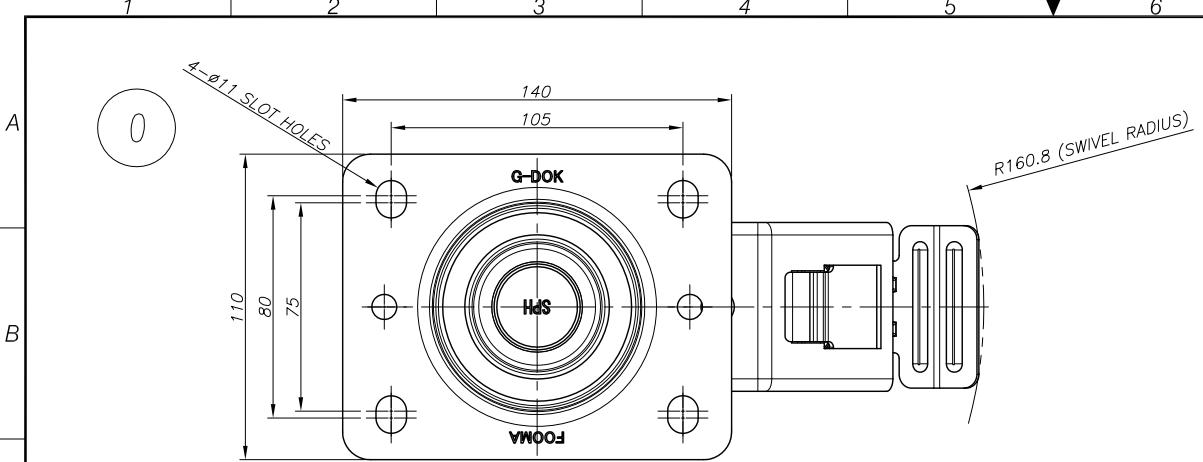
APPROVED BY	CHECKED BY	DRAWN BY	PRODUCT GENERAL TOLERANCE			
O.C.K	J.Y.H	K.S.J	CASTER HEIGHT	WHEEL OUTER DIAMETER	WHEEL HUB WIDTH	
			±0.1	±0.1	±0.1	
			±0.1	±0.1	±0.1	
			±0.1	±0.1	±0.1	

NO.	DESCRIPTION	UNIT	Q'TY	MATERIAL	WEIGHT	SPECIFICATION	REMARKS
---	---	-	-	-	-	-	-

FOOT MASTER®		FOOMA®		G-DOK IND.	
SERIES NAME	SPH-SERIES	DATE	2026.05.18	GSN NO.	4#111-211111 4#112-211111
PRODUCT NAME	SPH-100-ASF-TUD & HRD-PEU	SCALE	1/2	DWG. NO.	4#111-211111 4#112-211111
PART NAME	ASSEMBLY	WEIGHT	---	REVISION	SIZE A3
		GENERAL TOLERANCE	B	ANGLE	

FOOT MASTER G-DOK IND.

REV. NO.	DATE	DESCRIPTION	APP'D	REMARKS
△	-	-	-	-



NOTE
 1) MATERIAL : STAINLESS

PROCESS	GENERAL TOLERANCE															
MATERIAL	MACHINING WORKING				DIE CASTINGS				INJECTION MOLDING				PRESS WORKING			
	DRZ	PR	DRZ	PR	DRZ	PR	DRZ	PR	DRZ	PR	DRZ	PR	DRZ	PR	DRZ	PR
O.C.K	PRODUCT GENERAL TOLERANCE															
	CASTER HEIGHT				WHEEL OUTER DIAMETER				WHEEL HUB WIDTH				WHEEL RIM WIDTH			
APPROVED BY	CHECKED BY	DRAWN BY														
O.C.K	J.Y.H	K.S.J														

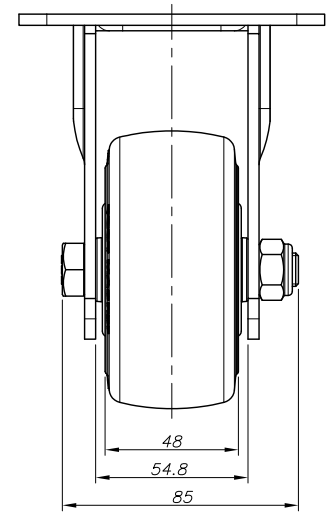
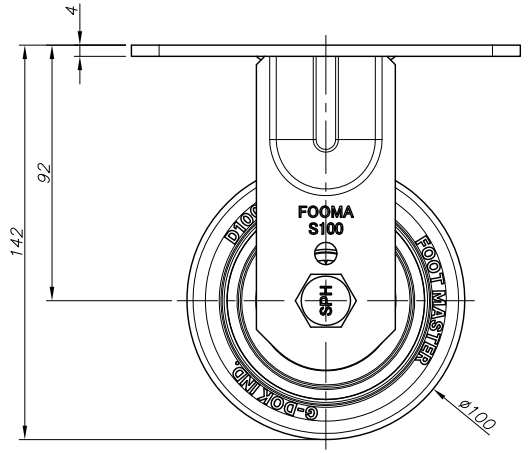
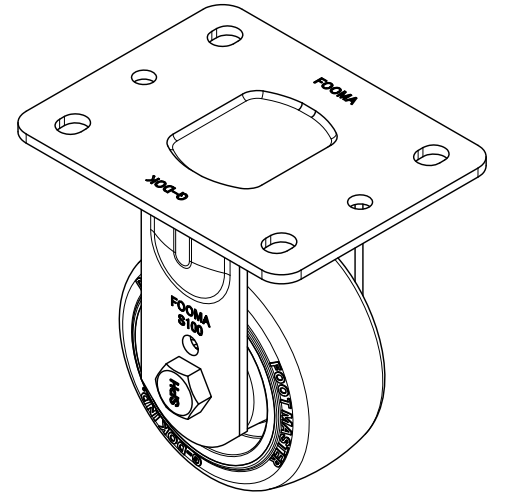
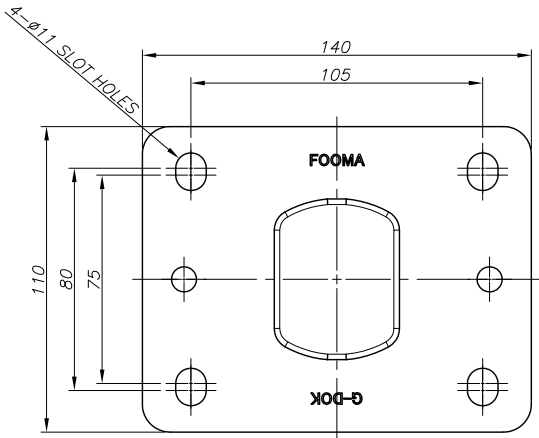
NO.	DESCRIPTION	UNIT	Q'TY	MATERIAL	WEIGHT	SPECIFICATION	REMARKS
---	---	-	-	-	-	-	-

SERIES NAME		SPH-SERIES	DATE	2026.05.18	GSN NO.	4H131-211111 4H132-211111
PRODUCT NAME		SPH-100-BSF-TUD & HRD-PEU	SCALE	1/2	DWG. NO.	4H131-211111 4H132-211111
PART NAME		ASSEMBLY	WEIGHT	--	REVISION	SIZE A3
GENERAL TOLERANCE		B	ANGLE			

FOOT MASTER G-DOK IND. FOOT MASTER G-DOK IND. FOOT MASTER G-DOK IND.

REV. NO.	DATE	DESCRIPTION	APP'D	REMARKS
△	-	-	-	-

0



NOTE
 1) MATERIAL : STAINLESS

PROCESS	GENERAL TOLERANCE															
MATERIAL	MACHINING WORKING				DIE CASTING				INJECTION MOLDING				PRESS WORKING			
	ANG2	PRECISION	GRADE	UNIT	ANG2	PRECISION	GRADE	UNIT	ANG2	PRECISION	GRADE	UNIT	ANG2	PRECISION	GRADE	UNIT
	0.5 - 6	±0.05	±0.1	mm	0.5 - 6	±0.1	±0.2	mm	0.5 - 6	±0.1	±0.2	mm	0.5 - 6	±0.1	±0.2	mm
	6 - 30	±0.1	±0.2	mm	6 - 30	±0.1	±0.2	mm	6 - 30	±0.1	±0.2	mm	6 - 30	±0.1	±0.2	mm
	30 - 120	±0.15	±0.3	mm	30 - 120	±0.15	±0.3	mm	30 - 120	±0.15	±0.3	mm	30 - 120	±0.15	±0.3	mm
	120 - 400	±0.2	±0.5	mm	120 - 400	±0.2	±0.5	mm	120 - 400	±0.2	±0.5	mm	120 - 400	±0.2	±0.5	mm
	400 - 1000	±0.3	±0.8	mm	400 - 1000	±0.3	±0.8	mm	400 - 1000	±0.3	±0.8	mm	400 - 1000	±0.3	±0.8	mm

APPROVED BY	CHECKED BY	DRAWN BY
O.C.K	J.Y.H	K.S.J

PRODUCT GENERAL TOLERANCE		
CUSTOMER HEIGHT	WHEEL OUTER DIAMETER	WHEEL HUB WIDTH
6 - 30	±0.1	±0.2
30 - 120	±0.15	±0.3
120 - 400	±0.2	±0.5
400 - 1000	±0.3	±0.8

NO.	DESCRIPTION	UNIT	Q'TY	MATERIAL	WEIGHT	SPECIFICATION	REMARKS
---	---	---	---	---	---	---	---

FOOT MASTER®		FOOMA®		G-DOK IND.	
SERIES NAME	SPH-SERIES	DATE	2026.05.18	GSN NO.	4#121-2111111 4#122-2111111
PRODUCT NAME	SPH-100-ARF-TUD & HRD-PEU	SCALE	1/2	DWG. NO.	4#121-2111111 4#122-2111111
PART NAME	ASSEMBLY	WEIGHT	---	REVISION	SIZE A3
		GENERAL TOLERANCE	B	ANGLE	△

FOOT MASTER G-DOK IND.