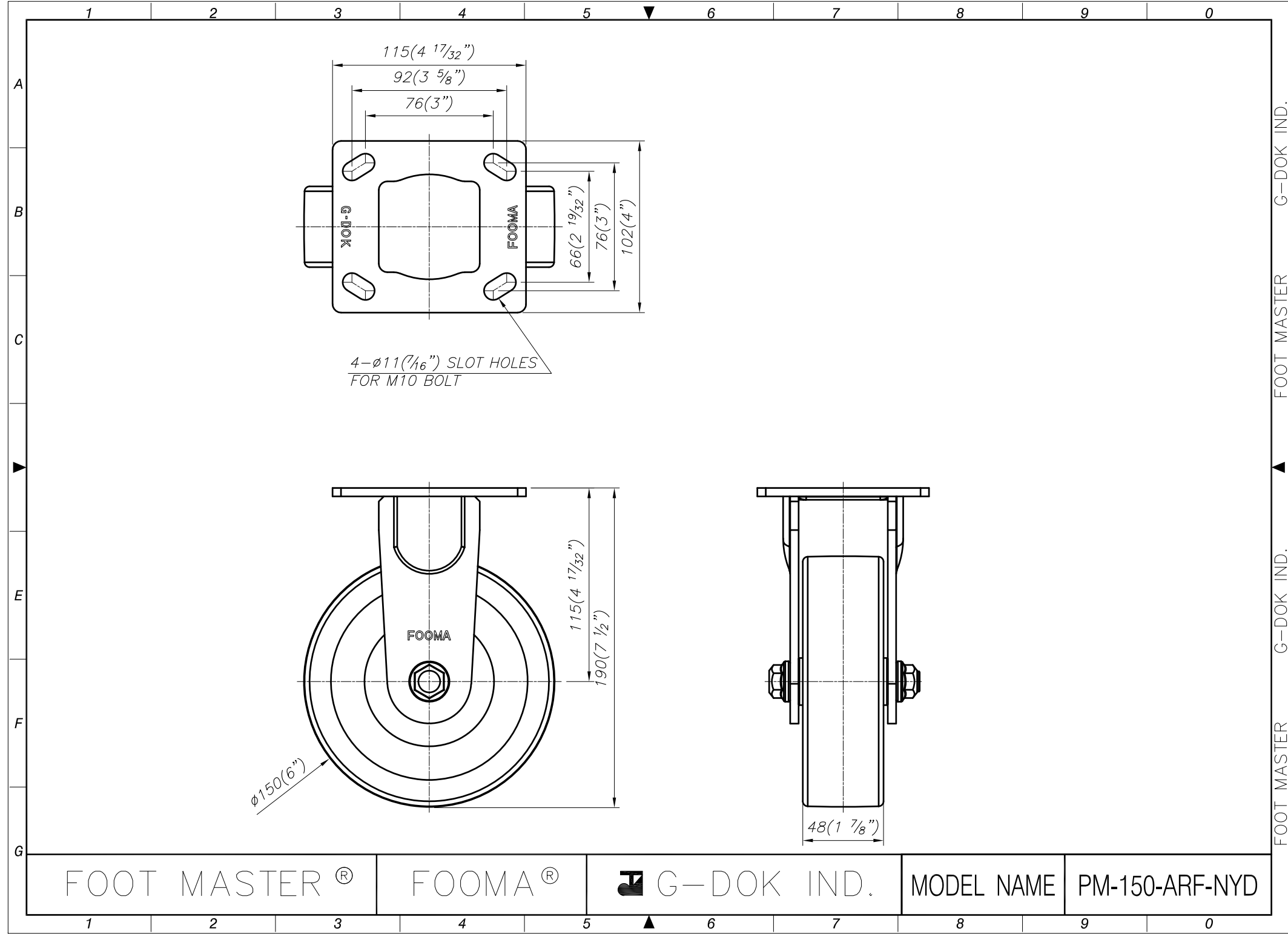


G-DOK IND.

FOOT MASTER

G-DOK IND.

FOOT MASTER



FOOT MASTER®

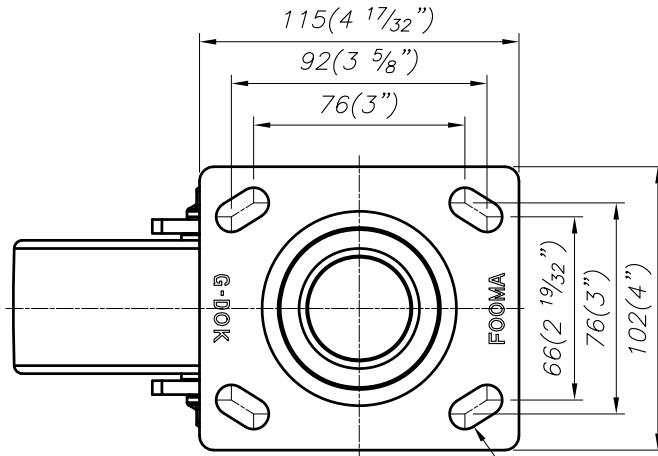
FOOMA®

G-DOK IND.

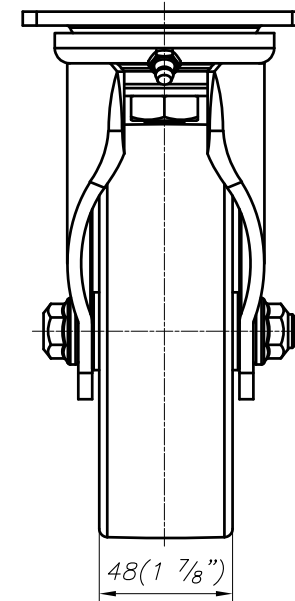
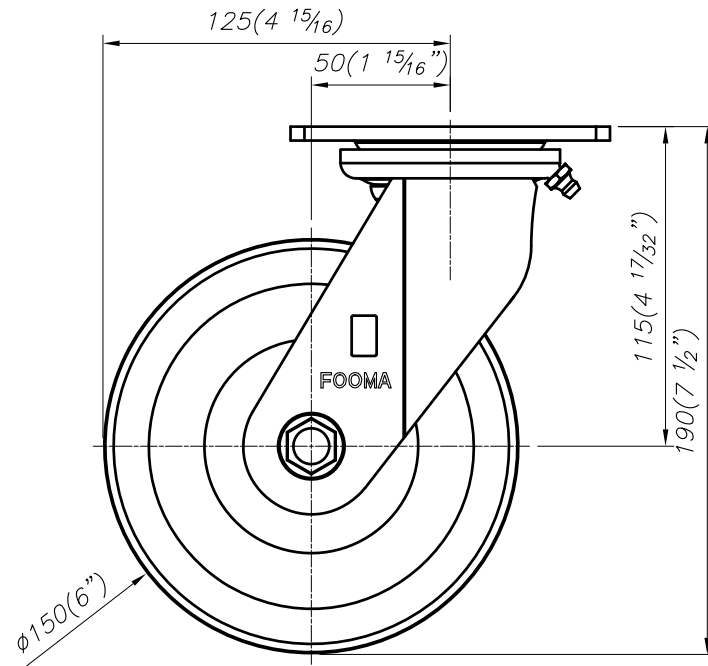
MODEL NAME

PM-150-ARF-NYD

FOOT MASTER G-DOK IND. FOOT MASTER G-DOK IND.



4- $\phi 11(7/16)$  SLOT HOLES  
FOR M10 BOLT



FOOT MASTER<sup>®</sup>

FOOMA<sup>®</sup>

 G-DOK IND.

MODEL NAME

PM-150-ASF-NYD

FOOT MASTER G-DOK IND. FOOT MASTER G-DOK IND.