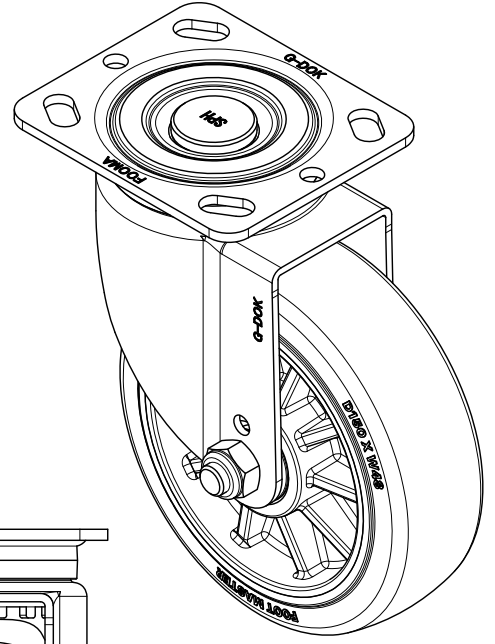
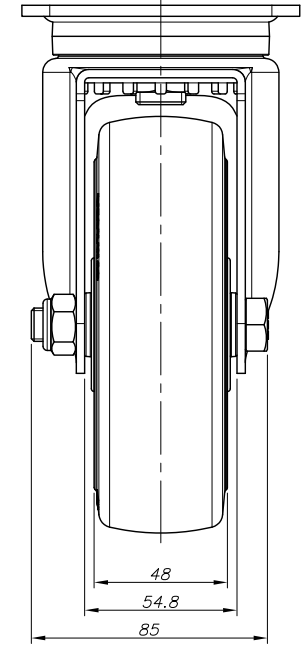
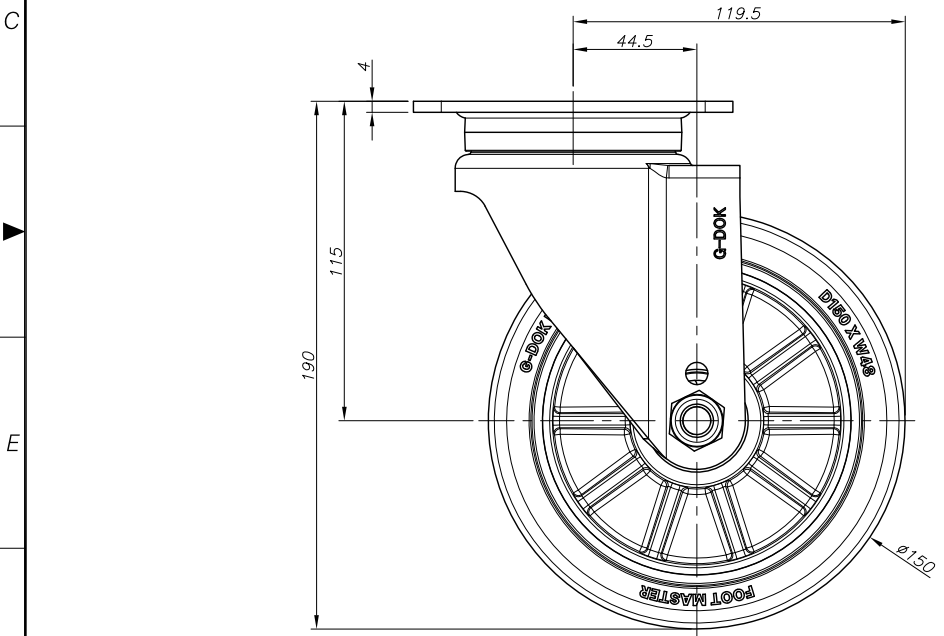
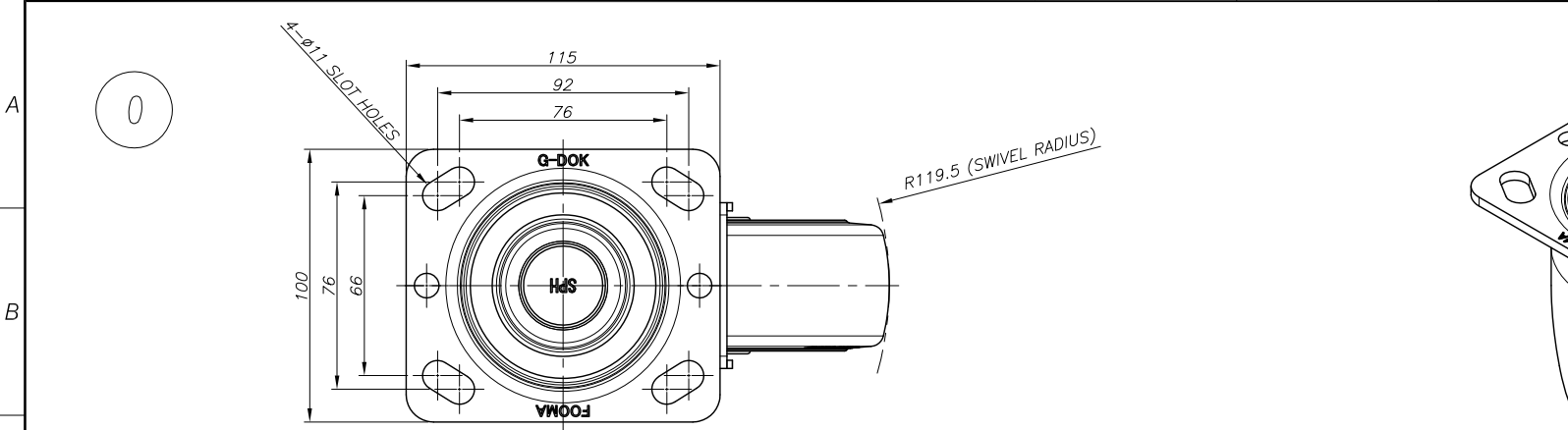


REV. NO.	DATE	DESCRIPTION	APP'D	REMARKS
1	-	-	-	-



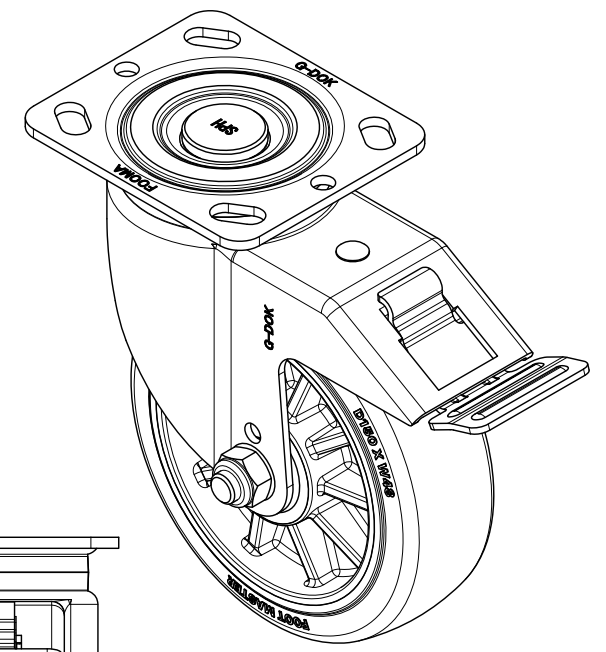
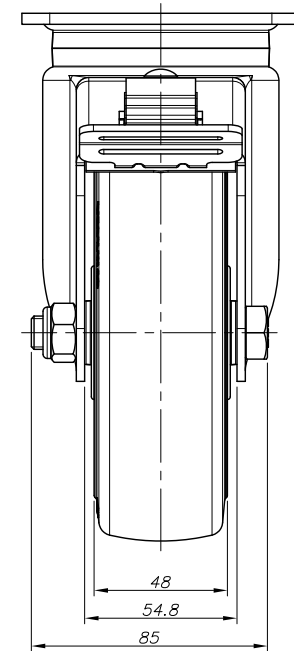
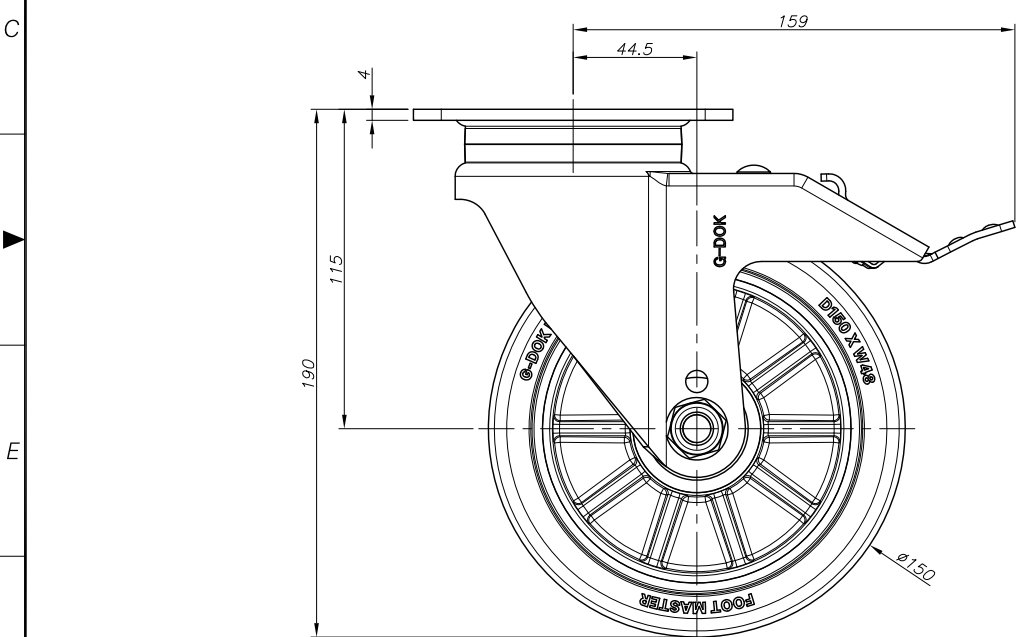
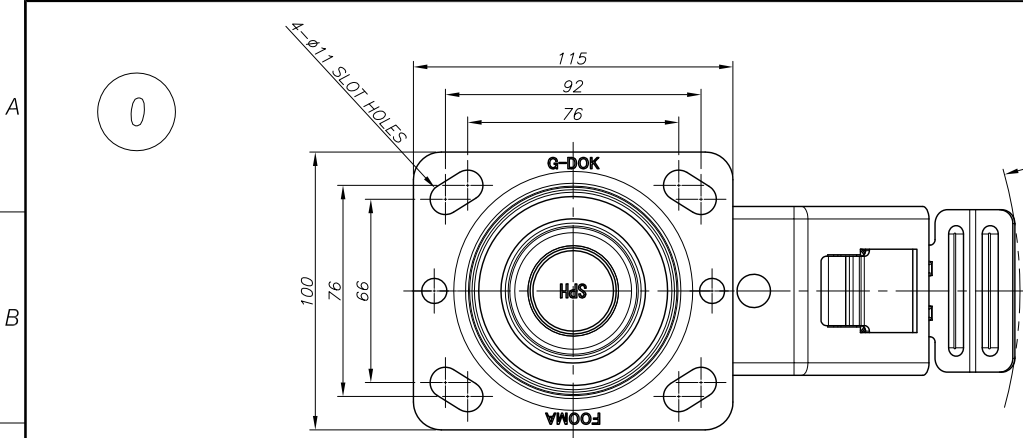
NOTE
 1) MATERIAL : STAINLESS

PROCESS		MATERIAL		APPROVED BY		CHECKED BY		DRAWN BY	
---		---		O.C.K		J.Y.H		K.S.J	

FOOT MASTER®		FOOMA®		G-DOK IND.	
SERIES NAME	SPH-SERIES	DATE	2026.05.18	GSN NO.	4#311-1111111 4#312-1111111
PRODUCT NAME	SPH-150-ASF-TUD & HRD	SCALE	1/2	DWG. NO.	4#311-1111111 4#312-1111111
PART NAME	ASSEMBLY	WEIGHT	--	REVISION	SIZE A3
GENERAL TOLERANCE		B		ANGLE	

FOOT MASTER G-DOK IND.

REV. NO.	DATE	DESCRIPTION	APP'D	REMARKS
△	-	-	-	-



NOTE
 1) MATERIAL : STAINLESS

PROCESS		GENERAL TOLERANCE		CHAMFER	0.5	ROUND	0.5	UNIT	mm
MATERIAL		MACHINING WORKING		DIE CASTING		INJECTION MOLDING		PRESS WORKING	
APPROVED BY		PRODUCT GENERAL TOLERANCE		DIMZ		DIMZ		DIMZ	
CHECKED BY		DIMZ		DIMZ		DIMZ		DIMZ	
DRAWN BY		DIMZ		DIMZ		DIMZ		DIMZ	
O.C.K		J.Y.H		K.S.J					

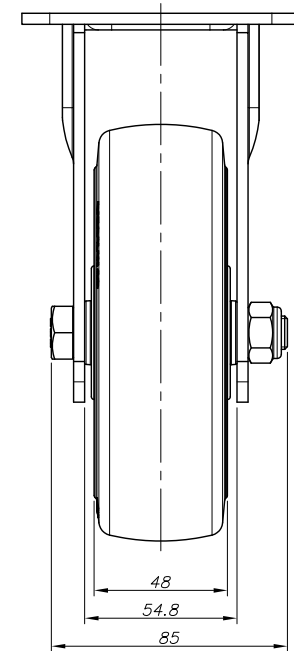
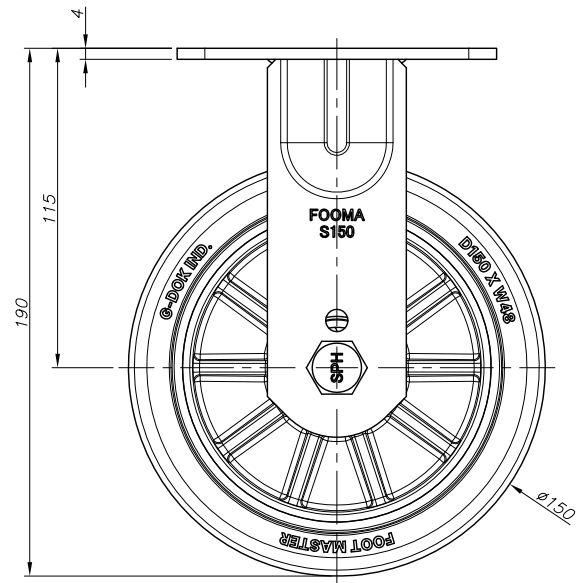
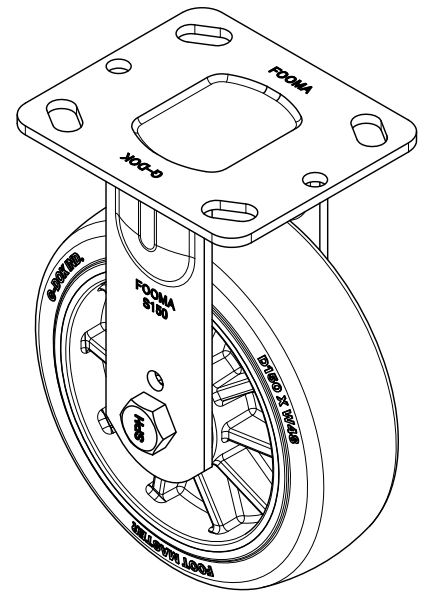
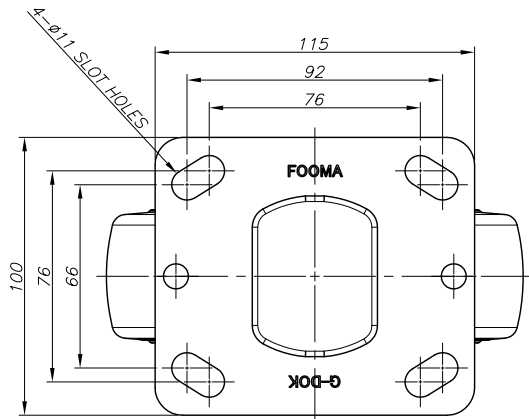
NO.		DESCRIPTION	UNIT	Q'TY	MATERIAL	WEIGHT	SPECIFICATION	REMARKS	
---		---		---		---		---	

SERIES NAME		SPH-SERIES		DATE	2026.05.18	GSN NO.	4#331-1111111
PRODUCT NAME		SPH-150-BSF-TUD & HRD		SCALE	1/2	DWG. NO.	4#331-1111111
PART NAME		ASSEMBLY		WEIGHT	--	REVISION	SIZE A3
		GENERAL TOLERANCE		B		ANGLE	

FOOT MASTER G-DOK IND. FOOT MASTER G-DOK IND. FOOT MASTER G-DOK IND.

REV. NO.	DATE	DESCRIPTION	APP'D	REMARKS
1	-	-	-	-

0



NOTE
 1) MATERIAL : STAINLESS

PROCESS	GENERAL TOLERANCE		CHAMFER	0.5	ROUND	0.5	UNIT	mm
MATERIAL	MACHINING WORKING		DIE CASTING		INJECTION MOLDING		PRESS WORKING	
	FINISH	PRECISION	ANGLE	RADIUS	ANGLE	PRECISION	ANGLE	PRECISION
	0.5 - 6	±0.05	±0.1	±0.2	±0.1	±0.1	±0.1	±0.1
	6 - 30	±0.1	±0.2	±0.3	±0.2	±0.2	±0.2	±0.2
	30 - 120	±0.15	±0.3	±0.4	±0.3	±0.3	±0.3	±0.3
	120 - 400	±0.2	±0.5	±0.6	±0.5	±0.5	±0.5	±0.5
	400 - 1000	±0.3	±0.8	±1.0	±0.8	±0.8	±0.8	±0.8

APPROVED BY	CHECKED BY	DRAWN BY
O.C.K	J.Y.H	K.S.J

PRODUCT GENERAL TOLERANCE			
CASTER HEIGHT	WHEEL OUTER DIAMETER	WHEEL HUB WIDTH	
PRECISION	ANGLE	PRECISION	ANGLE
±0.1	±0.1	±0.1	±0.1
±0.15	±0.15	±0.15	±0.15
±0.2	±0.2	±0.2	±0.2
±0.3	±0.3	±0.3	±0.3

NO.	DESCRIPTION	UNIT	Q'TY	MATERIAL	WEIGHT	SPECIFICATION	REMARKS
---	---	---	---	---	---	---	---

FOOT MASTER®		FOOMA®		G-DOK IND.	
SERIES NAME	SPH-SERIES	DATE	2026.05.18	GSN NO.	4H321-1111111 4H322-1111111
PRODUCT NAME	SPH-150-ARF-TUD & HRD	SCALE	1/2	DWG. NO.	4H321-1111111 4H322-1111111
PART NAME	ASSEMBLY	WEIGHT	---	REVISION	SIZE A3
GENERAL TOLERANCE		B	ANGLE		⊕

FOOT MASTER G-DOK IND.