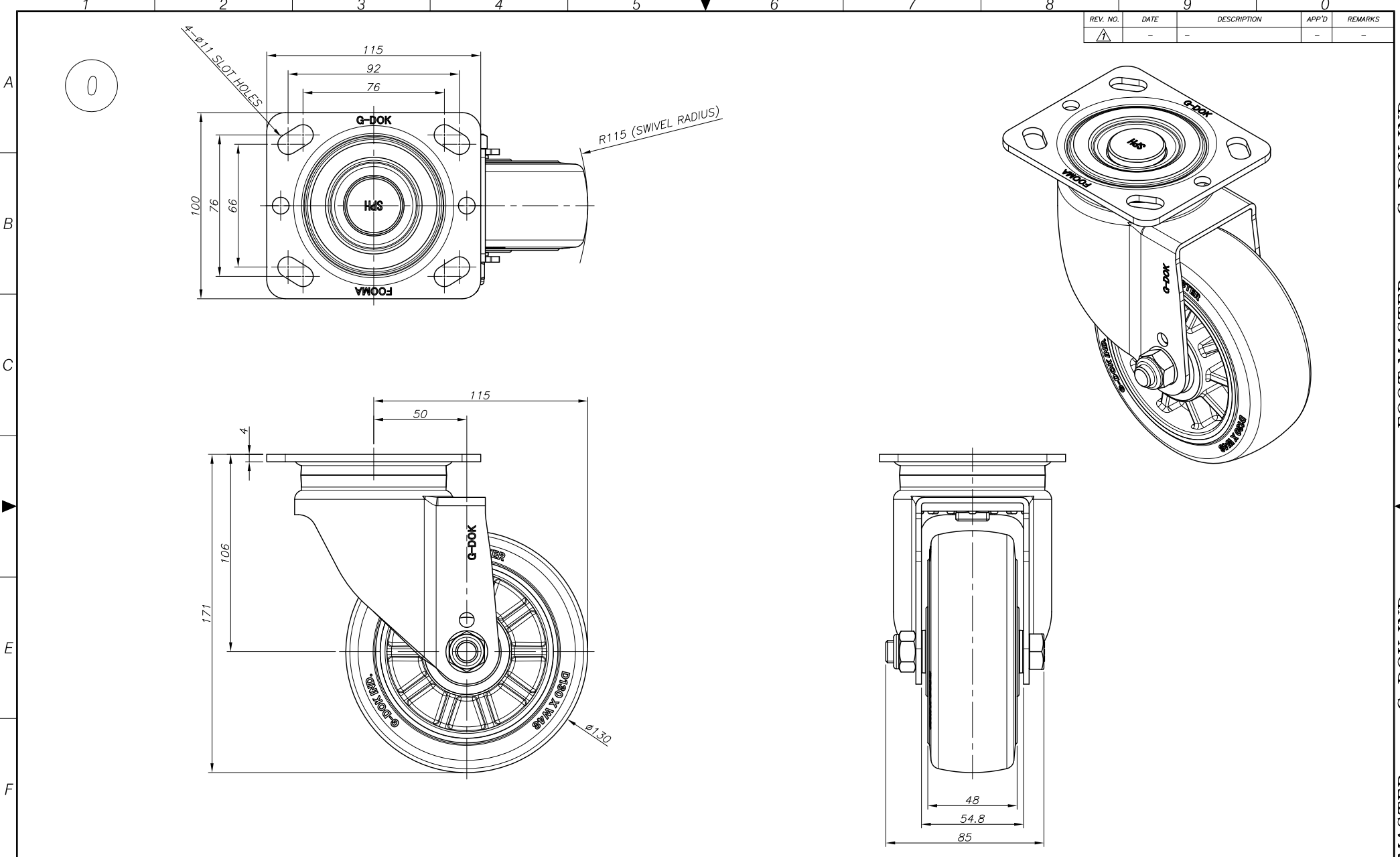


REV. NO.	DATE	DESCRIPTION	APP'D	REMARKS
△	-	-	-	-



NOTE  
 1) MATERIAL : STAINLESS

NO.	DESCRIPTION	UNIT	Q'TY	MATERIAL	WEIGHT	SPECIFICATION	REMARKS
--	--	-	-	-	-	-	-

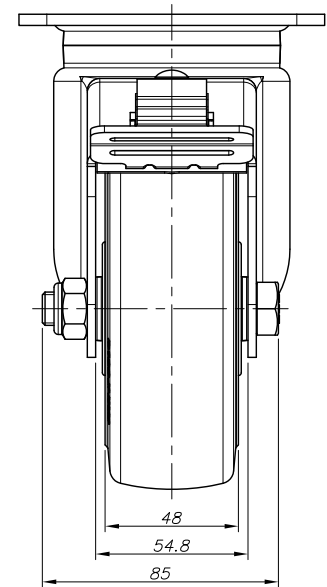
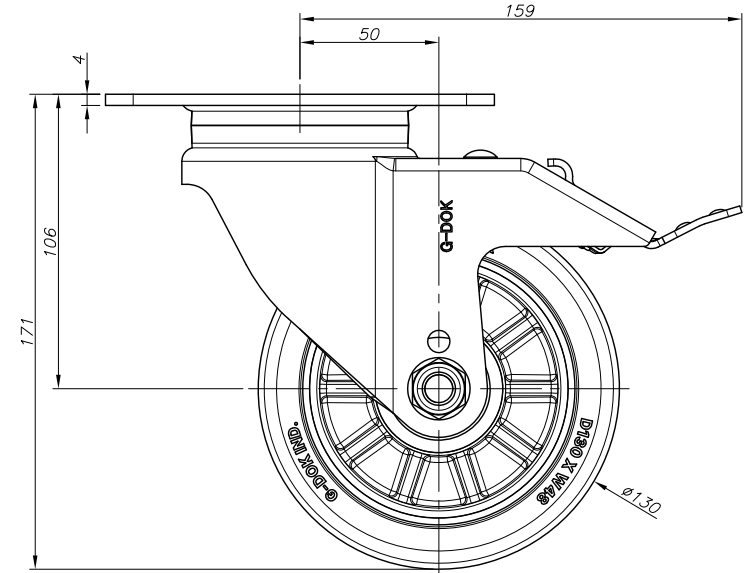
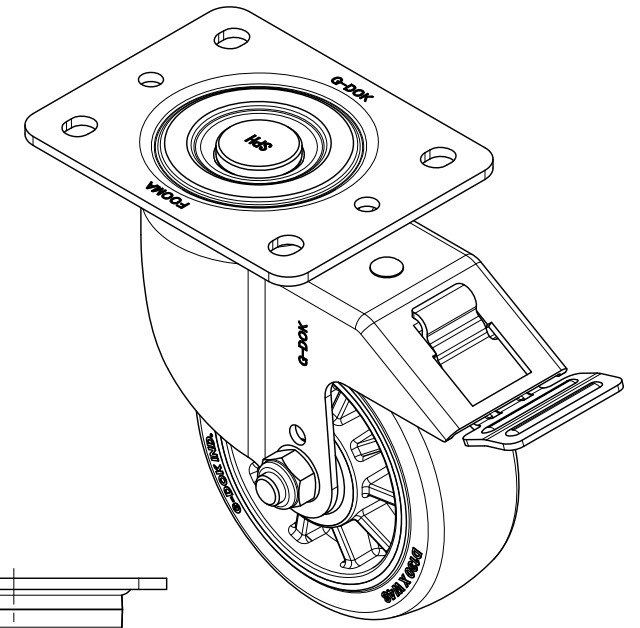
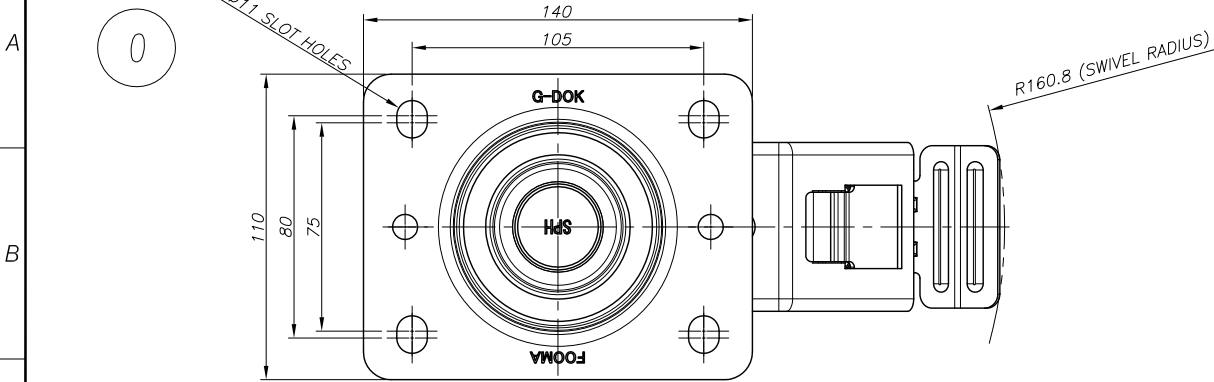
PROCESS		MATERIAL		APPROVED BY		CHECKED BY		DRAWN BY	
--		--		O.C.K		J.Y.H		K.S.J	

PRODUCT GENERAL TOLERANCE									
DIE CASTING		INJECTION MOLDING		PRESS WORKING		MACHINING WORKING		CHAMFER	
SIZE	TOLERANCE	SIZE	TOLERANCE	SIZE	TOLERANCE	SIZE	TOLERANCE	ANGLE	UNIT
0.5 - 6	±0.05	0.5 - 12	±0.1	0.5 - 12	±0.1	0.5 - 6	±0.05	0.5	mm
6 - 30	±0.1	12 - 30	±0.15	30 - 120	±0.2	6 - 30	±0.1	0.5	
30 - 120	±0.15	120 - 400	±0.2	120 - 1000	±0.3	30 - 120	±0.15	0.5	

SERIES NAME		DATE		GSN NO.	
SPH-SERIES		2026.05.18		#H21-1111111	
PRODUCT NAME		SCALE		DWG. NO.	
SPH-130-ASF-TUD & HRD		1/2		#H21-1111111	
PART NAME		WEIGHT		REVISION	
ASSEMBLY		--		SIZE A3	
GENERAL TOLERANCE		ANGLE		REVISION	
B		△		-	

FOOT MASTER G-DOK IND. FOOT MASTER G-DOK IND. FOOT MASTER G-DOK IND.

REV. NO.	DATE	DESCRIPTION	APP'D	REMARKS
-	-	-	-	-



NOTE  
 1) MATERIAL : STAINLESS

PROCESS	GENERAL TOLERANCE															
MATERIAL	MACHINING WORKING				DIE CASTINGS				INJECTION MOLDING				PRESS WORKING			
	ANG2	PRECISION	GRADE	UNIT	ANG2	PRECISION	GRADE	UNIT	ANG2	PRECISION	GRADE	UNIT	ANG2	PRECISION	GRADE	UNIT
	0.5 - 6	±0.05	±0.1	mm	0.5 - 6	±0.1	±0.2	mm	0.5 - 6	±0.1	±0.2	mm	0.5 - 6	±0.1	±0.2	mm
	6 - 30	±0.1	±0.2	mm	6 - 30	±0.2	±0.3	mm	6 - 30	±0.2	±0.3	mm	6 - 30	±0.2	±0.3	mm
	30 - 120	±0.15	±0.3	mm	30 - 120	±0.3	±0.4	mm	30 - 120	±0.3	±0.4	mm	30 - 120	±0.3	±0.4	mm
	120 - 400	±0.2	±0.5	mm	120 - 400	±0.4	±0.6	mm	120 - 400	±0.4	±0.6	mm	120 - 400	±0.4	±0.6	mm
	400 - 1000	±0.3	±0.8	mm	400 - 1000	±0.5	±1.0	mm	400 - 1000	±0.5	±1.0	mm	400 - 1000	±0.5	±1.0	mm

APPROVED BY	CHECKED BY	DRAWN BY
O.C.K	J.Y.H	K.S.J

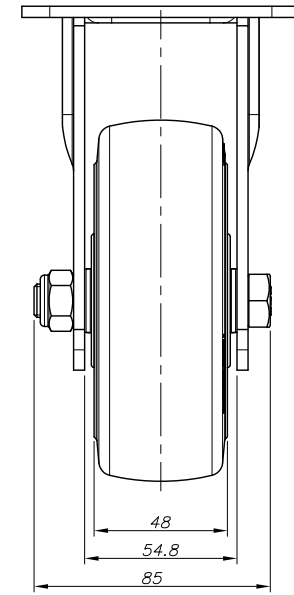
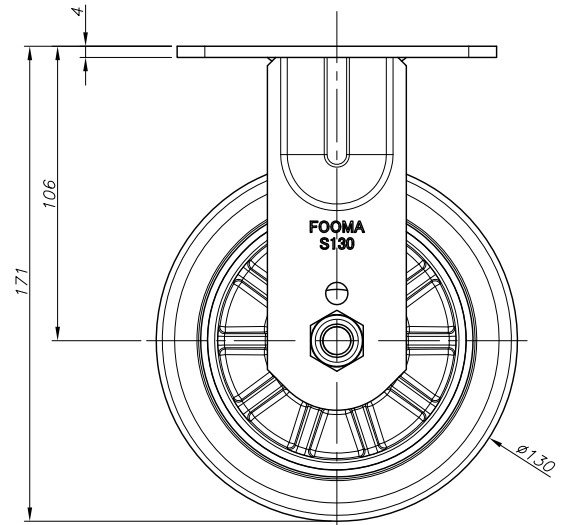
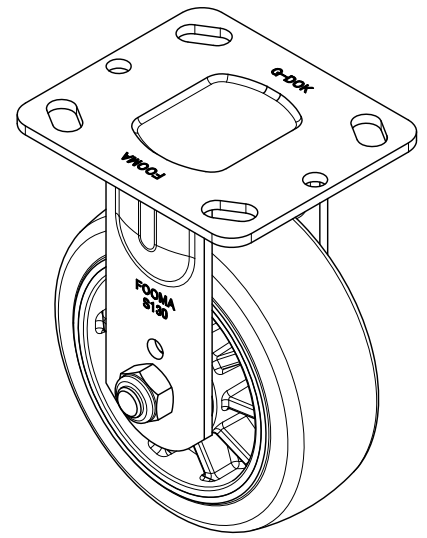
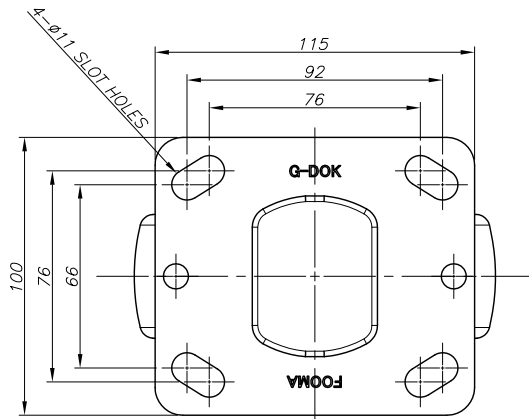
PRODUCT GENERAL TOLERANCE		
CUSTOMER HEIGHT	WHEEL OUTER DIAMETER	WHEEL HUB WIDTH
6 - 30	±0.1	±0.2
30 - 120	±0.15	±0.3
120 - 400	±0.2	±0.5
400 - 1000	±0.3	±0.8

FOOT MASTER®		FOOMA®		G-DOK IND.	
SERIES NAME	SPH-SERIES	DATE	2026.05.18	GSN NO.	4#231-211111 4#232-211111
PRODUCT NAME	SPH-130-BSF-TUD & HRD-PEU	SCALE	1/2	DWG. NO.	4#231-211111 4#232-211111
PART NAME	ASSEMBLY	WEIGHT	--	REVISION	SIZE A3
		GENERAL TOLERANCE	B	ANGLE	⚠

FOOT MASTER G-DOK IND.

REV. NO.	DATE	DESCRIPTION	APP'D	REMARKS
△	-	-	-	-

0



NOTE

1) MATERIAL : STAINLESS

NO.	DESCRIPTION	UNIT	Q'TY	MATERIAL	WEIGHT	SPECIFICATION	REMARKS
--	--	-	-	-	-	-	-

PROCESS	GENERAL TOLERANCE															
MATERIAL	MACHINING WORKING				DIE CASTINGS				INJECTION MOLDING				PRESS WORKING			
	ANG2	PRECISION	GRADE	UNIT	ANG2	PRECISION	GRADE	UNIT	ANG2	PRECISION	GRADE	UNIT	ANG2	PRECISION	GRADE	UNIT
	0.5 - 6	±0.05	±0.1	μm	0.5 - 6	±0.1	±0.2	μm	0.5 - 6	±0.1	±0.2	μm	0.5 - 6	±0.1	±0.2	μm
	6 - 30	±0.1	±0.2	μm	6 - 30	±0.2	±0.3	μm	6 - 30	±0.2	±0.3	μm	6 - 30	±0.2	±0.3	μm
	30 - 120	±0.15	±0.3	μm	30 - 120	±0.3	±0.4	μm	30 - 120	±0.3	±0.4	μm	30 - 120	±0.3	±0.4	μm
	120 - 400	±0.2	±0.5	μm	120 - 400	±0.4	±0.6	μm	120 - 400	±0.4	±0.6	μm	120 - 400	±0.4	±0.6	μm
	400 - 1000	±0.3	±0.8	μm	400 - 1000	±0.5	±1.0	μm	400 - 1000	±0.5	±1.0	μm	400 - 1000	±0.5	±1.0	μm

APPROVED BY	CHECKED BY	DRAWN BY	PRODUCT GENERAL TOLERANCE		
			CASTER HEIGHT	WHEEL OUTER DIAMETER	WHEEL HUB WIDTH
O.C.K	J.Y.H	K.S.J	±0.1	±0.1	±0.1

FOOT MASTER®		FOOMA®		G-DOK IND.	
SERIES NAME	SPH-SERIES	DATE	2026.05.18	GSN NO.	4#221-1111111 4#222-1111111
PRODUCT NAME	SPH-130-ARF-TUD & HRD	SCALE	1/2	DWG. NO.	4#221-1111111 4#222-1111111
PART NAME	ASSEMBLY	WEIGHT	--	REVISION	SIZE A3
		GENERAL TOLERANCE	B	ANGLE	△

FOOT MASTER G-DOK IND.