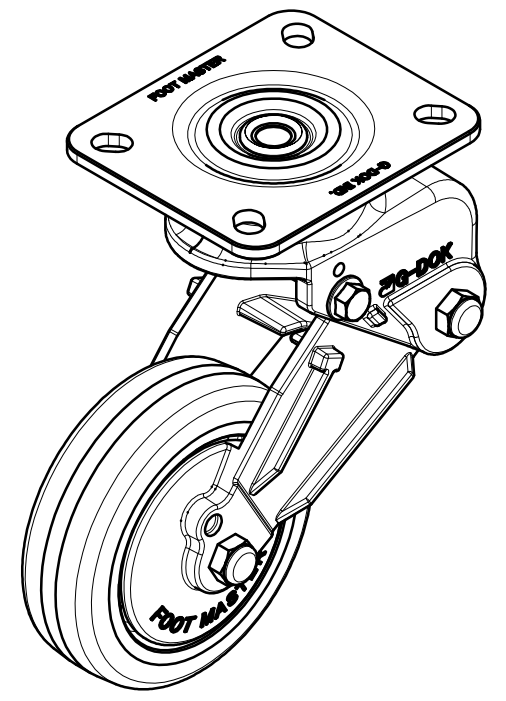
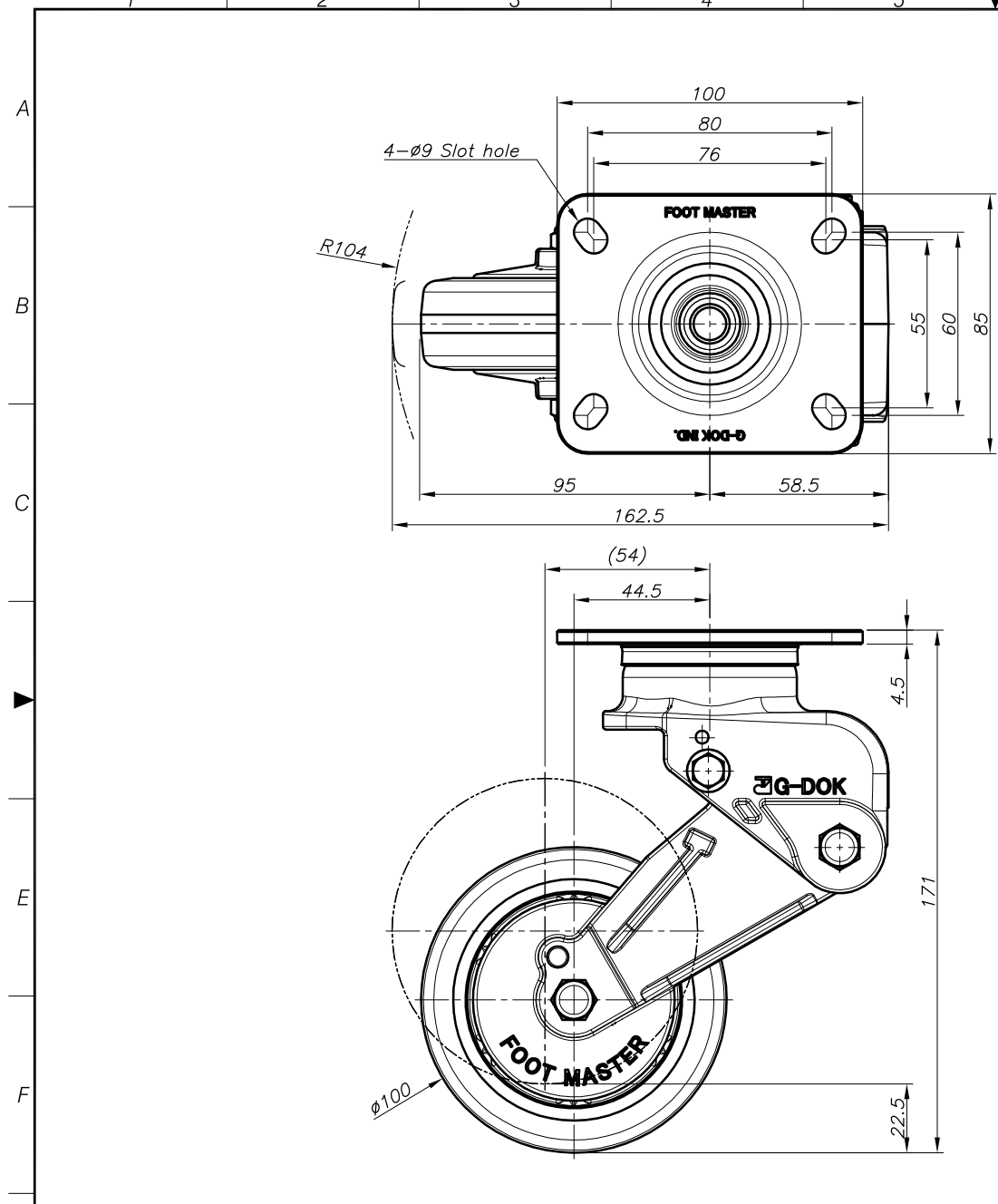


REV. NO.	DATE	DESCRIPTION	APP'D	REMARKS



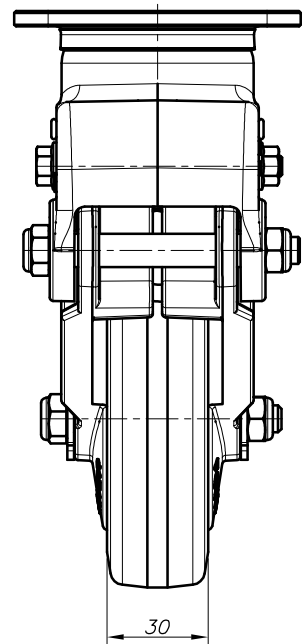
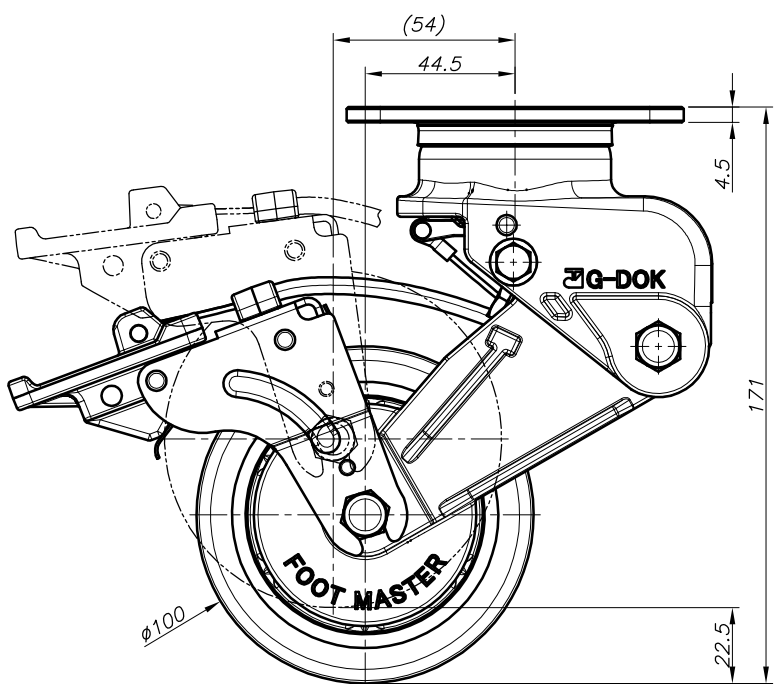
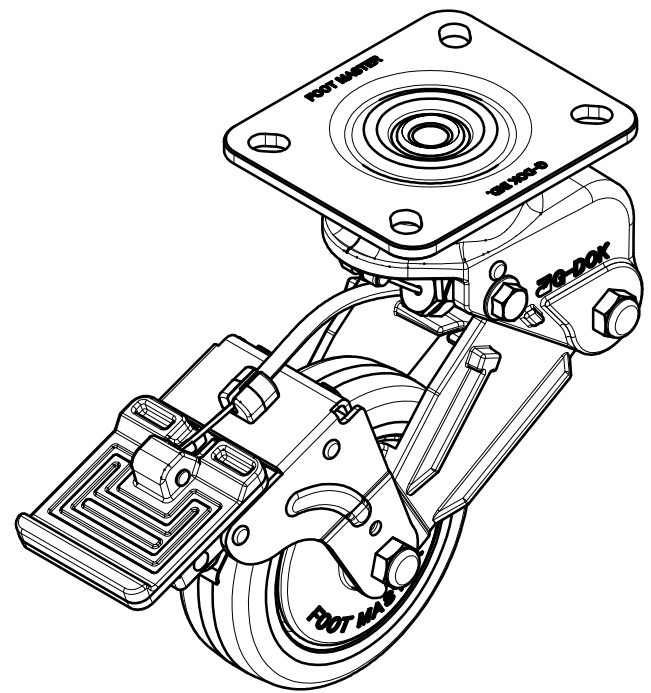
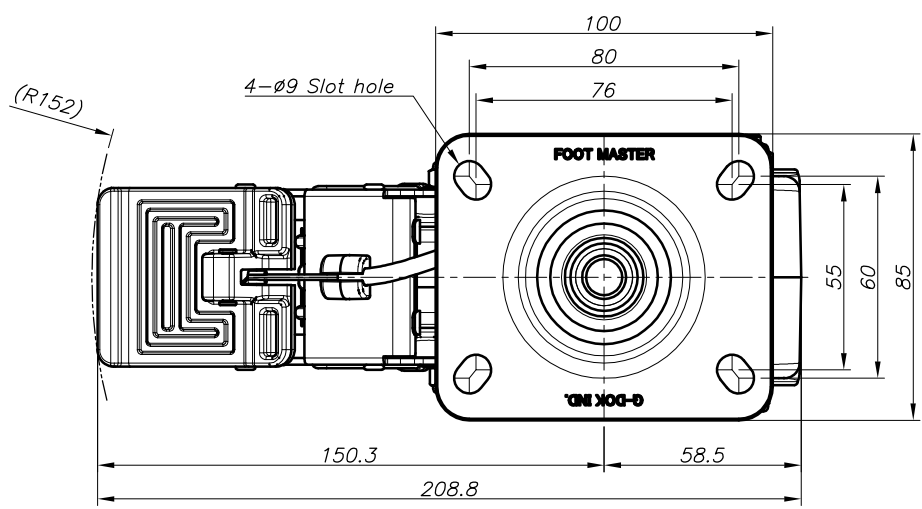
NOTE
 No1) LOAD CAPACITY : 100Kg/pce
 No2) SURFACE TREATMENTS : POWDER COATING & ZINC PLATED

PROCESS	---
MATERIAL	---
APPROVED BY	O.C.K
CHECKED BY	J.Y.H
DRAWN BY	J.Y.S

GENERAL TOLERANCE		CHAMFER	T	ROUND	r	UNIT	mm
MACHINING WORKING		DIE CASTING		INJECTION MOLDING		PRESS WORKING	
FINISH	PRESION	FINISH	FINISH	FINISH	FINISH	FINISH	FINISH
0.5 - 6	±0.05	±0.1	1-0	R0.5	R0.5	1-0	±0.1
6 - 30	±0.1	±0.2	2-0	R1	R1	2-0	±0.1
30 - 120	±0.15	±0.3	3-0	R1.5	R1.5	3-0	±0.15
120 - 400	±0.2	±0.5	4-0	R2	R2	4-0	±0.2
400 - 1000	±0.3	±0.8	5-0	R3	R3	5-0	±0.3

NO.		DESCRIPTION	UNIT	Q'TY	MATERIAL	WEIGHT	SPECIFICATION	REMARKS

SERIES NAME		SHOCK ABSORBING CASTER		DATE	2021.10.11	GSN NO.	-
PRODUCT NAME		GOSB-100-ASF-LUD-PEU, GOSP-100-ARF-LUD-PEU		SCALE	---	DWG. NO.	-
PART NAME		ASSEMBLY		WEIGHT	---	REVISION	SIZE A3
				GENERAL TOLERANCE	B	ANGLE	⚠



NOTE
 No1) LOAD CAPACITY : 100Kg/pce
 No2) SURFACE TREATMENTS : POWDER COATING & ZINC PLATED

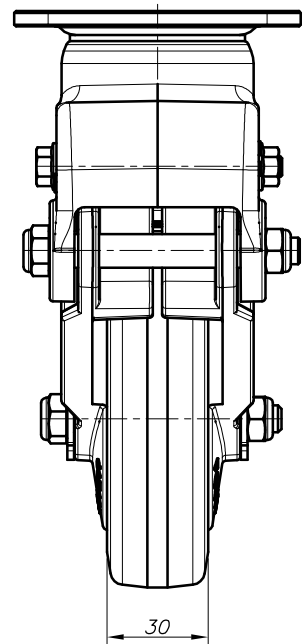
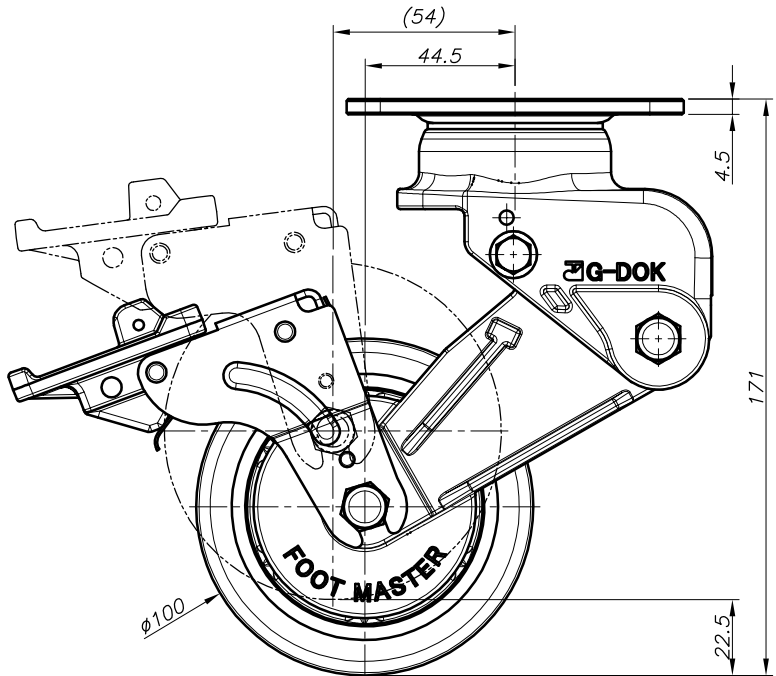
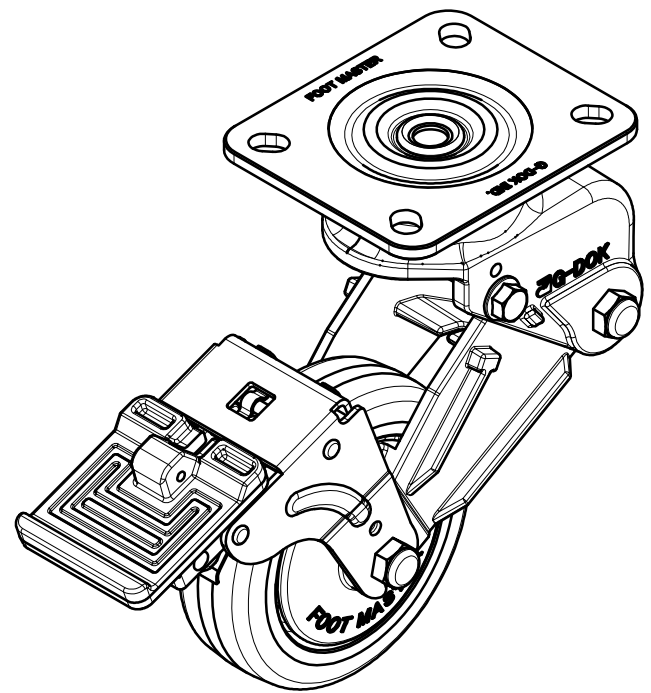
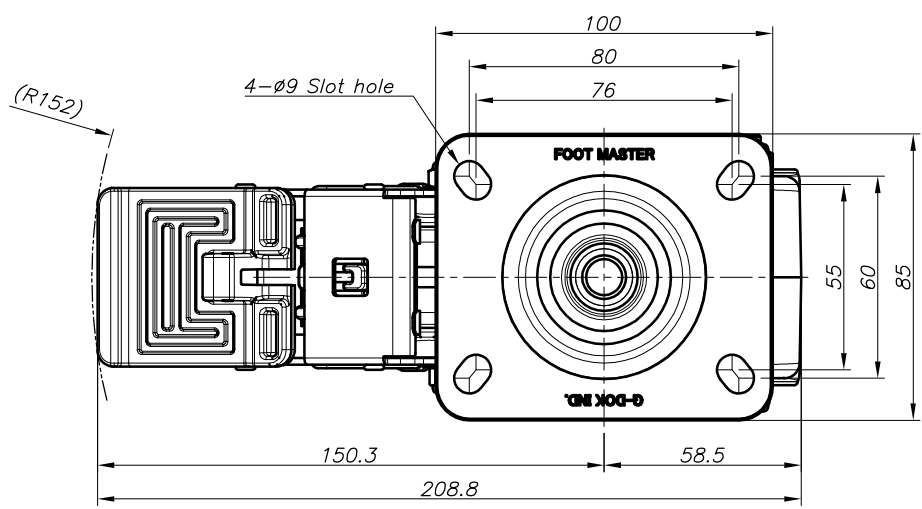
PROCESS	---
MATERIAL	---
APPROVED BY	O.C.K
CHECKED BY	J.Y.H
DRAWN BY	J.Y.S

GENERAL TOLERANCE		CHAMFER	T	ROUND	r	UNIT	mm
FINISH	PRESSURE	FINISH	FINISH	FINISH	FINISH	FINISH	FINISH
0.5 - 6	±0.05	±0.1	1-0	0.5	0.5	1-0	0.5
6 - 30	±0.1	±0.2	2-0	0.5	0.5	2-0	0.5
30 - 120	±0.15	±0.3	3-0	0.5	0.5	3-0	0.5
120 - 400	±0.2	±0.5	4-0	0.5	0.5	4-0	0.5
400 - 1000	±0.3	±0.8	5-0	0.5	0.5	5-0	0.5

NO.		DESCRIPTION	UNIT	Q'TY	MATERIAL	WEIGHT	SPECIFICATION	REMARKS

FOOT MASTER®		FOOMA®		G-DOK IND.	
SERIES NAME	SHOCK ABSORBING CASTER	DATE	2021.10.11	GSN NO.	-
PRODUCT NAME	GDSB-100-BSF-LUD-PEU	SCALE	---	DWG. NO.	-
PART NAME	ASSEMBLY	WEIGHT	---	REVISION	
GENERAL TOLERANCE		B	ANGLE		

FOOT MASTER G-DOK IND.



NOTE
 No1) LOAD CAPACITY : 100Kg/pce
 No2) SURFACE TREATMENTS : POWDER COATING & ZINC PLATED

PROCESS		MATERIAL		APPROVED BY		CHECKED BY		DRAWN BY	
---	---	---	---	O.C.K	J.Y.H	J.Y.S	---	---	---

GENERAL TOLERANCE											
MACHINING BORING			DIE CASTING			ELECTRON BEAM WELDING			PRESS BORING		
FINISH	PRESION (μ)	GENRAL (μ)	FINISH	PRESION (μ)	GENRAL (μ)	FINISH	PRESION (μ)	GENRAL (μ)	FINISH	PRESION (μ)	GENRAL (μ)
0.5 - 6	±0.05	±0.1	1-10	±0.05	±0.1	1-10	±0.05	±0.1	1-10	±0.05	±0.1
6 - 30	±0.1	±0.2	10-30	±0.05	±0.1	10-30	±0.05	±0.1	10-30	±0.05	±0.1
30 - 120	±0.15	±0.3	30-100	±0.05	±0.1	30-100	±0.05	±0.1	30-100	±0.05	±0.1
120 - 400	±0.2	±0.5	100-400	±0.05	±0.1	100-400	±0.05	±0.1	100-400	±0.05	±0.1
400 - 1000	±0.3	±0.8	400-1000	±0.05	±0.1	400-1000	±0.05	±0.1	400-1000	±0.05	±0.1

NO.	DESCRIPTION	UNIT	Q'TY	MATERIAL	WEIGHT	SPECIFICATION	REMARKS
FOOT MASTER® FOOMA® G-DOK IND.							
SERIES NAME		SHOCK ABSORBING CASTER		DATE	2021.10.11	GSN NO.	-
PRODUCT NAME		GDSB-100-BRF-LUD-PEU		SCALE	---	DWG. NO.	-
PART NAME		ASSEMBLY		WEIGHT	---	REVISION	SIZE A3
GENERAL TOLERANCE		B		ANGLE			

FOOT MASTER G-DOK IND.