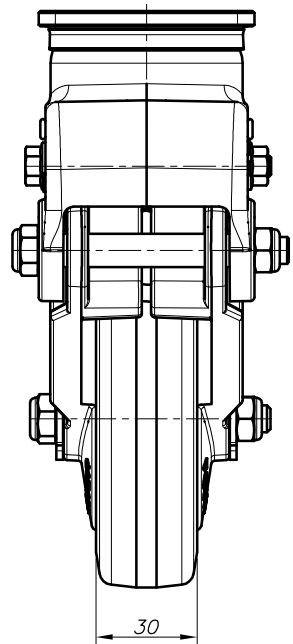
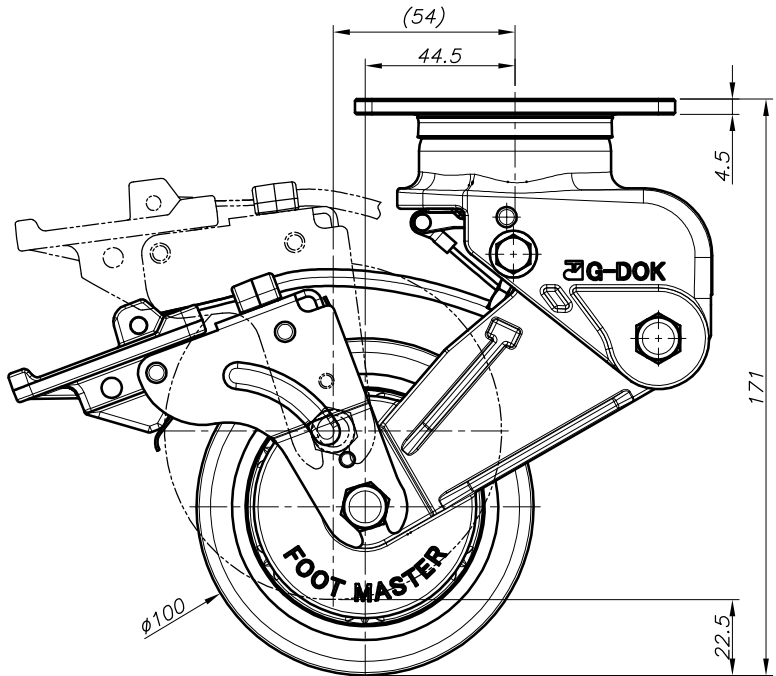
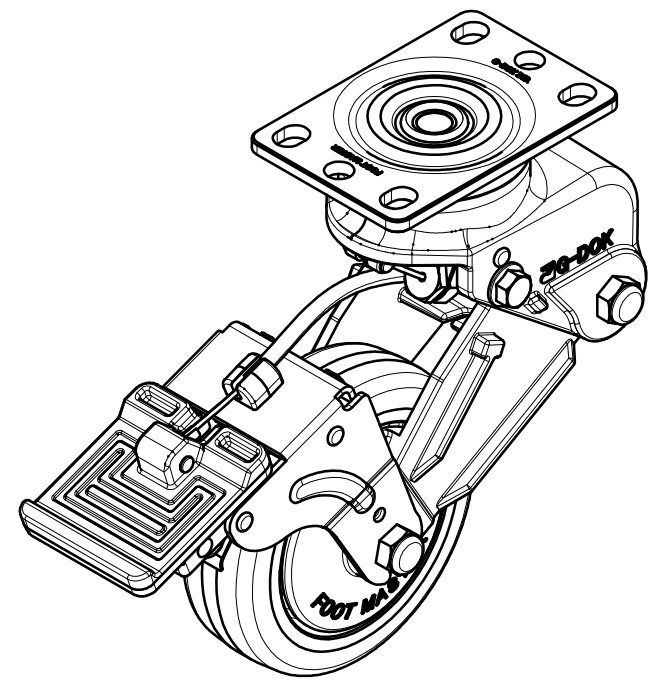
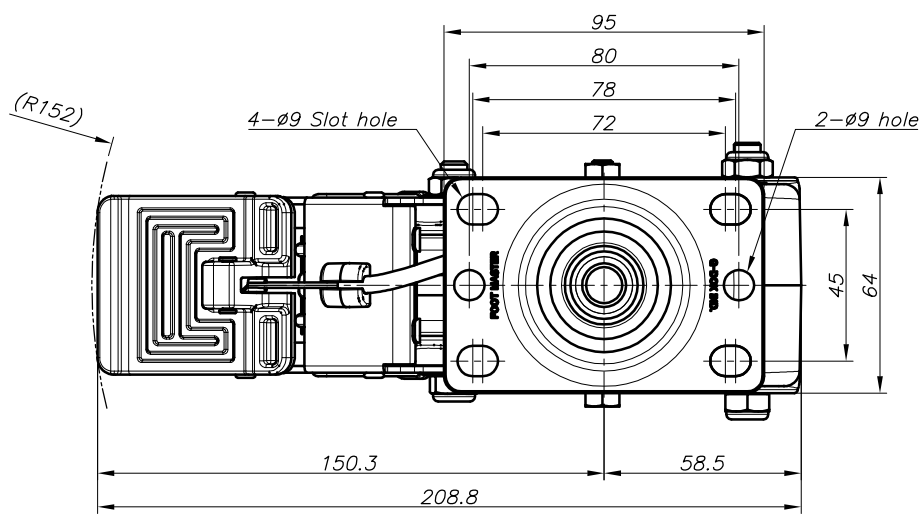


NOTE
 No1) LOAD CAPACITY : 100Kg/pce
 No2) SURFACE TREATMENTS : POWDER COATING & ZINC PLATED

PROCESS	---
MATERIAL	---
APPROVED BY	O.C.K
CHECKED BY	J.Y.H
DRAWN BY	J.Y.S

GENERAL TOLERANCE		CHAMFER	T	ROUND	r	UNIT	mm
MACHINING BORING		DE CASTING		ELECTRON WELDING		PRESS BORING	
MIN	MAX	MIN	MAX	MIN	MAX	MIN	MAX
0.5 - 6	±0.05	±0.1	0-0	0-0	0-0	0-0	0-0
6 - 30	±0.1	±0.2	0-0	0-0	0-0	0-0	0-0
30 - 120	±0.15	±0.3	0-0	0-0	0-0	0-0	0-0
120 - 400	±0.2	±0.5	0-0	0-0	0-0	0-0	0-0
400 - 1000	±0.3	±0.8	0-0	0-0	0-0	0-0	0-0

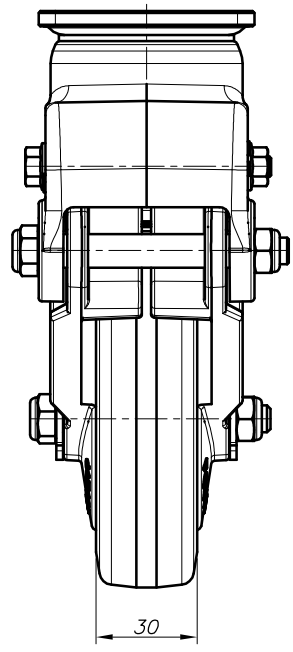
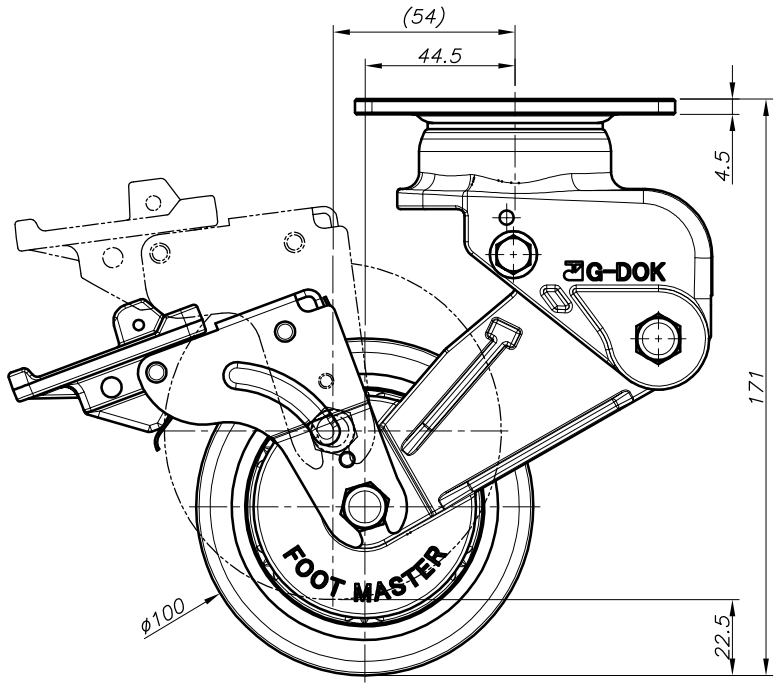
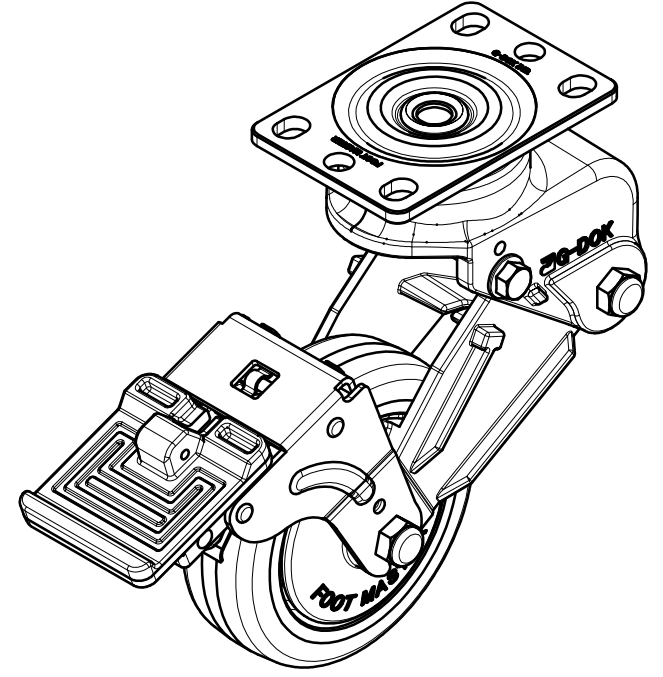
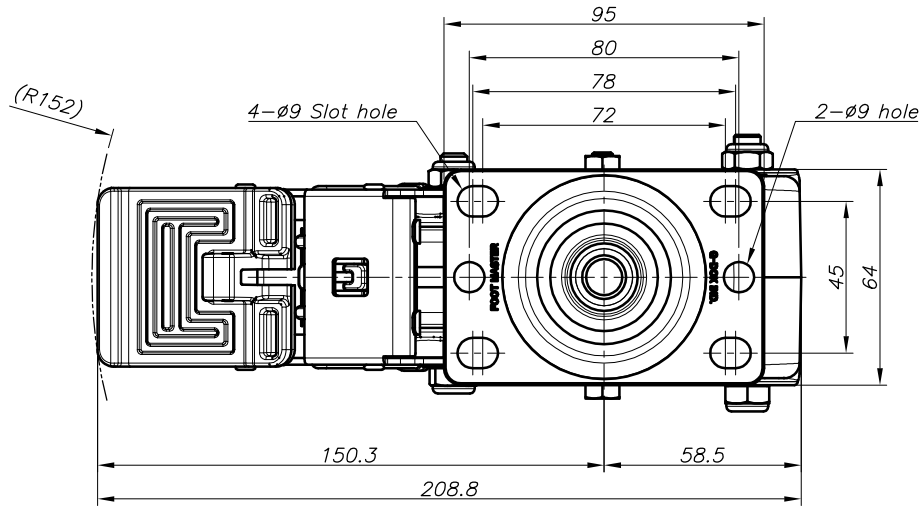
NO.		DESCRIPTION	UNIT	Q'TY	MATERIAL	WEIGHT	SPECIFICATION	REMARKS
SERIES NAME		FOOT MASTER®		FOOMA®		G-DOK IND.		
PRODUCT NAME		SHOCK ABSORBING CASTER		DATE	2021.10.11	GSN NO.	-	
PART NAME		ASSEMBLY		SCALE	---	DWG. NO.	-	
				WEIGHT	---	REVISION	SIZE	A3
				GENERAL TOLERANCE	B	ANGLE		



NOTE
 No1) LOAD CAPACITY : 100Kg/pce
 No2) SURFACE TREATMENTS : POWDER COATING & ZINC PLATED

PROCESS		GENERAL TOLERANCE									
MATERIAL		MACHINING BORING		DE CASTING		ELECTRON BEAM		PRESS BORING		UNIT	
APPROVED BY	CHECKED BY	CHAMFER	T	ROUND	T	UNIT	mm	mm	mm	mm	mm
O.C.K	J.Y.H	0.5-6	±0.05	±0.1	1-10	±0.1	±0.1	1-10	±0.1	±0.1	±0.1
J.Y.S		6-30	±0.1	±0.2	10-30	±0.1	±0.1	10-30	±0.1	±0.1	±0.1
		30-120	±0.15	±0.3	30-120	±0.1	±0.1	30-120	±0.1	±0.1	±0.1
		120-400	±0.2	±0.5	120-400	±0.1	±0.1	120-400	±0.1	±0.1	±0.1
		400-1000	±0.3	±0.8	400-1000	±0.1	±0.1	400-1000	±0.1	±0.1	±0.1

NO.	DESCRIPTION	UNIT	Q'TY	MATERIAL	WEIGHT	SPECIFICATION	REMARKS
FOOT MASTER®		FOOMA®		G-DOK IND.			
SERIES NAME	SHOCK ABSORBING CASTER			DATE	2021.10.11	GSN NO.	-
PRODUCT NAME	GDSB-100-BSF-LUD-PUS			SCALE	--	DWG. NO.	-
PART NAME	ASSEMBLY			WEIGHT	--	REVISION	SIZE A3
				GENERAL TOLERANCE	B	ANGLE	⊕ ⊖



NOTE
 No1) LOAD CAPACITY : 100Kg/pce
 No2) SURFACE TREATMENTS : POWDER COATING & ZINC PLATED

PROCESS	---
MATERIAL	---
APPROVED BY	O.C.K
CHECKED BY	J.Y.H
DRAWN BY	J.Y.S

GENERAL TOLERANCE		CHAMFER	T	ROUND	r	UNIT	mm
MACHINING BORING		DE CASTING		ELECTRON BEAMING		PRESS BORING	
FINISH	PRECISION	FINISH	PRECISION	FINISH	PRECISION	FINISH	PRECISION
0.5 - 6	±0.05	±0.1	1-0	R0.5	0.5	1-0	0.1
6 - 30	±0.1	±0.2	2-0	R1	0.5	2-0	0.1
30 - 120	±0.15	±0.3	3-0	R1.5	0.5	3-0	0.1
120 - 400	±0.2	±0.5	4-0	R2	0.5	4-0	0.1
400 - 1000	±0.3	±0.8	5-0	R3	0.5	5-0	0.1

NO.		DESCRIPTION	UNIT	Q'TY	MATERIAL	WEIGHT	SPECIFICATION	REMARKS
SERIES NAME		FOOT MASTER®		FOOMA®		G-DOK IND.		
PRODUCT NAME		SHOCK ABSORBING CASTER		DATE	2021.10.11	GSN NO.	-	
PART NAME		ASSEMBLY		SCALE	---	DWG. NO.	-	
				WEIGHT	---	REVISION	SIZE	A3
				GENERAL TOLERANCE	B	ANGLE		

FOOT MASTER G-DOK IND.