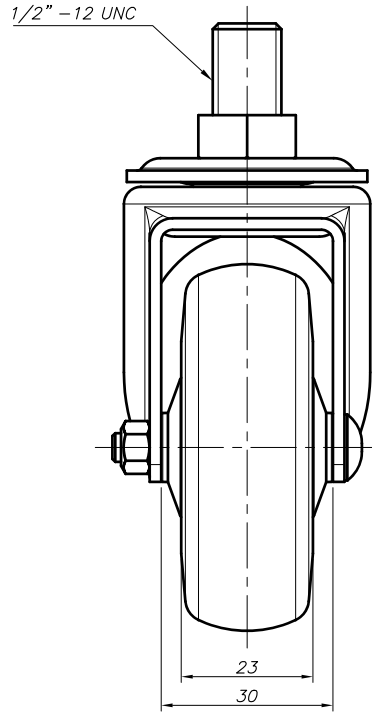
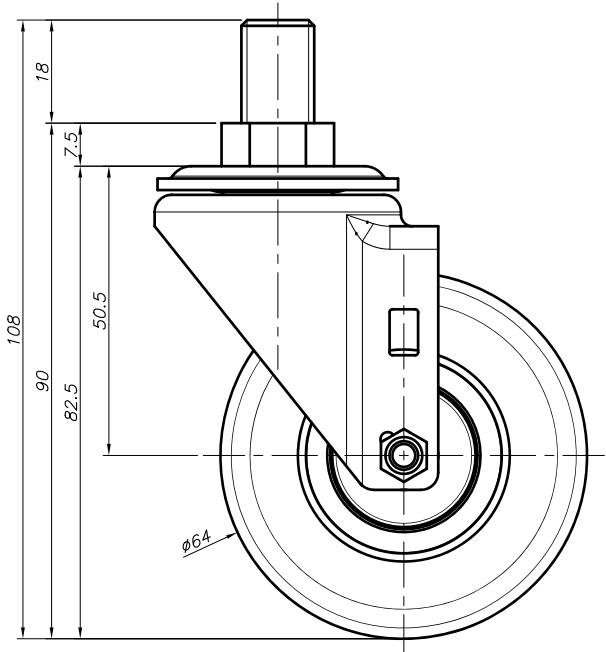
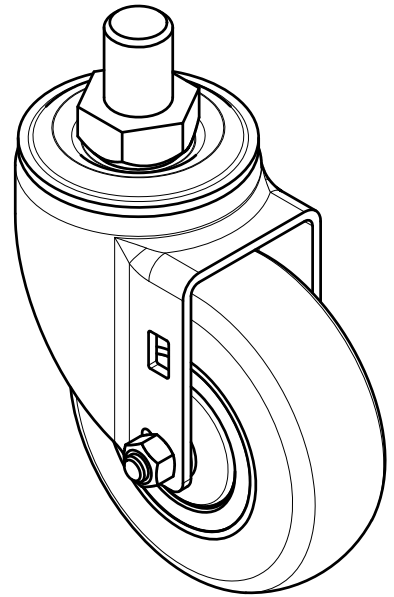
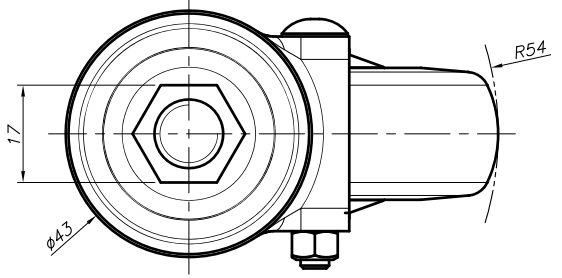
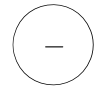


REV. NO.	DATE	DESCRIPTION	APP'D	REMARKS
▲	-	-	-	-



NOTE

※ 1) --

PROCESS		MATERIAL		APPROVED BY		CHECKED BY		DRAWN BY	
---		---		O.C.K		J.Y.H		J.Y.S	

GENERAL TOLERANCE									
MACHINING WORKING			DIE CASTING		INJECTION MOLDING		PRESS WORKING		
FINISH	PRECISION	GENERAL	FINISH	PRECISION	FINISH	PRECISION	FINISH	PRECISION	GENERAL
0.5 - 6	±0.05	±0.1	1-#	±0.05	1-#	±0.05	1-#	±0.05	±0.1
6 - 30	±0.1	±0.2	2-#	±0.1	2-#	±0.1	2-#	±0.1	±0.2
30 - 120	±0.15	±0.3	3-#	±0.15	3-#	±0.15	3-#	±0.15	±0.3
120 - 400	±0.2	±0.5	4-#	±0.2	4-#	±0.2	4-#	±0.2	±0.5
400 - 1000	±0.3	±0.8	5-#	±0.3	5-#	±0.3	5-#	±0.3	±0.8

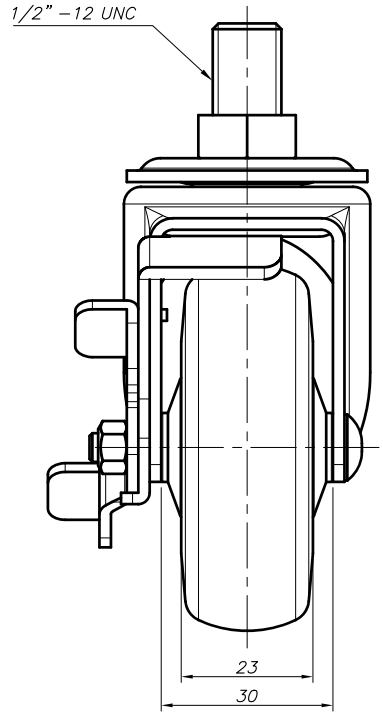
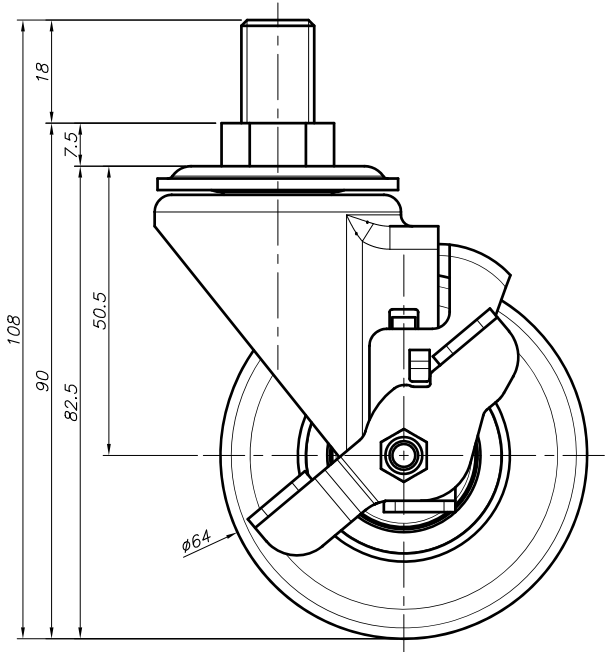
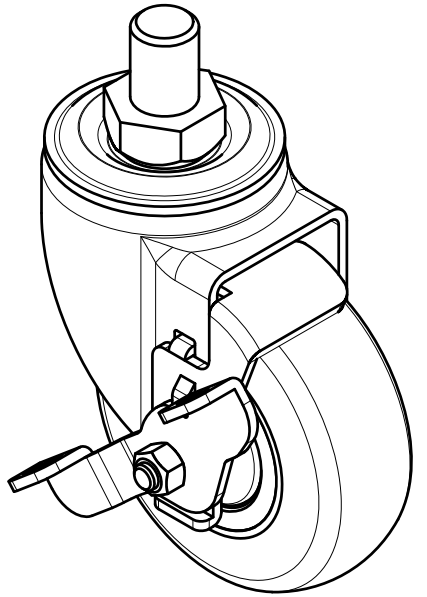
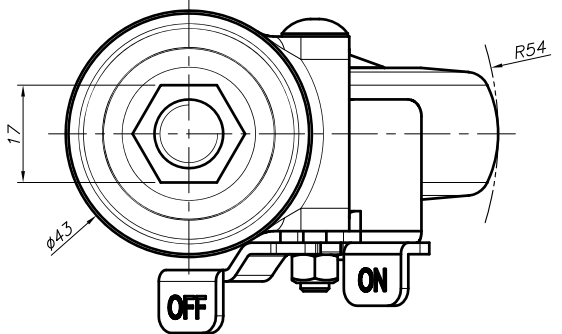
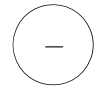
PRODUCT GENERAL TOLERANCE		
CASTER HEIGHT	WHEEL OUTER DIAMETER	WHEEL HUB WIDTH
±0.5% (MIN:0.5mm)	±1% (MIN:1mm)	±1% (MIN:0.5mm)
±0.5% (MIN:0.5mm)	±1% (MIN:1mm)	±1% (MIN:0.5mm)
±0.5% (MIN:0.5mm)	±1% (MIN:1mm)	±1% (MIN:0.5mm)

NO.	DESCRIPTION	UNIT	Q'TY	MATERIAL	WEIGHT	SPECIFICATION	REMARKS
--	--	-	-	-	-	-	-

FOOT MASTER®		FOOMA®		G-DOK IND.	
SERIES NAME	GL-SERIES	DATE	2024.01.11	GSN NO.	-
PRODUCT NAME	GL-65-ASS-EUS	SCALE	1/1	DWG. NO.	-
PART NAME	ASSEMBLY	WEIGHT	--	REVISION	SIZE A3
GENERAL TOLERANCE		--	ANGLE		⊕ ⊖

FOOT MASTER G-DOK IND.

REV. NO.	DATE	DESCRIPTION	APP'D	REMARKS
▲	-	-	-	-



NOTE

※ 1) --

PROCESS		MATERIAL		APPROVED BY		CHECKED BY		DRAWN BY	
---		---		O.C.K		J.Y.H		J.Y.S	

PRODUCT GENERAL TOLERANCE									
CASTER HEIGHT	WHEEL OUTER DIAMETER	WHEEL HUB WIDTH	GENERAL	PRECISION	GENERAL	PRECISION	GENERAL	PRECISION	GENERAL
6 - 30	±0.1	±0.2	±0.1	±0.05	±0.1	±0.2	±0.1	±0.05	±0.1
30 - 120	±0.15	±0.3	±0.15	±0.075	±0.15	±0.3	±0.15	±0.075	±0.15
120 - 400	±0.2	±0.5	±0.2	±0.1	±0.2	±0.5	±0.2	±0.1	±0.2
400 - 1000	±0.3	±0.8	±0.3	±0.15	±0.3	±0.8	±0.3	±0.15	±0.3

GENERAL TOLERANCE		CHAMFER	0.5	ROUND	0.5	UNIT	mm
FINISH	PRECISION	GENERAL	PRECISION	FINISH	PRECISION	GENERAL	PRECISION
0.5 - 6	±0.05	±0.1	R-0.1	R-0.1	R-0.1	R-0.1	R-0.1
6 - 30	±0.1	±0.2	R-0.2	R-0.2	R-0.2	R-0.2	R-0.2
30 - 120	±0.15	±0.3	R-0.3	R-0.3	R-0.3	R-0.3	R-0.3
120 - 400	±0.2	±0.5	R-0.5	R-0.5	R-0.5	R-0.5	R-0.5
400 - 1000	±0.3	±0.8	R-0.8	R-0.8	R-0.8	R-0.8	R-0.8

FOOT MASTER®		FOOMA®		G-DOK IND.	
SERIES NAME	GL-SERIES	DATE	2024.01.11	GSN NO.	-
PRODUCT NAME	GL-65-BSS-EUS	SCALE	1/1	DWG. NO.	-
PART NAME	ASSEMBLY	WEIGHT	--	REVISION	SIZE A3
		GENERAL TOLERANCE	--	ANGLE	▲

FOOT MASTER G-DOK IND.