

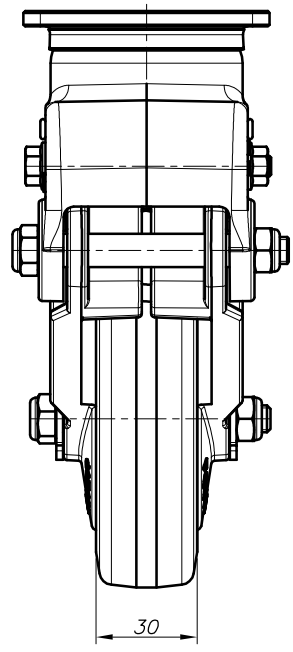
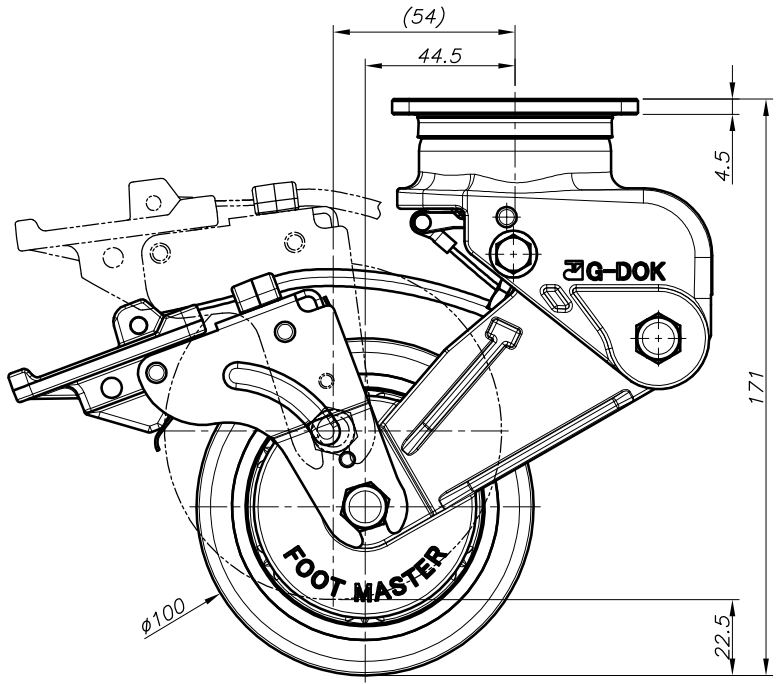
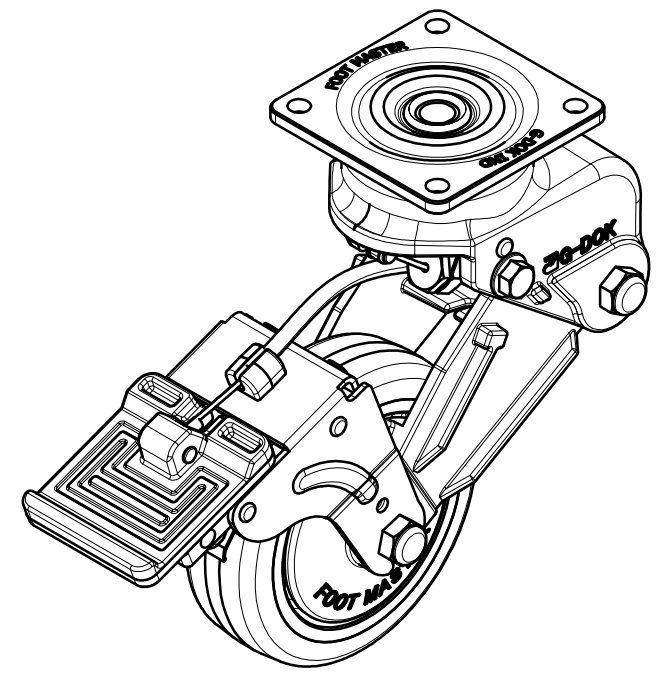
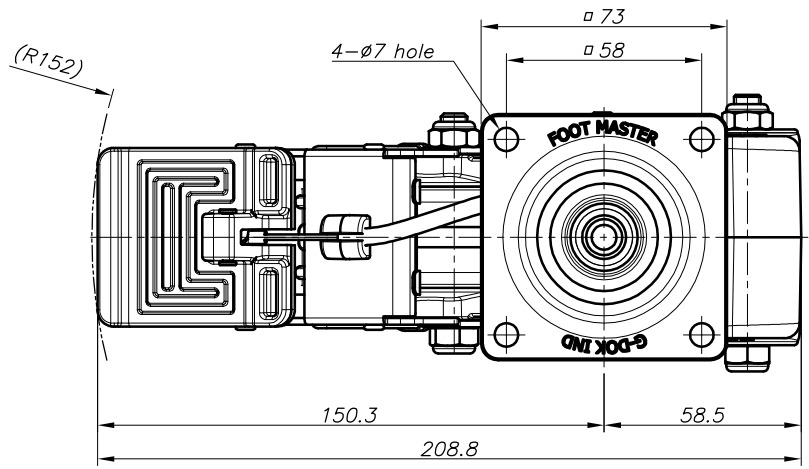
**NOTE**  
 No1) LOAD CAPACITY : 100Kg/pce  
 No2) SURFACE TREATMENTS : POWDER COATING & ZINC PLATED

PROCESS	---
MATERIAL	---
APPROVED BY	O.C.K
CHECKED BY	J.Y.H
DRAWN BY	J.Y.S

GENERAL TOLERANCE		CHAMFER	T	ROUND	r	UNIT	mm
MACHINING BORING		DE CASTING		ELECTRON WELDING		PRESS BORING	
MINI	PRESION	MINI	MINI	MINI	MINI	MINI	MINI
0.5 - 6	±0.05	±0.1	1-0	0.5	0.5	1-0	0.5
6 - 30	±0.1	±0.2	2-0	0.5	0.5	2-0	0.5
30 - 120	±0.15	±0.3	3-0	0.5	0.5	3-0	0.5
120 - 400	±0.2	±0.5	4-0	0.5	0.5	4-0	0.5
400 - 1000	±0.3	±0.8	5-0	0.5	0.5	5-0	0.5

NO.		DESCRIPTION	UNIT	Q'TY	MATERIAL	WEIGHT	SPECIFICATION	REMARKS
		<b>FOOT MASTER®</b>			<b>FOOMA®</b>			<b>G-DOK IND.</b>
SERIES NAME		SHOCK ABSORBING CASTER		DATE	2021.10.11	GSN NO.	-	
PRODUCT NAME		GDSB-100-ASF-LUD, GDSB-100-ARF-LUD		SCALE	---	DWG. NO.	-	
PART NAME		ASSEMBLY		WEIGHT	---	REVISION	SIZE	A3
				GENERAL TOLRANCE	B	ANGLE		

A  
B  
C  
E  
F  
G

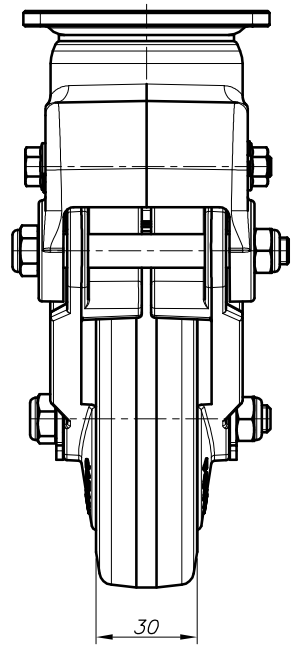
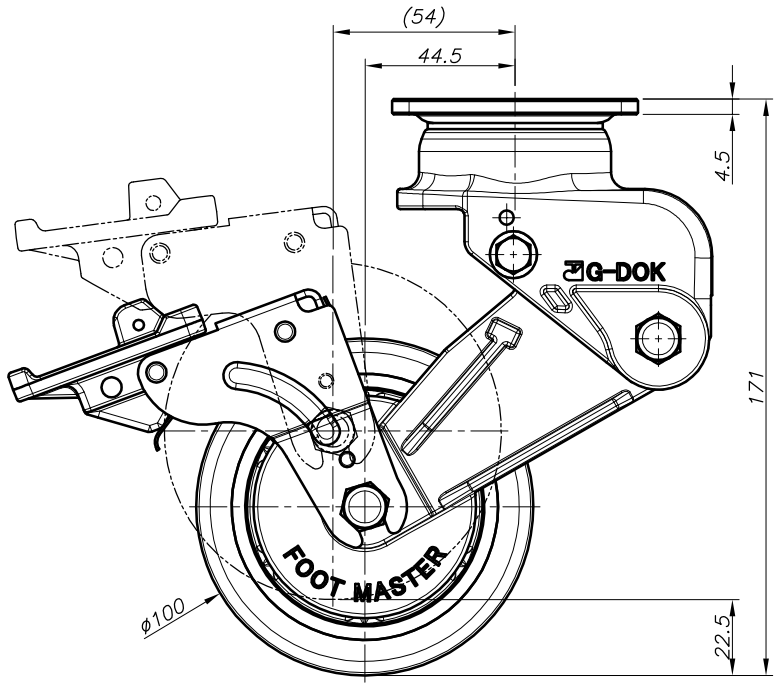
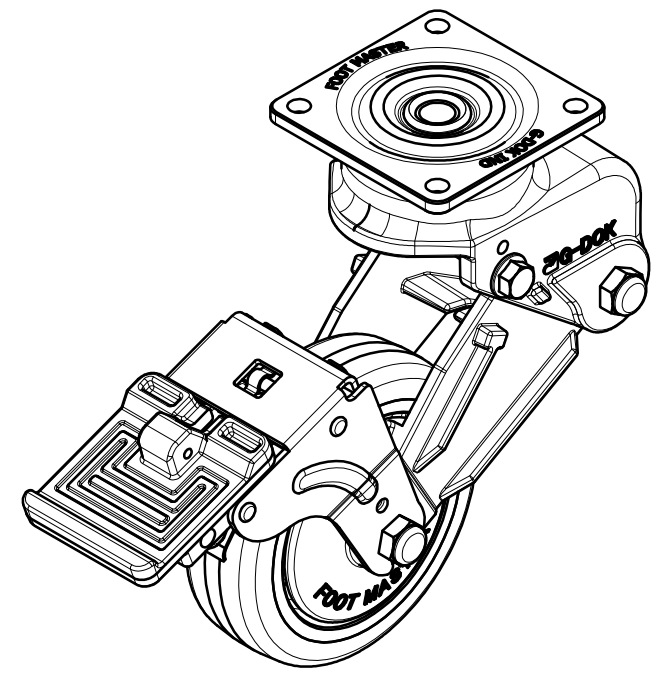
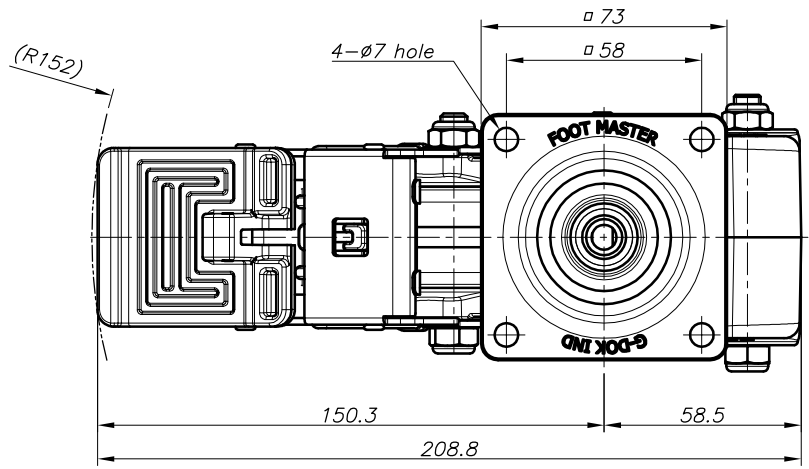


**NOTE**  
 No1) LOAD CAPACITY : 100Kg/pce  
 No2) SURFACE TREATMENTS : POWDER COATING & ZINC PLATED

PROCESS		GENERAL TOLERANCE																	
MATERIAL		MACHINING WORKING				DIE CASTING				ELECTRON BEAM WELDING				PRESS WORKING					
APPROVED BY		CASTER HEIGHT		WHEEL OUTER DIAMETER		WHEEL HUB WIDTH		INNER		MIDDLE		OUTER		INNER		MIDDLE		OUTER	
O.C.K	J.Y.H	6-30	ø1.1	ø1.2	ø1.3	ø1.4	ø1.5	ø1.6	ø1.7	ø1.8	ø1.9	ø2.0	ø2.1	ø2.2	ø2.3	ø2.4	ø2.5	ø2.6	ø2.7
		30-120	ø1.15	ø1.3	ø1.5	ø1.7	ø1.9	ø2.1	ø2.3	ø2.5	ø2.7	ø2.9	ø3.1	ø3.3	ø3.5	ø3.7	ø3.9	ø4.1	ø4.3
		120-400	ø1.2	ø1.5	ø1.8	ø2.1	ø2.4	ø2.7	ø3.0	ø3.3	ø3.6	ø3.9	ø4.2	ø4.5	ø4.8	ø5.1	ø5.4	ø5.7	ø6.0
		400-1000	ø1.3	ø1.6	ø2.0	ø2.4	ø2.8	ø3.2	ø3.6	ø4.0	ø4.4	ø4.8	ø5.2	ø5.6	ø6.0	ø6.4	ø6.8	ø7.2	ø7.6

FOOT MASTER®		FOOMA®		G-DOK IND.		
SERIES NAME	SHOCK ABSORBING CASTER		DATE	2021.10.11	GSN NO.	-
PRODUCT NAME	GDSB-100-BSF-LUD		SCALE	--	DWG. NO.	-
PART NAME	ASSEMBLY		WEIGHT	--	REVISION	SIZE A3
			GENERAL TOLERANCE	B	ANGLE	⊕ ⊖

FOOT MASTER G-DOK IND.



**NOTE**  
 No1) LOAD CAPACITY : 100Kg/pce  
 No2) SURFACE TREATMENTS : POWDER COATING & ZINC PLATED

PROCESS	---
MATERIAL	---
APPROVED BY	O.C.K
CHECKED BY	J.Y.H
DRAWN BY	J.Y.S

GENERAL TOLERANCE		CHAMFER	T	ROUND	r	UNIT	mm
		DE CASTING	ELECTION MOLDING		PRESS BURNING		
FINISH	PRESION	FINISH	FINISH	FINISH	FINISH	FINISH	FINISH
0.5 - 6	±0.05	±0.1	±0.05	±0.05	±0.05	±0.05	±0.05
6 - 30	±0.1	±0.2	±0.1	±0.1	±0.1	±0.1	±0.1
30 - 120	±0.15	±0.3	±0.1	±0.1	±0.1	±0.1	±0.1
120 - 400	±0.2	±0.5	±0.1	±0.1	±0.1	±0.1	±0.1
400 - 1000	±0.3	±0.8	±0.1	±0.1	±0.1	±0.1	±0.1

FOOT MASTER®		FOOMA®		G-DOK IND.	
SERIES NAME	SHOCK ABSORBING CASTER	DATE	2021.10.11	GSN NO.	-
PRODUCT NAME	GDSB-100-BRF-LUD	SCALE	---	DWG. NO.	-
PART NAME	ASSEMBLY	WEIGHT	---	REVISION	SIZE A3
		GENERAL TOLERANCE	B	ANGLE	⚠

FOOT MASTER G-DOK IND.