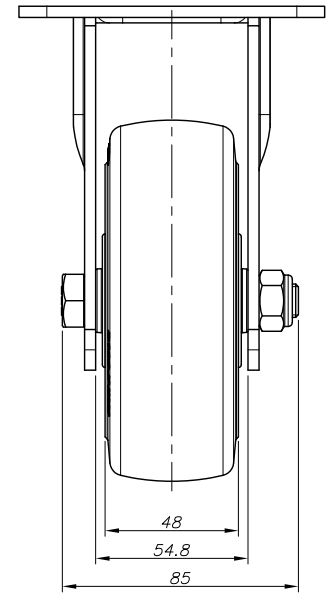
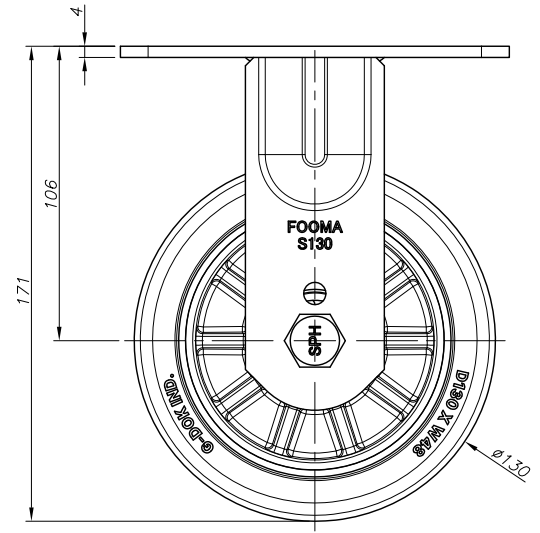
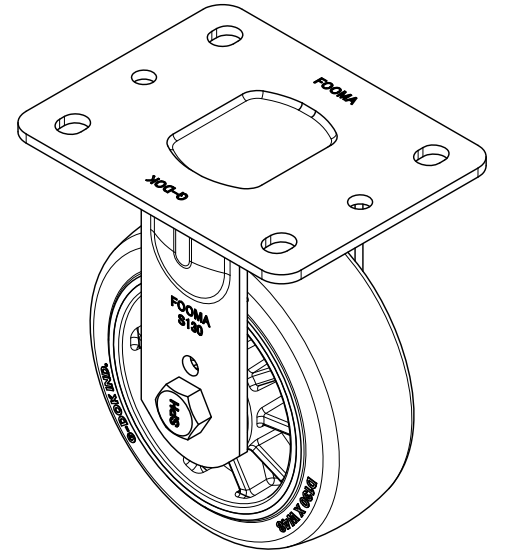
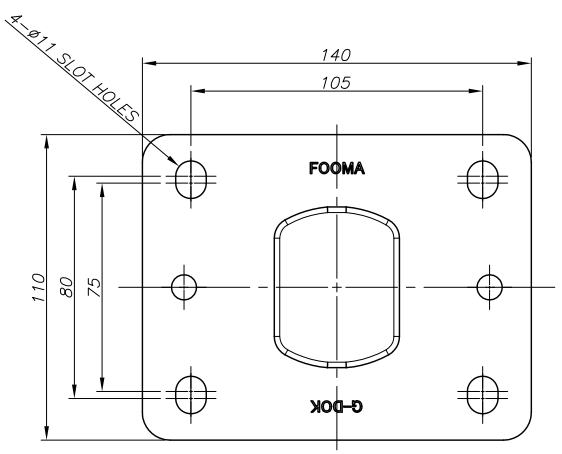


REV. NO.	DATE	DESCRIPTION	APP'D	REMARKS
△	-	-	-	-

0



NOTE
 1) MATERIAL : STAINLESS

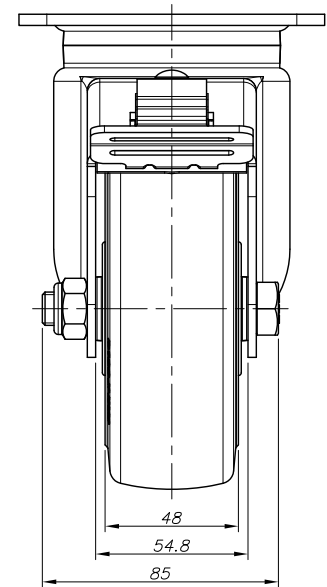
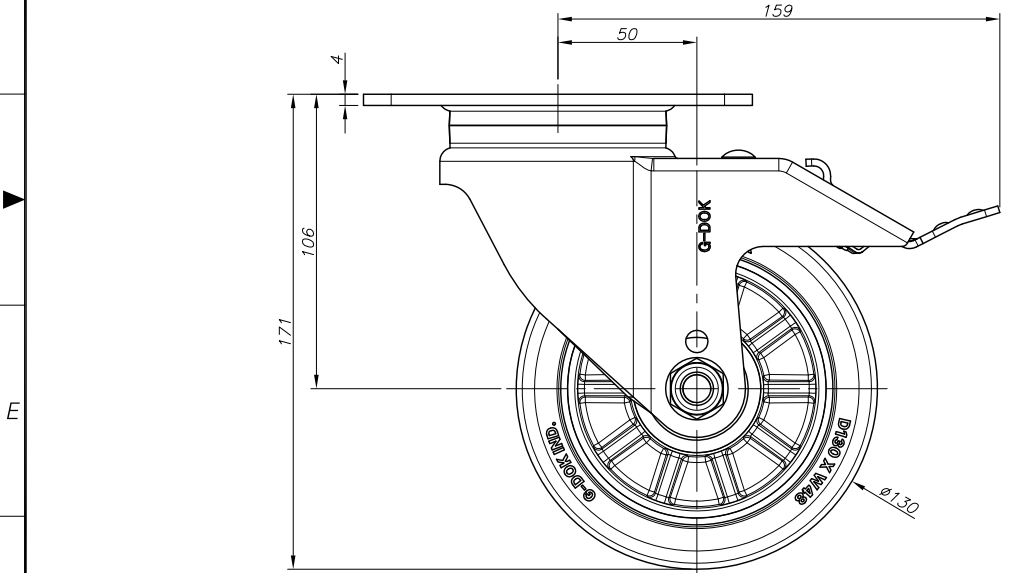
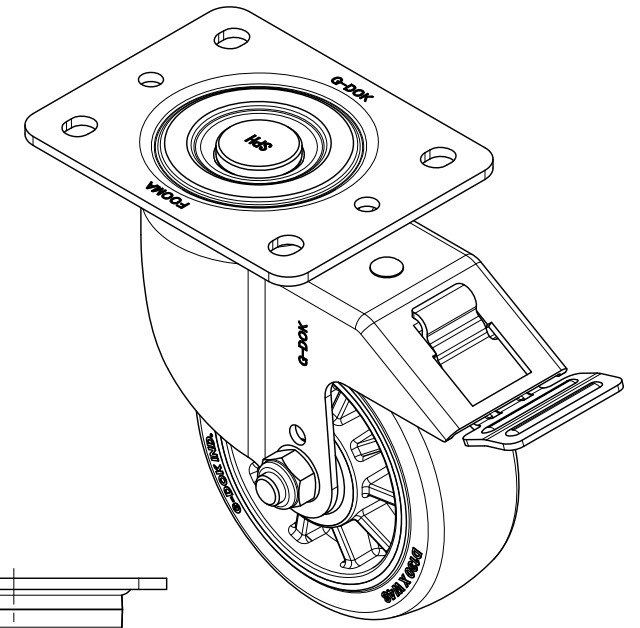
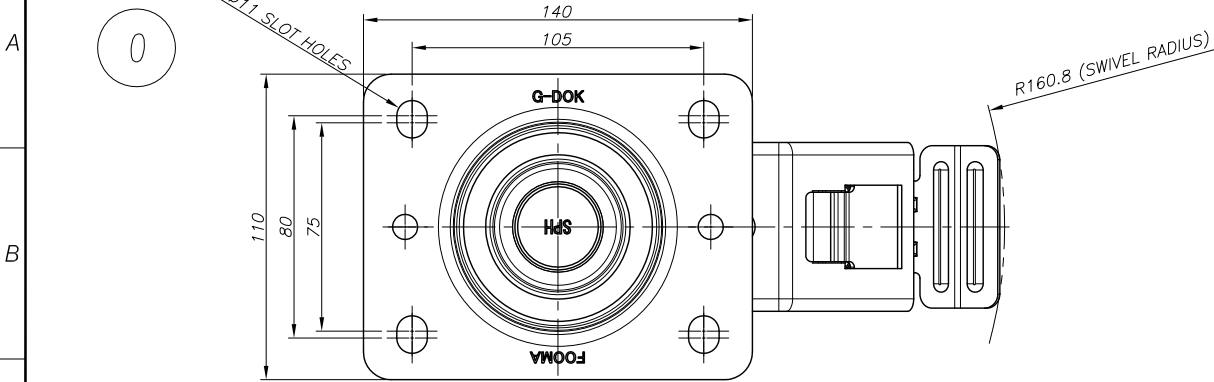
PROCESS		MATERIAL		APPROVED BY		CHECKED BY		DRAWN BY	
---		---		O.C.K		J.Y.H		K.S.J	

GENERAL TOLERANCE											
MACHINING WORKING		DIE CASTINGS		INJECTION MOLDING		PRESS WORKING		CHAMFER		ROUND	
UNIT	mm	mm	mm	mm	mm	mm	mm	mm	mm	mm	mm
0.5 - 6	±0.15	±0.1	±0.2	±0.2	±0.2	±0.2	±0.2	±0.2	0.5	0.5	0.5
6 - 30	±0.1	±0.2	±0.2	±0.2	±0.2	±0.2	±0.2	0.5	0.5	0.5	0.5
30 - 120	±0.15	±0.2	±0.2	±0.2	±0.2	±0.2	±0.2	0.5	0.5	0.5	0.5
120 - 400	±0.2	±0.2	±0.2	±0.2	±0.2	±0.2	±0.2	0.5	0.5	0.5	0.5
400 - 1000	±0.3	±0.2	±0.2	±0.2	±0.2	±0.2	±0.2	0.5	0.5	0.5	0.5

FOOT MASTER®			FOOMA®			G-DOK IND.		
SERIES NAME	SPH-SERIES	DATE	2026.05.18	GSN NO.	4H221-2111111 4H222-2111111			
PRODUCT NAME	SPH-130-ARF-TUD & HRD-PEU	SCALE	1/2	DWG. NO.	4H221-2111111 4H222-2111111			
PART NAME	ASSEMBLY	WEIGHT	---	REVISION	SIZE A3			
GENERAL TOLERANCE		B	ANGLE		△			

FOOT MASTER G-DOK IND.

REV. NO.	DATE	DESCRIPTION	APP'D	REMARKS
-	-	-	-	-



NOTE
 1) MATERIAL : STAINLESS

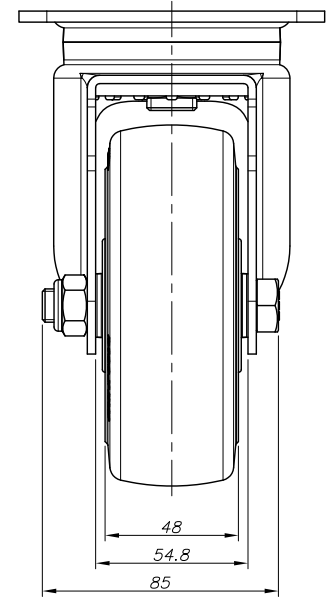
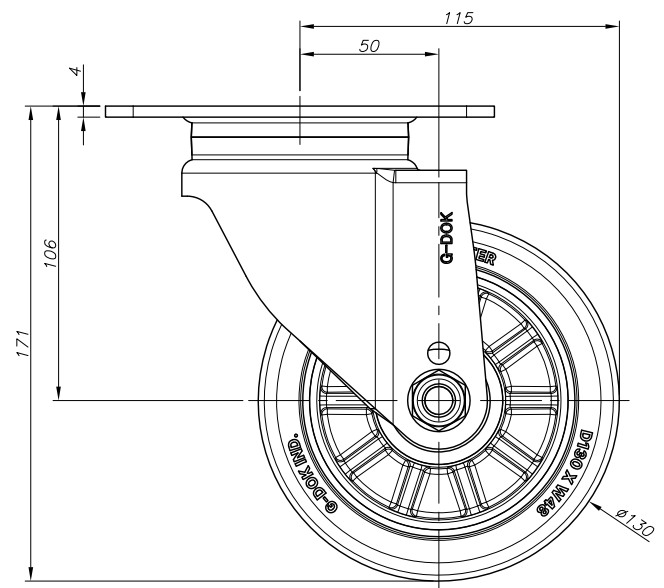
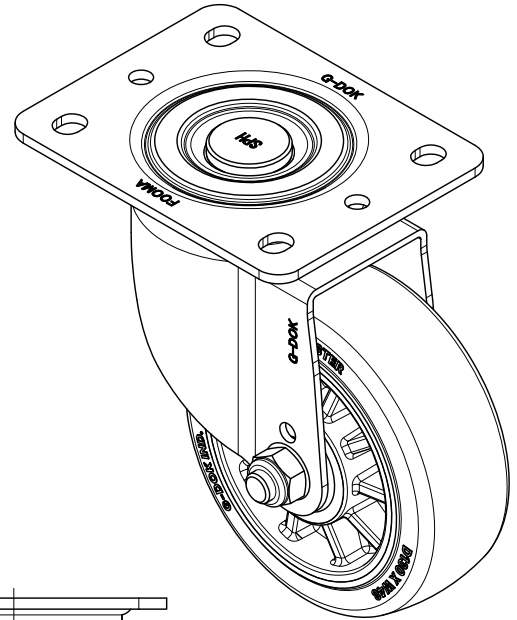
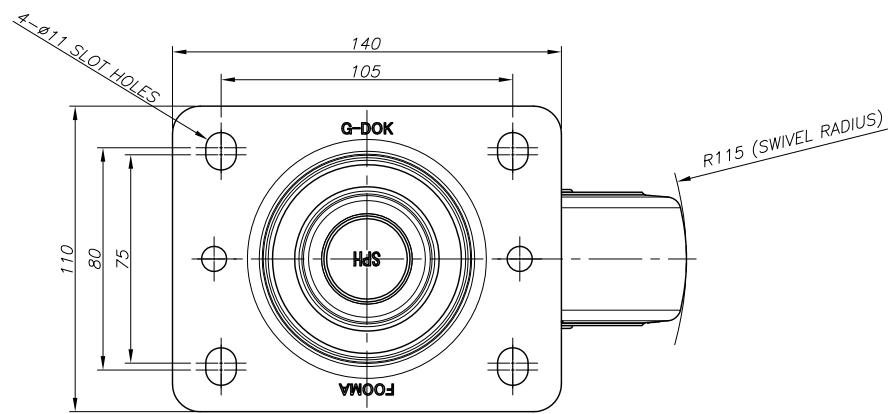
PROCESS	GENERAL TOLERANCE											
MATERIAL	MACHINING WORKING			DIE CASTINGS			INJECTION MOLDING			PRESS WORKING		
	FINISH	PRECISION	CONVEX	FINISH	PRECISION	CONVEX	FINISH	PRECISION	CONVEX	FINISH	PRECISION	CONVEX
	0.5 - 6	±0.05	±0.1	P-3	0.5	0.1	P-3	0.5	0.1	P-3	0.5	0.1
	6 - 30	±0.1	±0.2	P-3	0.5	0.1	P-3	0.5	0.1	P-3	0.5	0.1
	30 - 120	±0.15	±0.3	P-3	0.5	0.1	P-3	0.5	0.1	P-3	0.5	0.1
	120 - 400	±0.2	±0.5	P-3	0.5	0.1	P-3	0.5	0.1	P-3	0.5	0.1
	400 - 1000	±0.3	±0.8	P-3	0.5	0.1	P-3	0.5	0.1	P-3	0.5	0.1

FOOT MASTER®		FOOMA®		G-DOK IND.	
SERIES NAME	SPH-SERIES	DATE	2026.05.18	GSN NO.	4#231-211111 4#232-211111
PRODUCT NAME	SPH-130-BSF-TUD & HRD-PEU	SCALE	1/2	DWG. NO.	4#231-211111 4#232-211111
PART NAME	ASSEMBLY	WEIGHT	--	REVISION	SIZE A3
		GENERAL TOLERANCE	B	ANGLE	⚠

FOOT MASTER G-DOK IND.

REV. NO.	DATE	DESCRIPTION	APP'D	REMARKS
1	-	-	-	-

A
B
C
D
E
F
G



NOTE
1) MATERIAL : STAINLESS

PROCESS		MATERIAL		APPROVED BY		CHECKED BY		DRAWN BY	
--		--		O.C.K		J.Y.H		K.S.J	

SERIES NAME		DATE		GSN NO.	
SPH-SERIES		2026.05.18		4#211-2111111	
PRODUCT NAME		SCALE		DWG. NO.	
SPH-130-ASF-TUD & HRD-PEU		1/2		4#211-2111111	
PART NAME		WEIGHT		REVISION	
ASSEMBLY		--		SIZE A3	
GENERAL TOLERANCE		ANGLE		REVISION	
B		B		ANGLE	

FOOT MASTER G-DOK IND. FOOT MASTER G-DOK IND. FOOT MASTER G-DOK IND.