

FOOT MASTER[®]

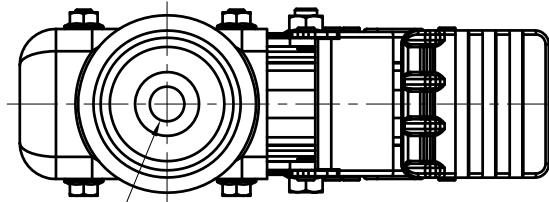
FOOMA[®]

G-DOK IND.

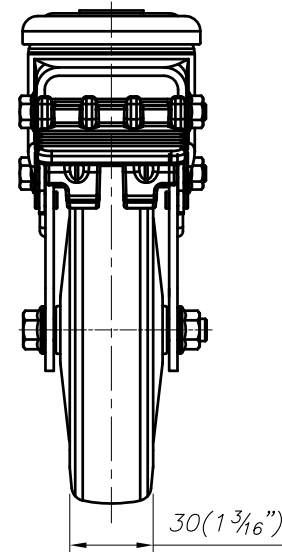
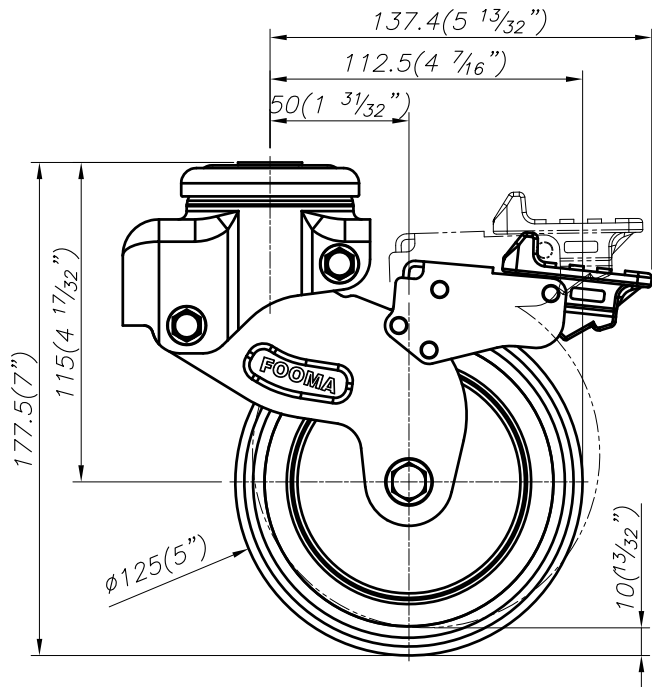
MODEL NAME

G-125-ASS-HRS

FOOT MASTER G-DOK IND. FOOT MASTER G-DOK IND.



$\phi 12.5$ ($1\frac{5}{32}$ ") HOLES
FOR M12 BOLT



FOOT MASTER[®]

FOOMA[®]

 G-DOK IND.

MODEL NAME

G-125-BSS-HRS

FOOT MASTER G-DOK IND. FOOT MASTER G-DOK IND.