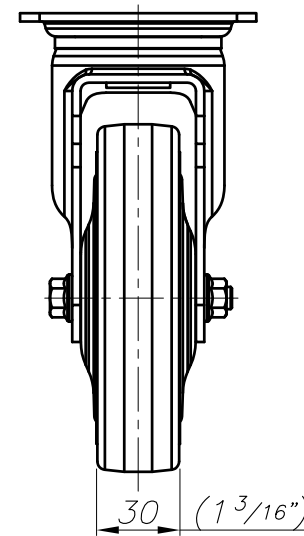
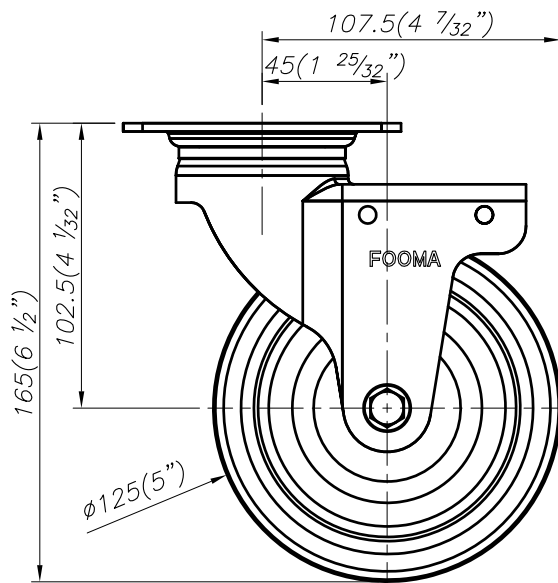


4- $\varnothing 9(1\frac{1}{32})$  SLOT HOLES  
FOR M8 BOLT



FOOT MASTER®

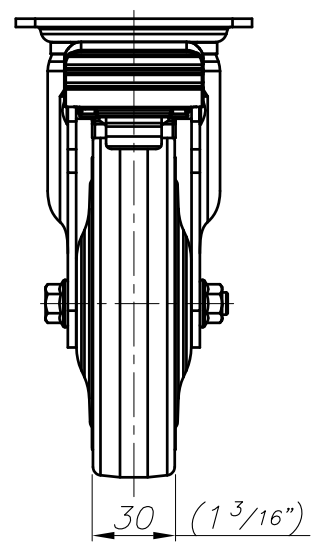
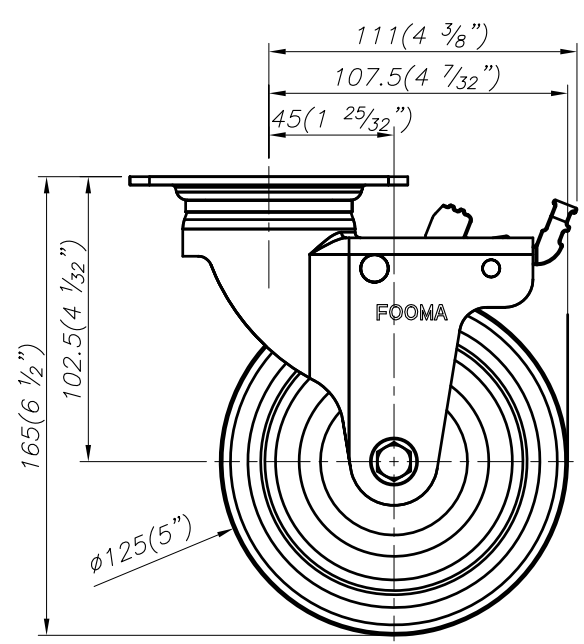
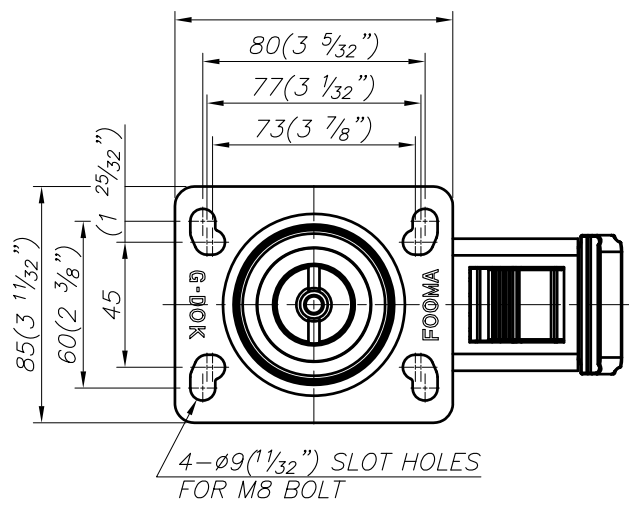
FOOMA®

G-DOK IND.

MODEL NAME

P-125-ASF

FOOT MASTER G-DOK IND. FOOT MASTER G-DOK IND.



FOOT MASTER®

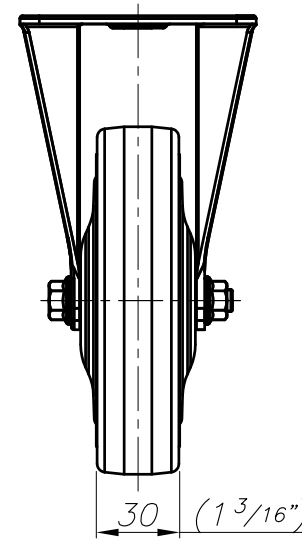
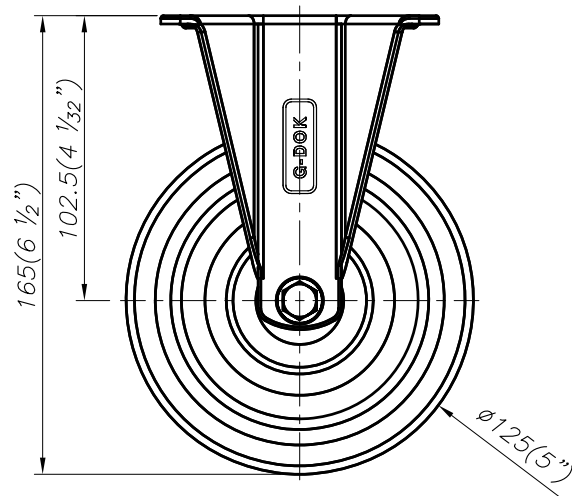
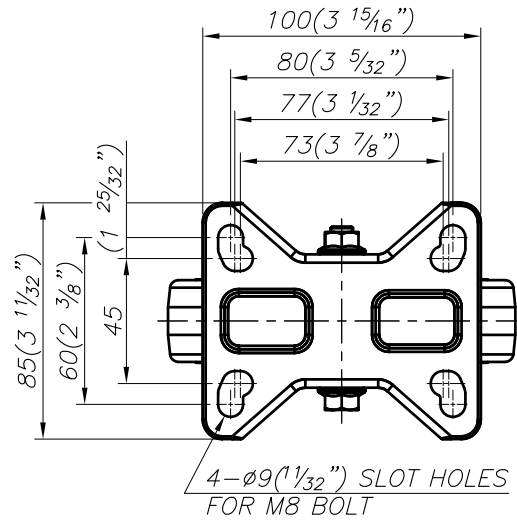
FOOMA®

G-DOK IND.

MODEL NAME

P-125-BSF

FOOT MASTER G-DOK IND. FOOT MASTER G-DOK IND.



FOOT MASTER®

FOOMA®

G-DOK IND.

MODEL NAME

P-125-ARF

FOOT MASTER G-DOK IND. ▲ FOOT MASTER G-DOK IND. ▼