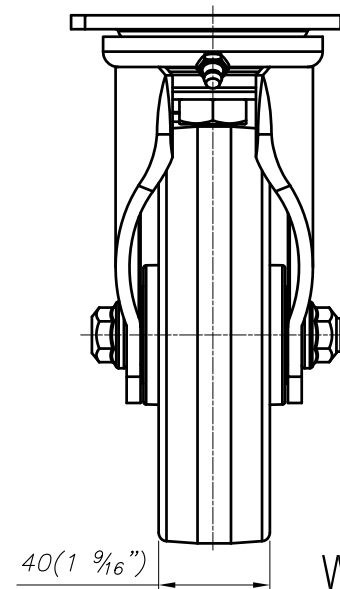
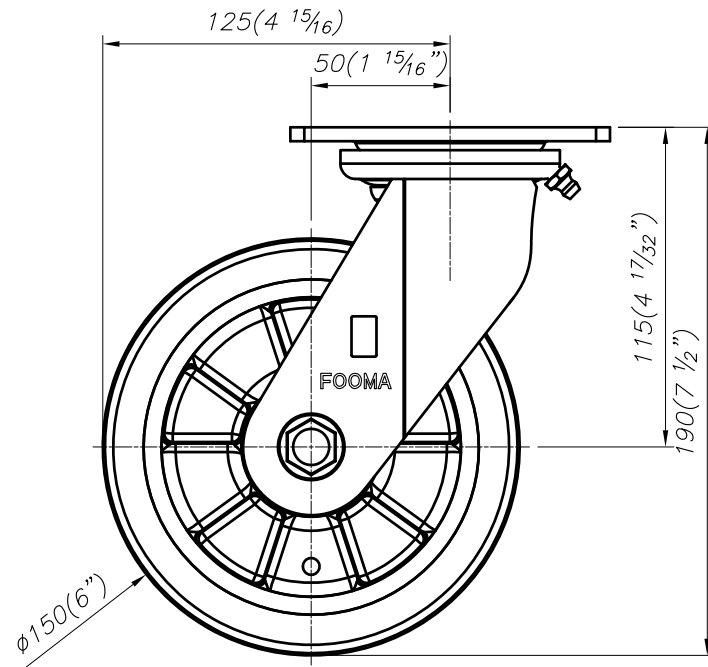


4- $\phi 11(7/16)$ SLOT HOLES
FOR M10 BOLT



WHEEL : MUD, HUD, SUD

FOOT MASTER®

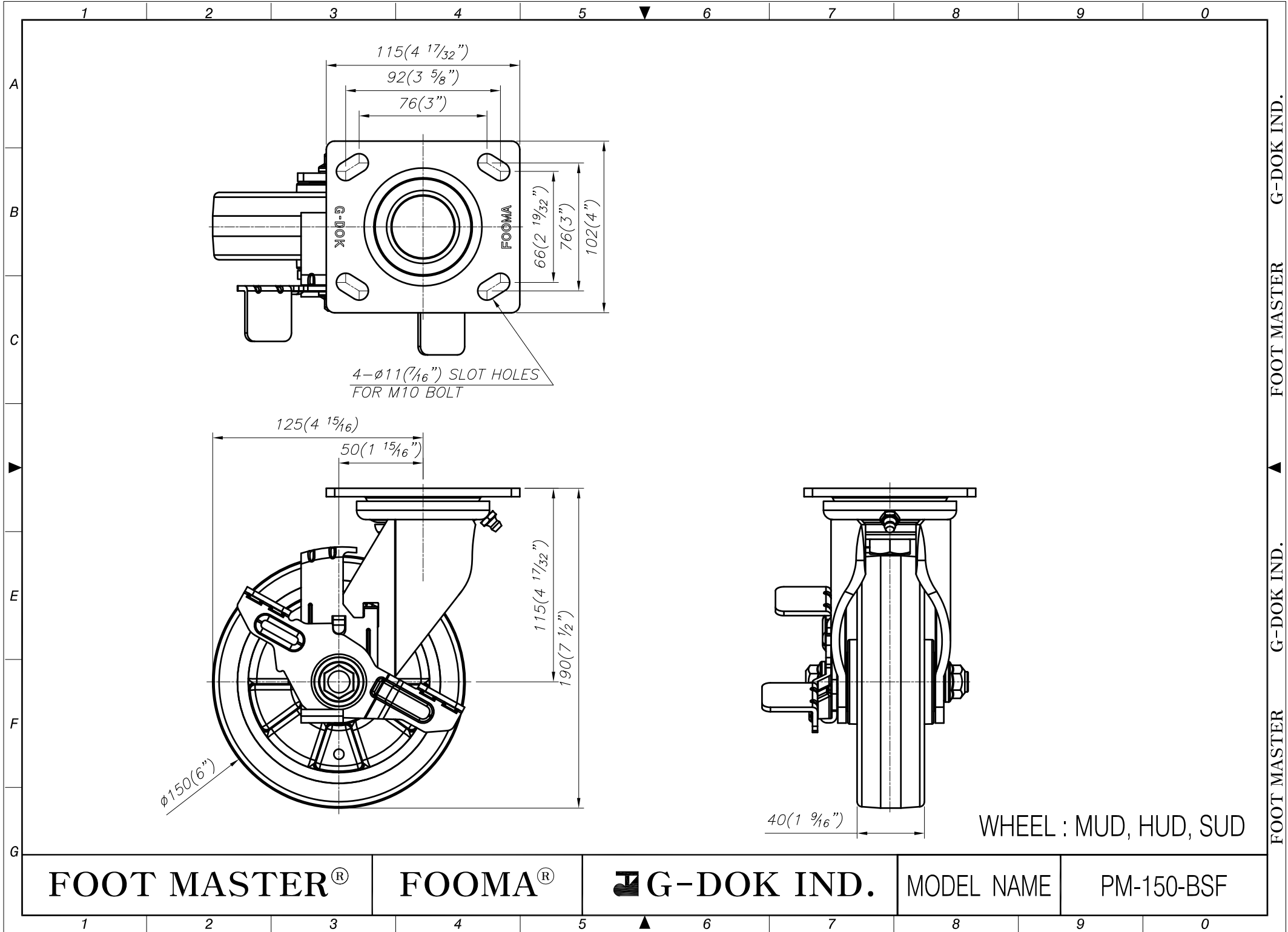
FOOMA®

G-DOK IND.

MODEL NAME

PM-150-ASF

FOOT MASTER G-DOK IND. FOOT MASTER G-DOK IND.



4- $\phi 11(7/16)$ SLOT HOLES
FOR M10 BOLT

WHEEL : MUD, HUD, SUD

FOOT MASTER®

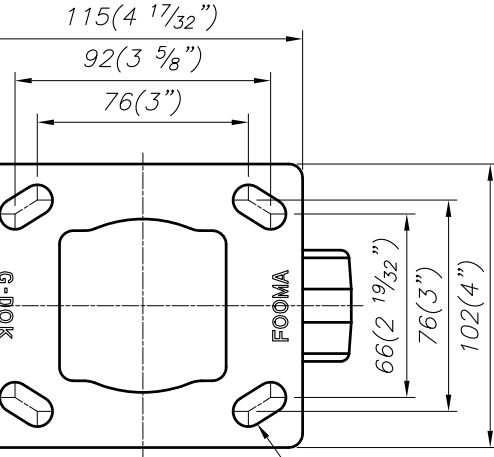
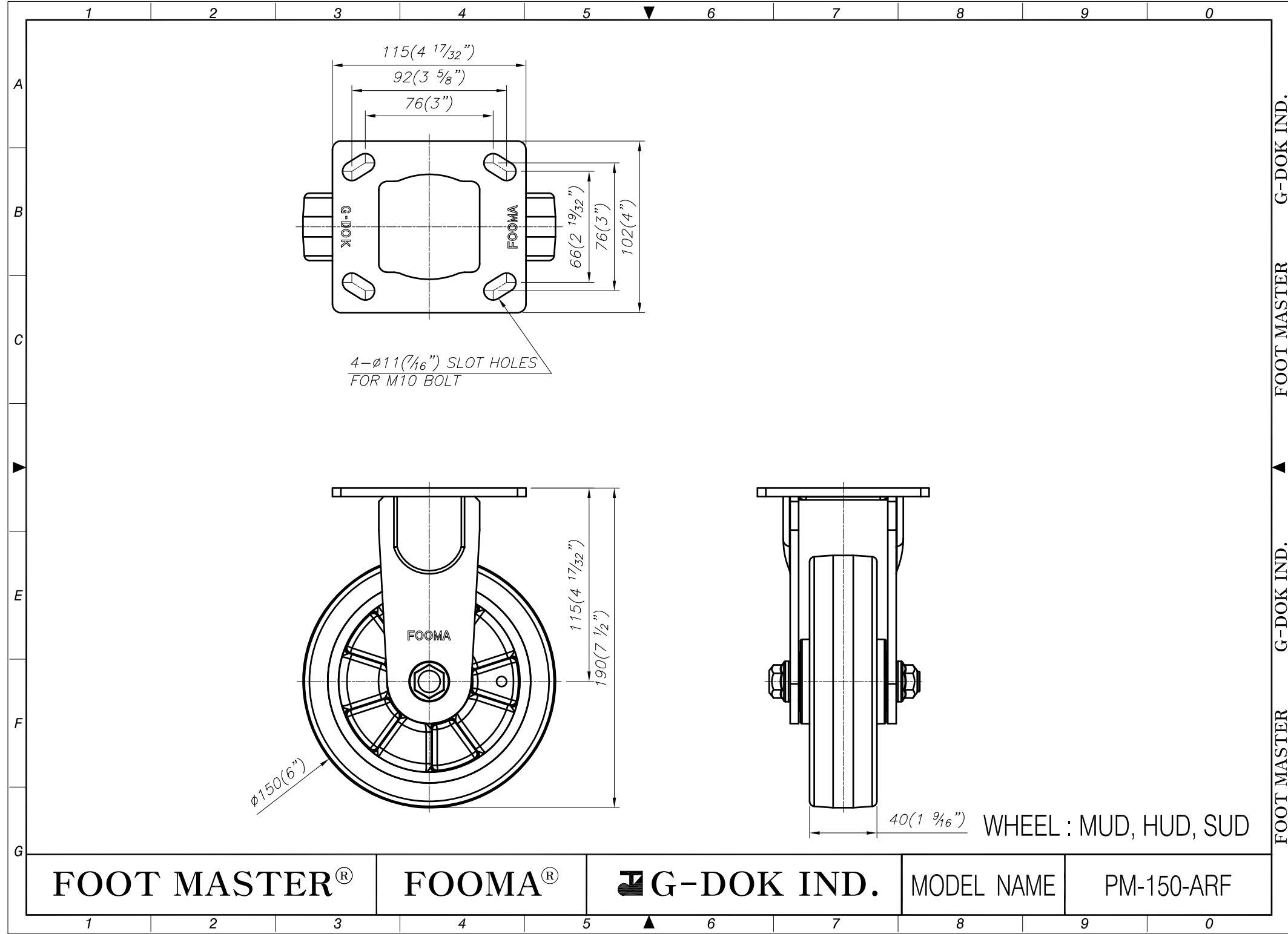
FOOMA®

G-DOK IND.

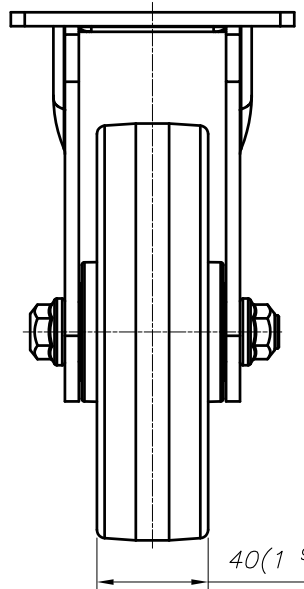
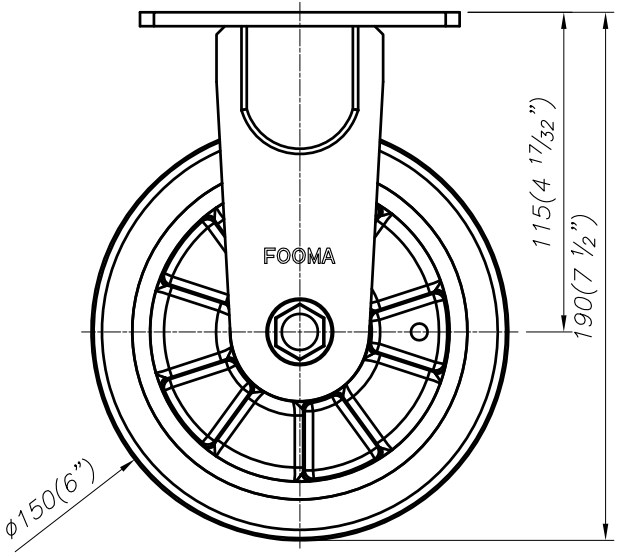
MODEL NAME

PM-150-BSF

FOOT MASTER G-DOK IND. FOOT MASTER G-DOK IND. FOOT MASTER G-DOK IND.



4-ø11(7/16") SLOT HOLES
 FOR M10 BOLT



FOOT MASTER®

FOOMA®

G-DOK IND.

MODEL NAME

PM-150-ARF

FOOT MASTER G-DOK IND. FOOT MASTER G-DOK IND. FOOT MASTER G-DOK IND.