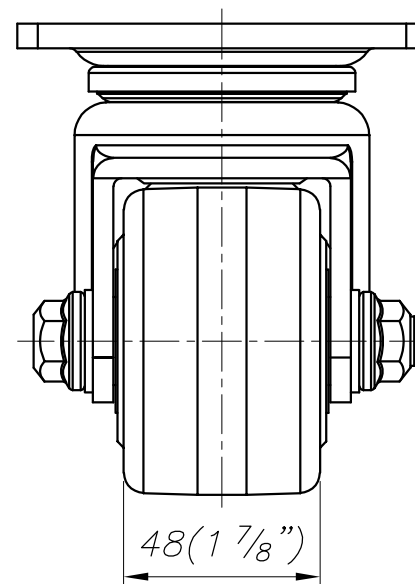
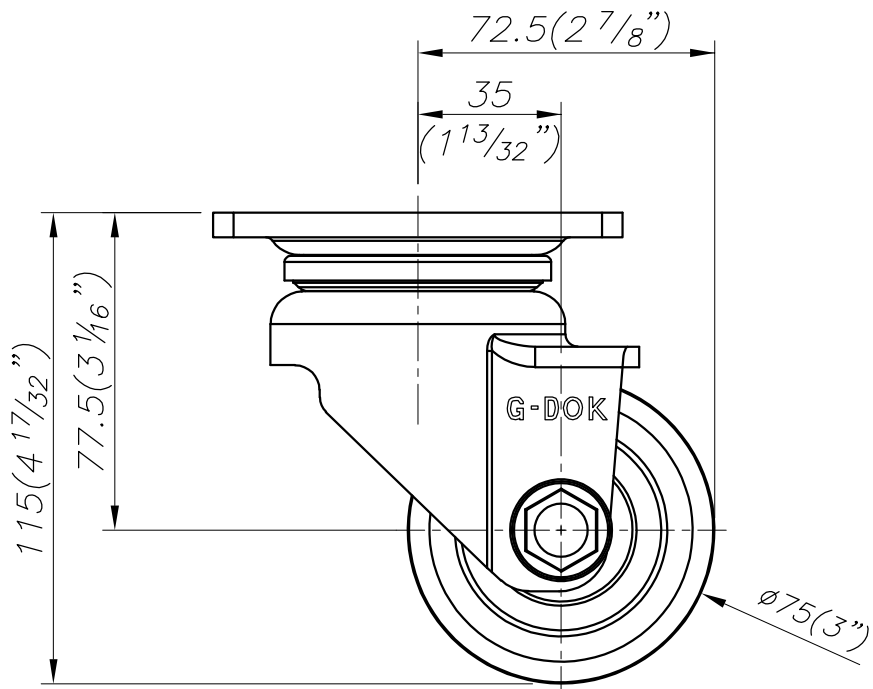


4- $\phi 10.5 (13/32)$ SLOT HOLES
FOR M10 BOLT



FOOT MASTER®

FOOMA®

 G-DOK IND.

MODEL NAME

GAPH-75-ASF-HUD