

FOOT MASTER®

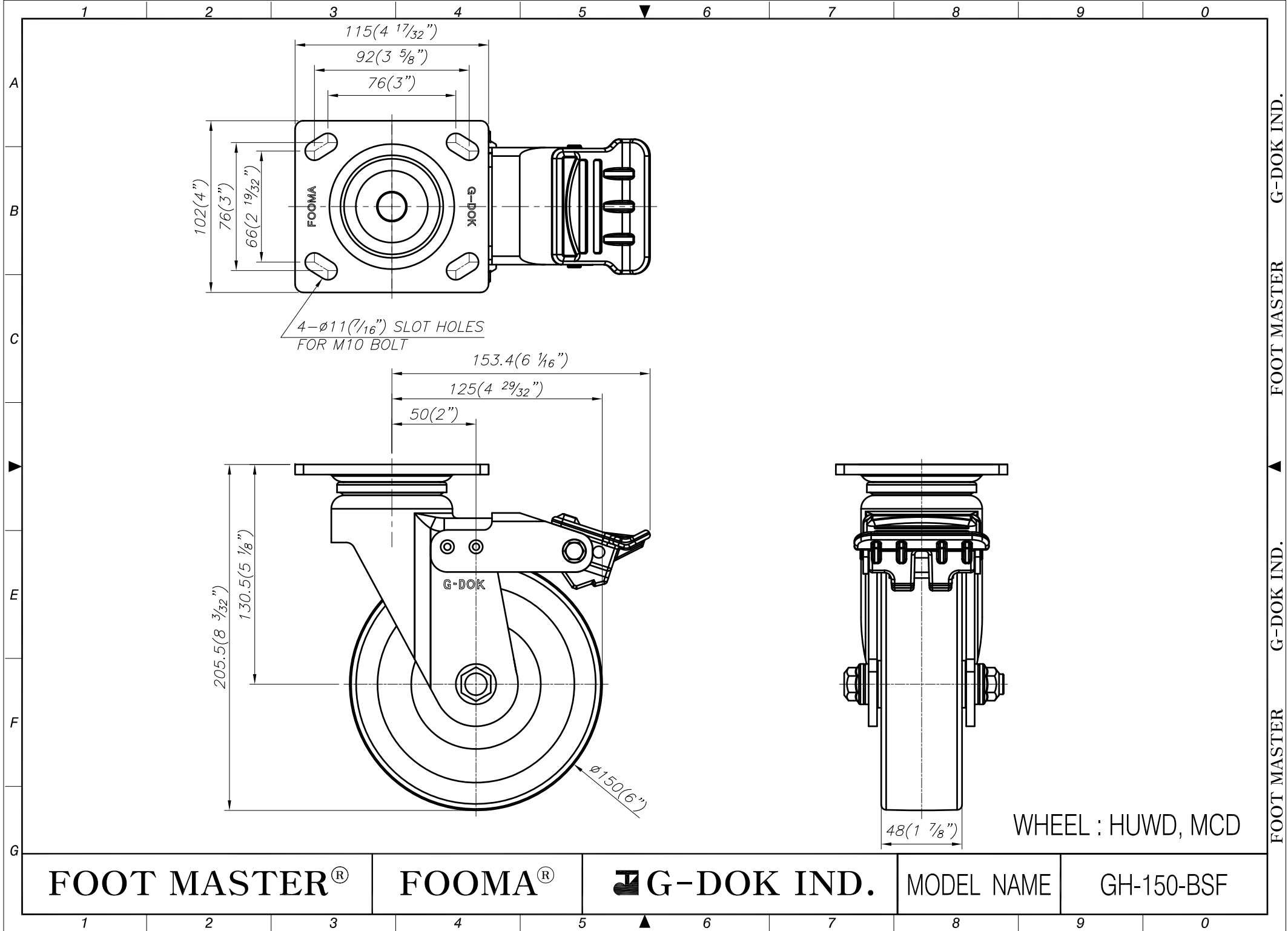
FOOMA®

G-DOK IND.

MODEL NAME

GH-150-ASF

FOOT MASTER G-DOK IND. FOOT MASTER G-DOK IND. FOOT MASTER G-DOK IND.



FOOT MASTER®

FOOMA®

G-DOK IND.

MODEL NAME

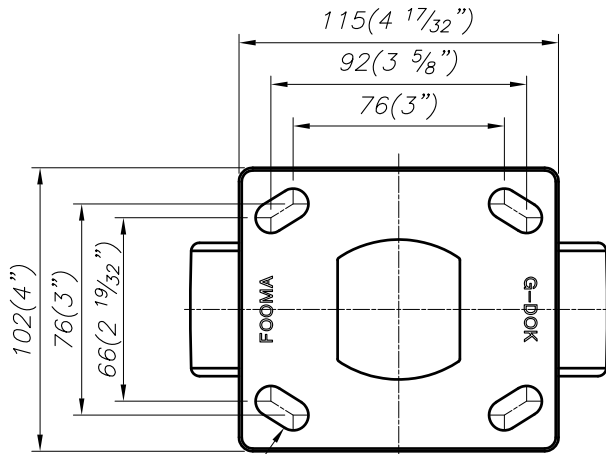
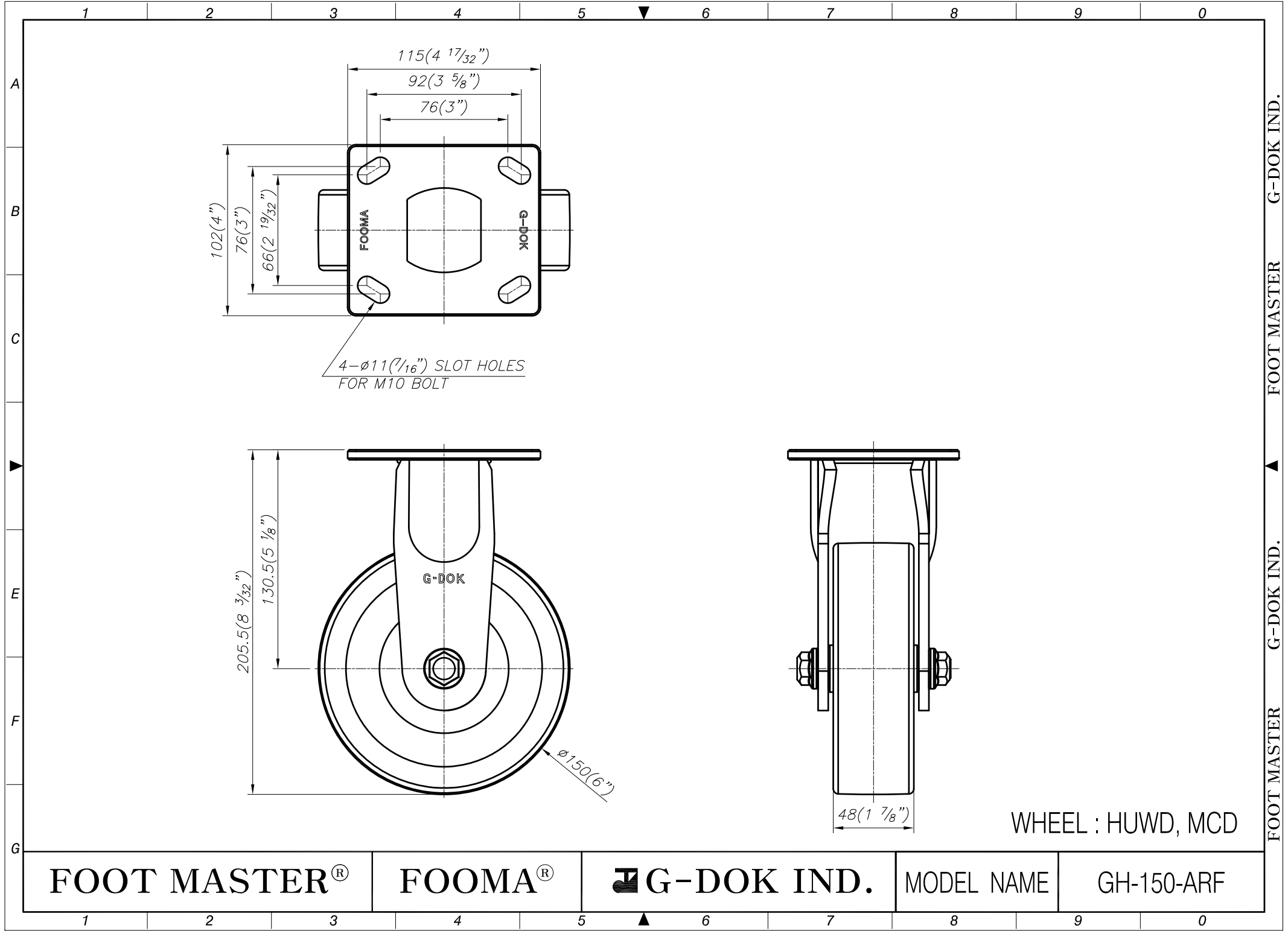
GH-150-BSF

G-DOK IND.

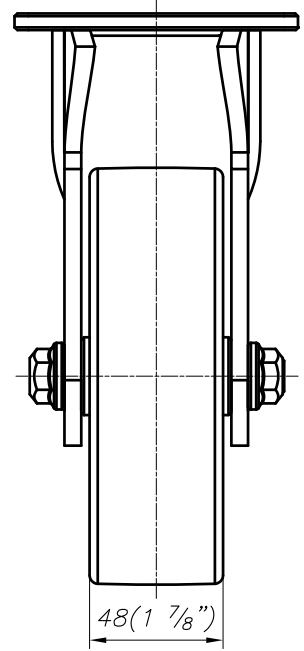
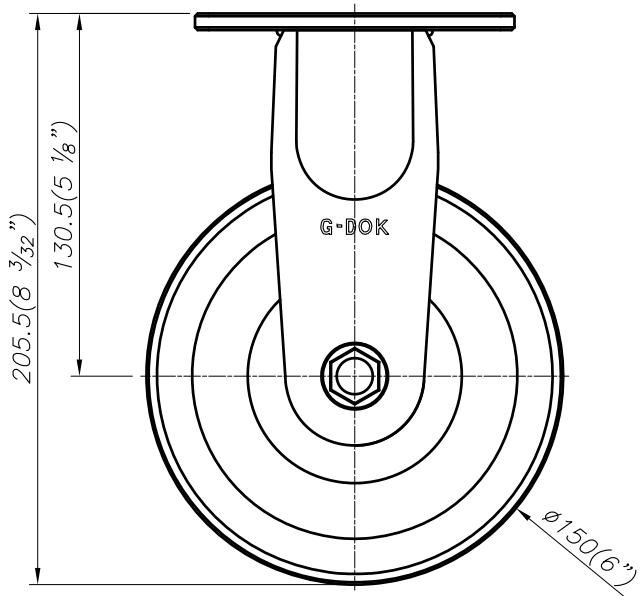
FOOT MASTER

G-DOK IND.

FOOT MASTER



4- $\phi$ 11( $7/16$ ") SLOT HOLES  
 FOR M10 BOLT



WHEEL : HUWD, MCD

FOOT MASTER®

FOOMA®

 G-DOK IND.

MODEL NAME

GH-150-ARF

FOOT MASTER G-DOK IND. ▲ FOOT MASTER G-DOK IND. ▼