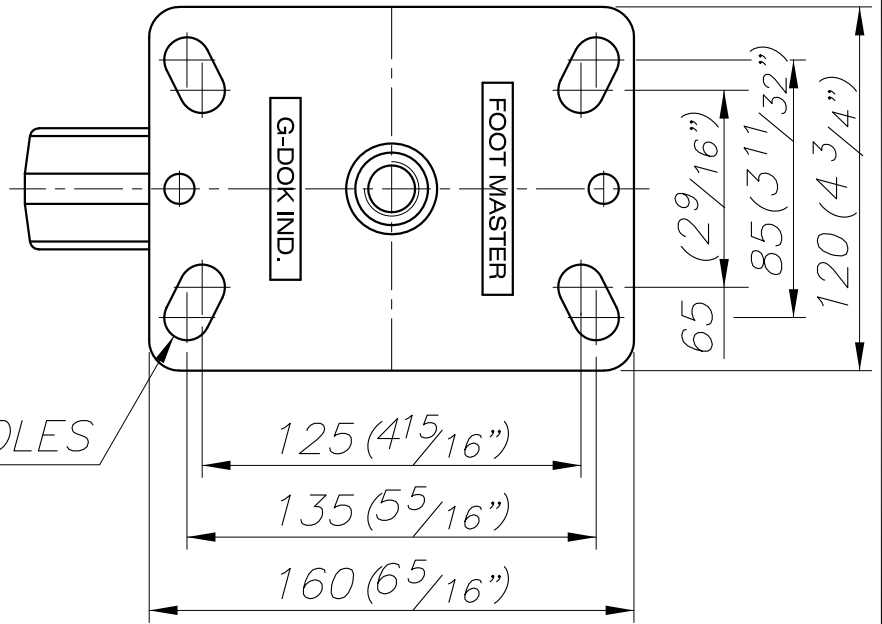
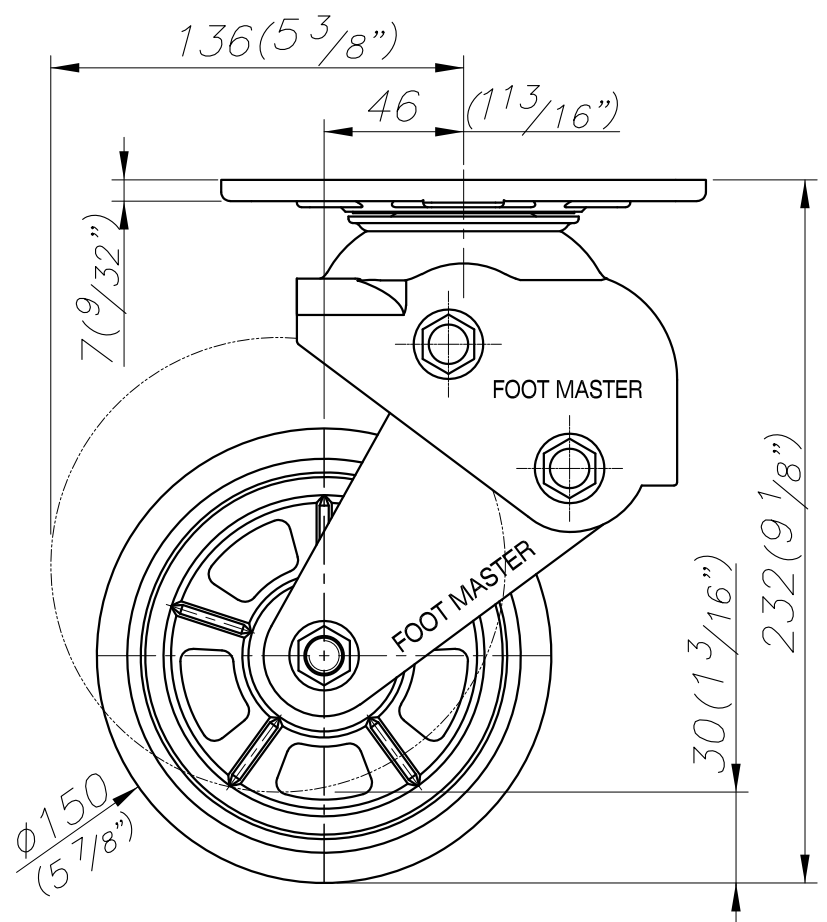
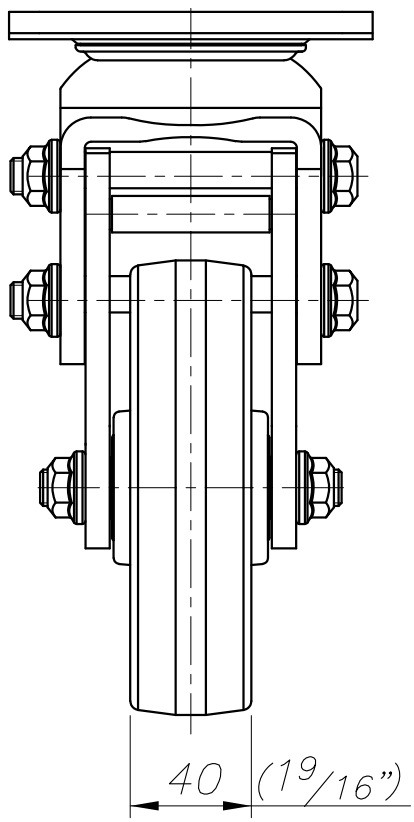


1
2
3
4
5
6
7
8
9
0

1
2
3
4
5
6
7
8
9
0



4- $\phi 15$ ($19/32$ ") S/HOLES



FOOT MASTER

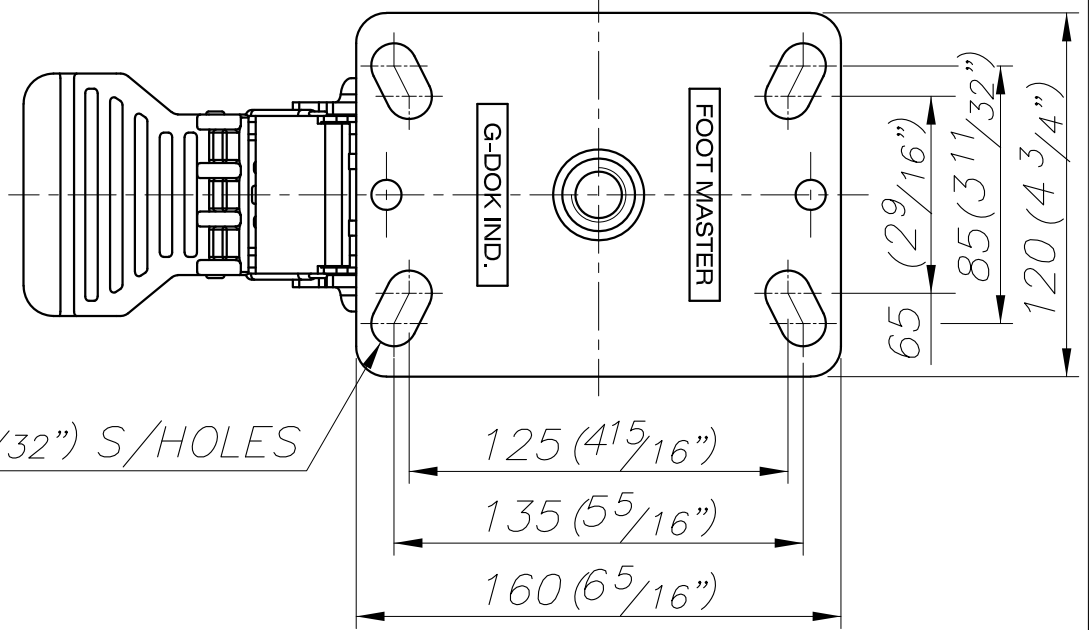
G-DOK IND.

FOOT MASTER

G-DOK IND.

1
2
3
4
5
6
7
8
9
0

1
2
3
4
5
6
7
8
9
0



4- $\phi 15$ ($19/32$ ") S/HOLES

190 ($7 \frac{1}{2}$ ")

46 ($1 \frac{3}{16}$ ")

7 ($9/32$ ")

FOOT MASTER

FOOT MASTER

30 ($1 \frac{3}{16}$ ")

232 ($9 \frac{1}{8}$ ")

$\phi 150$ ($5 \frac{7}{8}$ ")

40 ($1 \frac{9}{16}$ ")

FOOT MASTER [®]

FOOMA [®]

G-DOK IND.

MODEL NAME

GSST-150-BSF,BRF

A

B

C

E

F

G