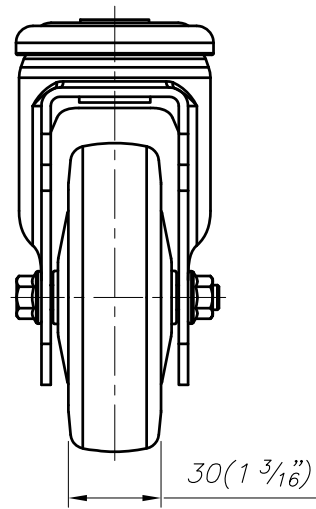
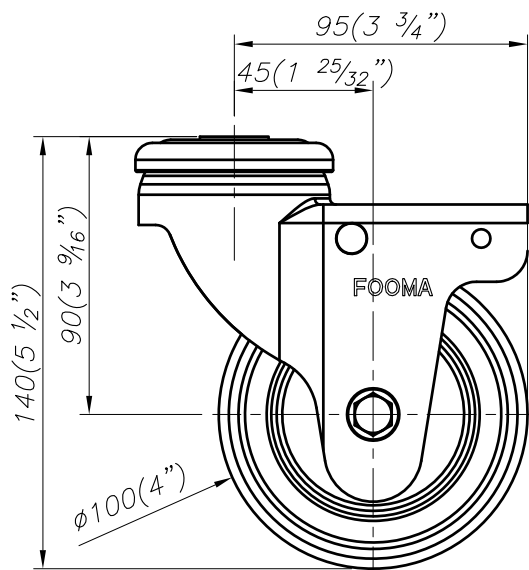


$\phi 12.5$ ($1\frac{5}{32}$ ") HOLES
FOR M12 BOLT



FOOT MASTER [®]

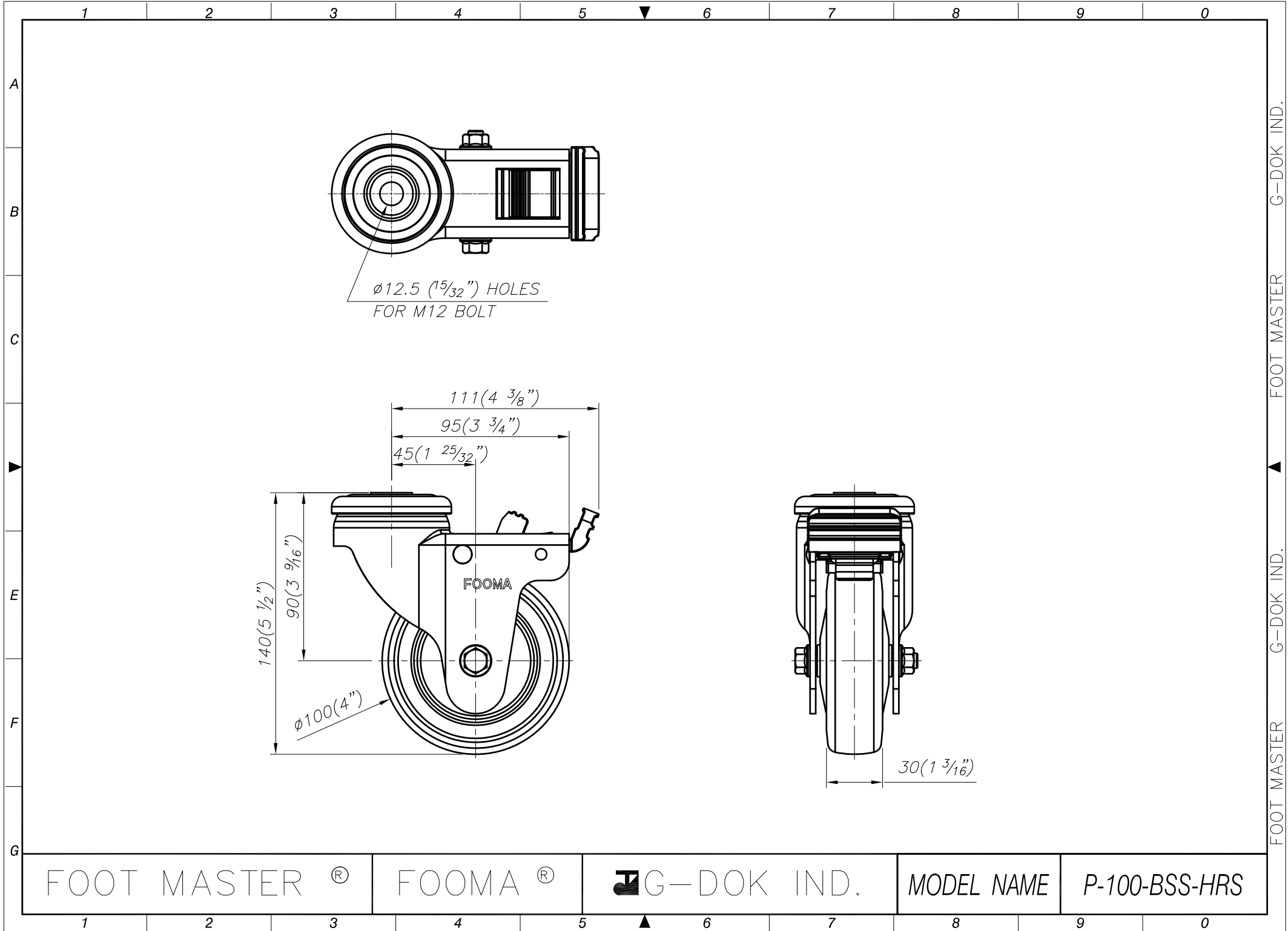
FOOMA [®]

 G-DOK IND.

MODEL NAME

P-100-ASS-HRS

FOOT MASTER G-DOK IND. FOOT MASTER G-DOK IND.



FOOT MASTER[®]

FOOMA[®]

G-DOK IND.

MODEL NAME

P-100-BSS-HRS

FOOT MASTER G-DOK IND. FOOT MASTER G-DOK IND.