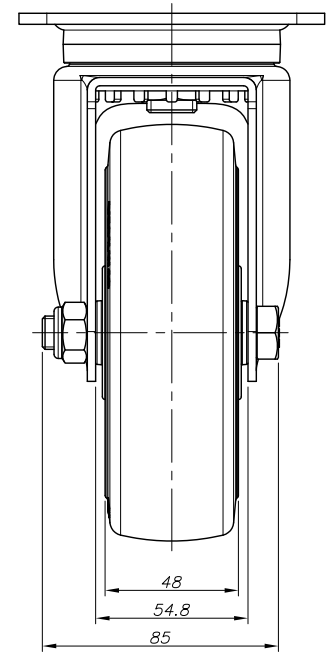
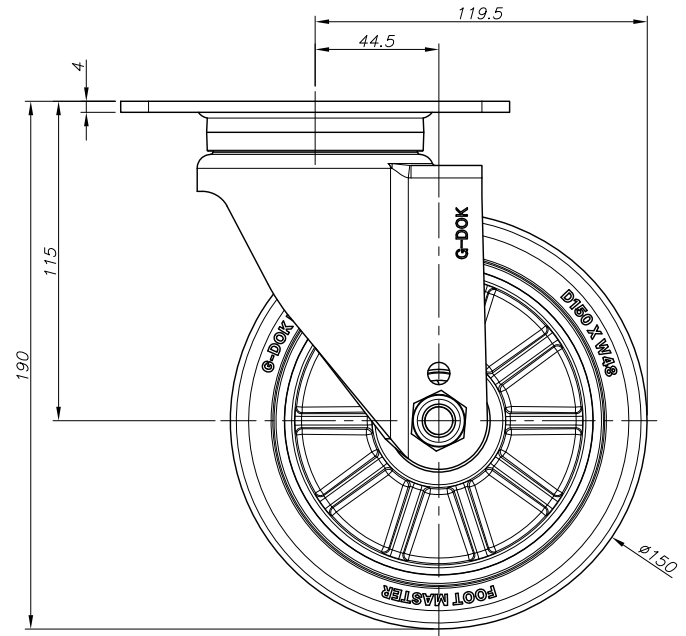
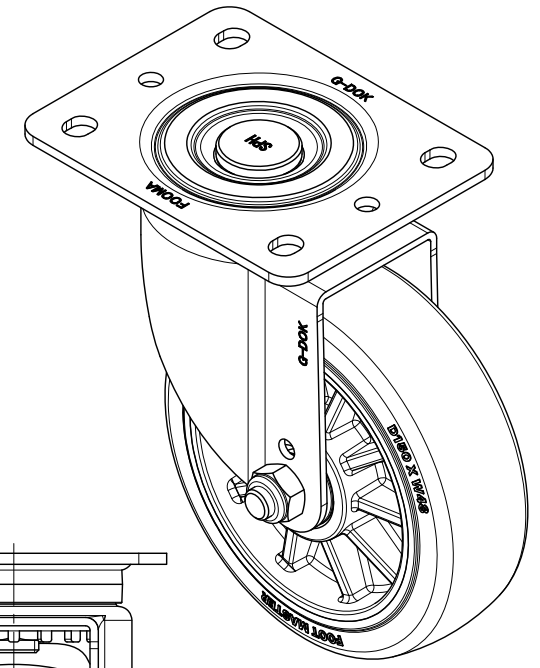
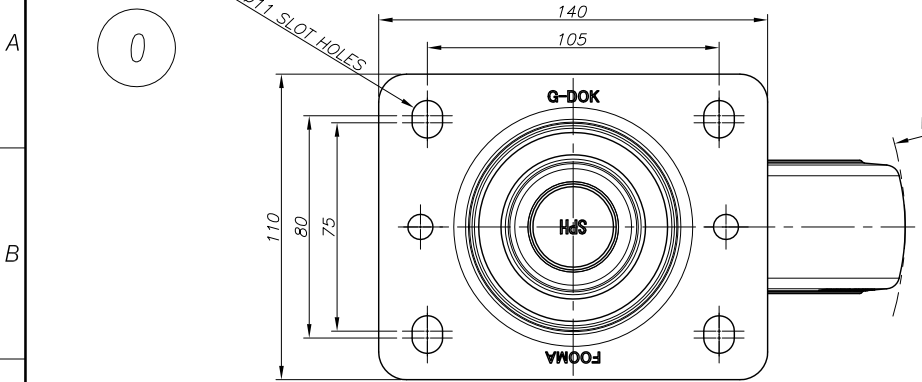


REV. NO.	DATE	DESCRIPTION	APP'D	REMARKS
-	-	-	-	-



NOTE
 1) MATERIAL : STAINLESS

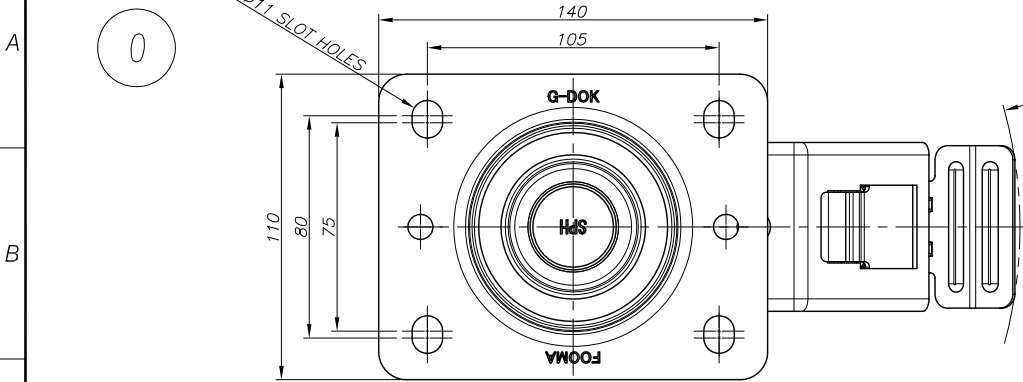
PROCESS		GENERAL TOLERANCE		CHAMFER	0.5	ROUND	0.5	UNIT	mm
---		---		0.5	0.5	0.5	0.5	mm	---
MATERIAL		PRODUCT GENERAL TOLERANCE		DIE CASTING		INJECTION MOLDING		PRESS WORKING	
---		ANG2	PRECISION	ANG2	PRECISION	ANG2	PRECISION	ANG2	PRECISION
APPROVED BY		CHECKED BY	DRAWN BY	0.5 - 6	6 - 30	30 - 120	120 - 400	400 - 1000	---
O.C.K	J.Y.H	K.S.J		±0.15	±0.1	±0.15	±0.2	±0.3	---
		CENTER HEIGHT	WHEEL OUTER DIAMETER	DIE CASTING		INJECTION MOLDING		PRESS WORKING	
		WHEEL HUB WIDTH		ANG2	PRECISION	ANG2	PRECISION	ANG2	PRECISION
		WHEEL HUB MOUNTING		0.5 - 6	6 - 30	30 - 120	120 - 400	400 - 1000	---
		WHEEL HUB MOUNTING		±0.15	±0.1	±0.15	±0.2	±0.3	---
		WHEEL HUB MOUNTING		0.5 - 6	6 - 30	30 - 120	120 - 400	400 - 1000	---
		WHEEL HUB MOUNTING		±0.15	±0.1	±0.15	±0.2	±0.3	---

NO.	DESCRIPTION	UNIT	Q'TY	MATERIAL	WEIGHT	SPECIFICATION	REMARKS
---	---	---	---	---	---	---	---

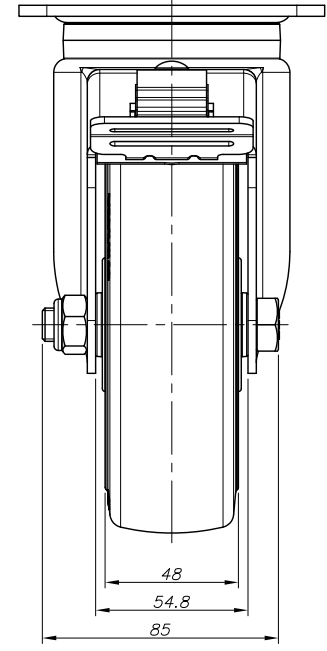
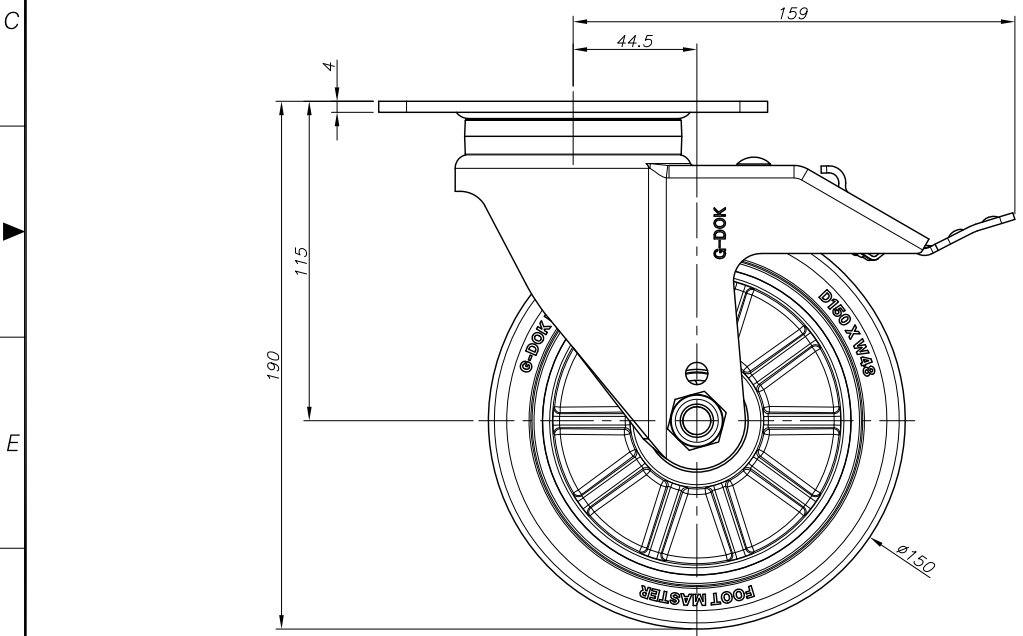
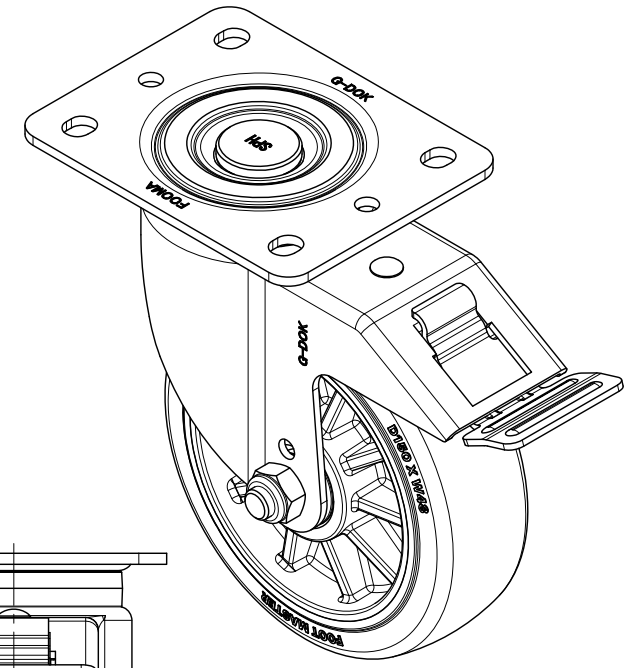
FOOT MASTER®		FOOMA®		G-DOK IND.	
SERIES NAME	SPH-SERIES	DATE	2026.05.18	GSN NO.	4#311-2111111
PRODUCT NAME	SPH-150-ASF-TUD & HRD-PEU	SCALE	1/2	DWG. NO.	4#311-2111111
PART NAME	ASSEMBLY	WEIGHT	---	REVISION	---
		GENERAL TOLERANCE	B	ANGLE	30°

FOOT MASTER G-DOK IND.

REV. NO.	DATE	DESCRIPTION	APP'D	REMARKS
-	-	-	-	-



R160.8 (SWIVEL RADIUS)



NOTE
 1) MATERIAL : STAINLESS

NO.	DESCRIPTION	UNIT	Q'TY	MATERIAL	WEIGHT	SPECIFICATION	REMARKS
--	--	--	--	--	--	--	--

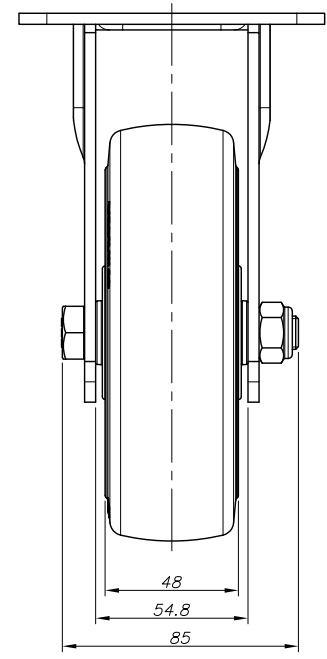
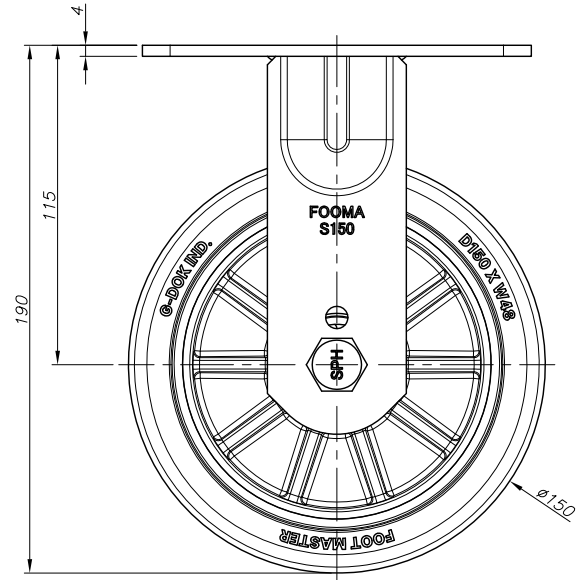
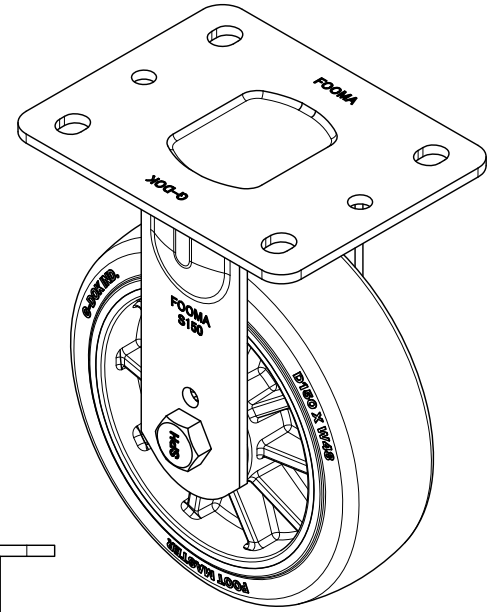
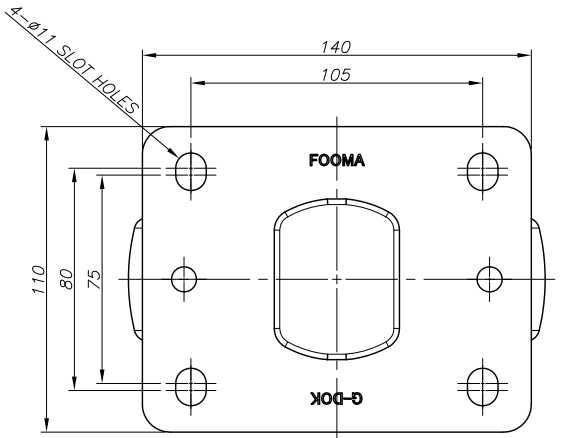
PROCESS	MATERIAL	APPROVED BY	CHECKED BY	DRAWN BY	PRODUCT GENERAL TOLERANCE	GENERAL TOLERANCE	CHAMFER	0.5	ROUND	0.5	UNIT	mm																																							
--	--	O.C.K	J.Y.H	K.S.J	<table border="1"> <thead> <tr> <th>CHAMFER</th> <th>WHEEL OUTER DIAMETER</th> <th>WHEEL HUB WIDTH</th> </tr> </thead> <tbody> <tr> <td>0.5 - 6</td> <td>±0.05</td> <td>±0.1</td> </tr> <tr> <td>6 - 30</td> <td>±0.1</td> <td>±0.2</td> </tr> <tr> <td>30 - 120</td> <td>±0.15</td> <td>±0.3</td> </tr> <tr> <td>120 - 400</td> <td>±0.2</td> <td>±0.5</td> </tr> <tr> <td>400 - 1000</td> <td>±0.3</td> <td>±0.8</td> </tr> </tbody> </table>	CHAMFER	WHEEL OUTER DIAMETER	WHEEL HUB WIDTH	0.5 - 6	±0.05	±0.1	6 - 30	±0.1	±0.2	30 - 120	±0.15	±0.3	120 - 400	±0.2	±0.5	400 - 1000	±0.3	±0.8	<table border="1"> <thead> <tr> <th>MACHINING WORKING</th> <th>DIE CASTINGS</th> <th>INJECTION MOLDING</th> <th>PRESS WORKING</th> </tr> </thead> <tbody> <tr> <td>±0.1</td> <td>±0.1</td> <td>±0.1</td> <td>±0.1</td> </tr> <tr> <td>±0.2</td> <td>±0.2</td> <td>±0.2</td> <td>±0.2</td> </tr> <tr> <td>±0.3</td> <td>±0.3</td> <td>±0.3</td> <td>±0.3</td> </tr> <tr> <td>±0.4</td> <td>±0.4</td> <td>±0.4</td> <td>±0.4</td> </tr> <tr> <td>±0.5</td> <td>±0.5</td> <td>±0.5</td> <td>±0.5</td> </tr> </tbody> </table>	MACHINING WORKING	DIE CASTINGS	INJECTION MOLDING	PRESS WORKING	±0.1	±0.1	±0.1	±0.1	±0.2	±0.2	±0.2	±0.2	±0.3	±0.3	±0.3	±0.3	±0.4	±0.4	±0.4	±0.4	±0.5	±0.5	±0.5	±0.5	0.5	0.5	mm
CHAMFER	WHEEL OUTER DIAMETER	WHEEL HUB WIDTH																																																	
0.5 - 6	±0.05	±0.1																																																	
6 - 30	±0.1	±0.2																																																	
30 - 120	±0.15	±0.3																																																	
120 - 400	±0.2	±0.5																																																	
400 - 1000	±0.3	±0.8																																																	
MACHINING WORKING	DIE CASTINGS	INJECTION MOLDING	PRESS WORKING																																																
±0.1	±0.1	±0.1	±0.1																																																
±0.2	±0.2	±0.2	±0.2																																																
±0.3	±0.3	±0.3	±0.3																																																
±0.4	±0.4	±0.4	±0.4																																																
±0.5	±0.5	±0.5	±0.5																																																

FOOT MASTER®		FOOMA®		G-DOK IND.	
SERIES NAME	SPH-SERIES	DATE	2026.05.18	GSN NO.	4#331-2111111
PRODUCT NAME	SPH-150-BSF-TUD & HRD-PEU	SCALE	1/2	DWG. NO.	4#331-2111111
PART NAME	ASSEMBLY	WEIGHT	--	REVISION	SIZE A3
GENERAL TOLERANCE		B	ANGLE		⊕

FOOT MASTER G-DOK IND.

REV. NO.	DATE	DESCRIPTION	APP'D	REMARKS
1	-	-	-	-

0



NOTE
 1) MATERIAL : STAINLESS

PROCESS		MATERIAL		APPROVED BY		CHECKED BY		DRAWN BY	
---		---		O.C.K		J.Y.H		K.S.J	

NO.	DESCRIPTION	UNIT	Q'TY	MATERIAL	WEIGHT	SPECIFICATION	REMARKS
---	---	---	---	---	---	---	---

FOOT MASTER®		FOOMA®		G-DOK IND.	
SERIES NAME	SPH-SERIES	DATE	2026.05.18	GSN NO.	4H321-2111111
PRODUCT NAME	SPH-150-ARF-TUD & HRD-PEU	SCALE	1/2	DWG. NO.	4H321-2111111
PART NAME	ASSEMBLY	WEIGHT	---	REVISION	---
GENERAL TOLERANCE		B		ANGLE	⊕

FOOT MASTER G-DOK IND.