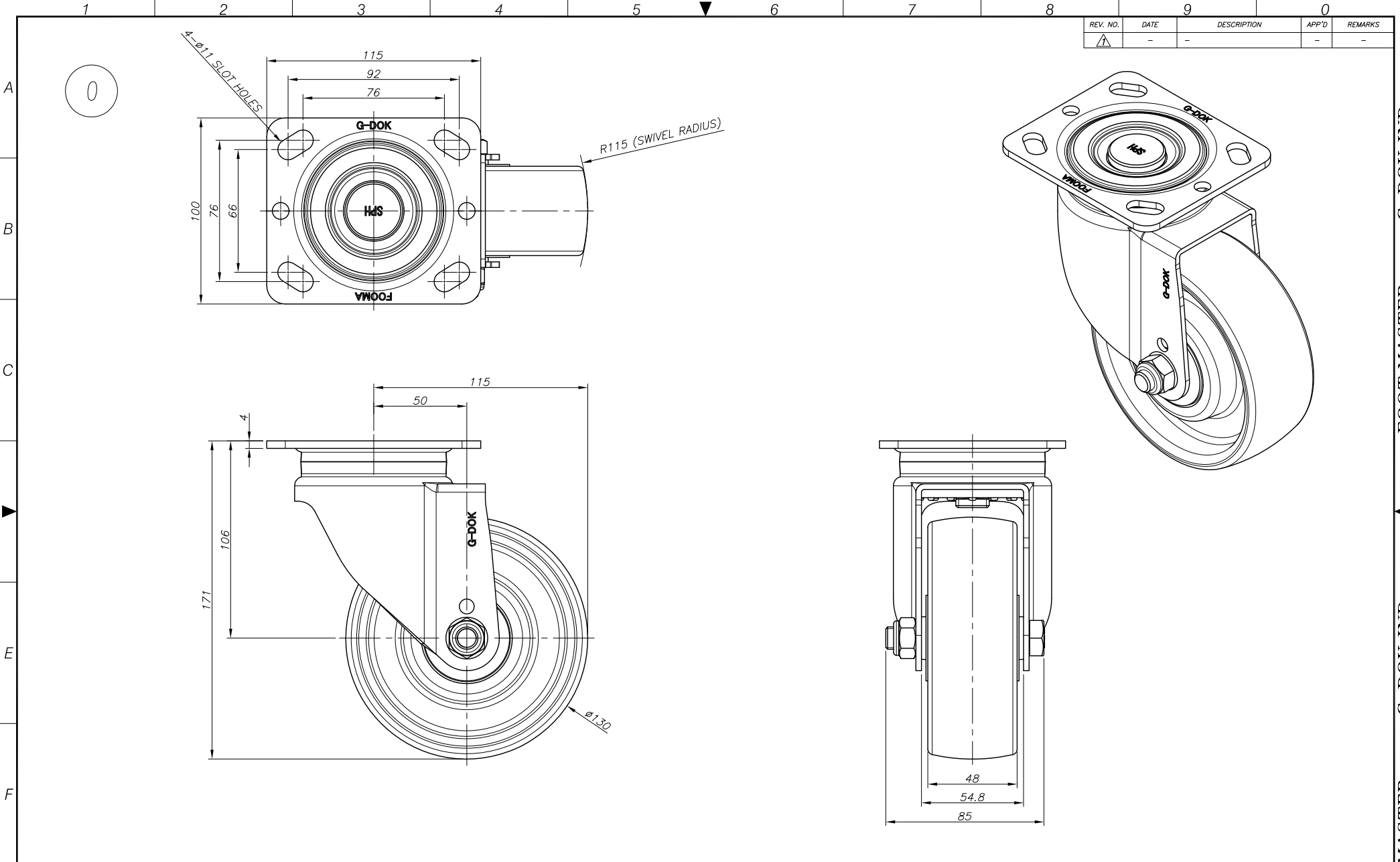


REV. NO.	DATE	DESCRIPTION	APP'D	REMARKS
△	-	-	-	-



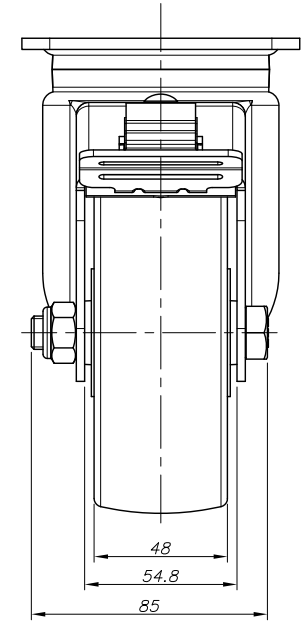
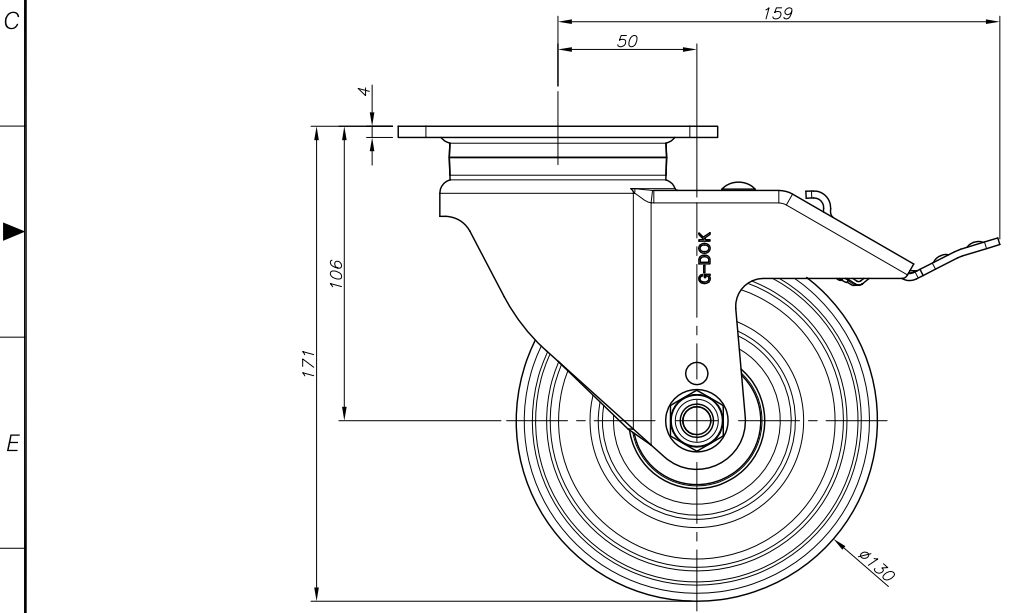
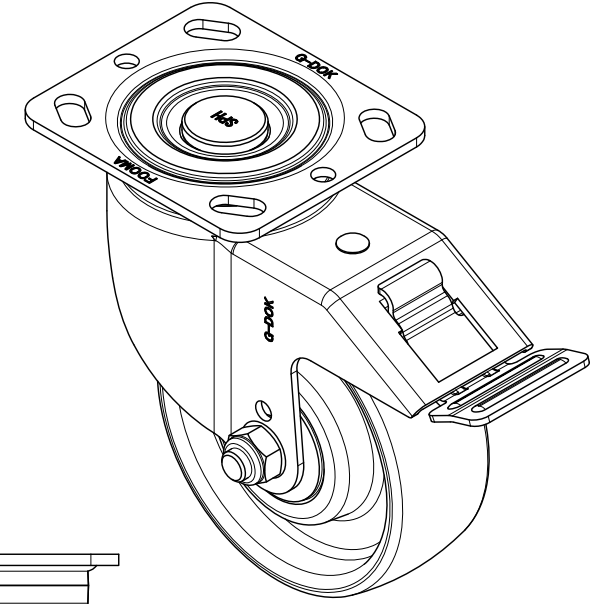
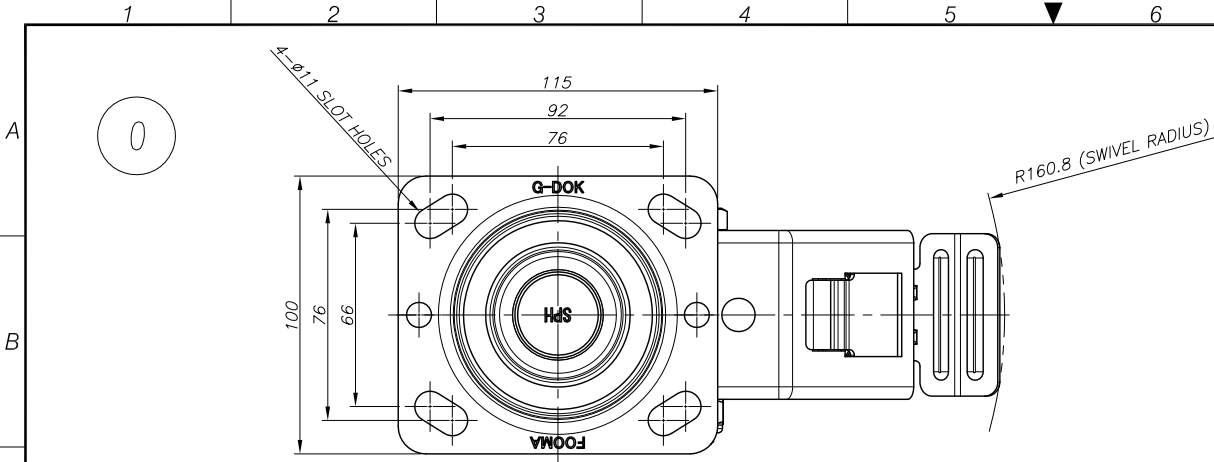
NOTE
 ≧1) MATERIAL : STAINLESS

PROCESS	GENERAL TOLERANCE											
MATERIAL	MACHINING WORKING			DIE CASTINGS			INJECTION MOLDING			PRESS WORKING		
	ANG2	PRECISION	GRADE	ANG2	PRECISION	GRADE	ANG2	PRECISION	GRADE	ANG2	PRECISION	GRADE
	0.5 - 6	±0.05	±0.1	F-3	0.1	0.2	F-3	0.1	0.2	F-3	0.1	0.2
	6 - 30	±0.1	±0.2	F-3	0.1	0.2	F-3	0.1	0.2	F-3	0.1	0.2
	30 - 120	±0.15	±0.3	F-3	0.1	0.2	F-3	0.1	0.2	F-3	0.1	0.2
	120 - 400	±0.2	±0.5	F-3	0.1	0.2	F-3	0.1	0.2	F-3	0.1	0.2
	400 - 1000	±0.3	±0.8	F-3	0.1	0.2	F-3	0.1	0.2	F-3	0.1	0.2

FOOT MASTER®		FOOMA®		G-DOK IND.	
SERIES NAME	SPH-SERIES	DATE	2026.05.18	GSN NO.	4H213-111111
PRODUCT NAME	SPH-130-ASF-NYD	SCALE	1/2	DWG. NO.	4H213-111111
PART NAME	ASSEMBLY	WEIGHT	--	REVISION	SIZE A3
GENERAL TOLERANCE		B		ANGLE	

FOOT MASTER G-DOK IND.

REV. NO.	DATE	DESCRIPTION	APP'D	REMARKS
△	-	-	-	-



NOTE
 1) MATERIAL : STAINLESS

PROCESS	GENERAL TOLERANCE															
MATERIAL	MACHINING WORKING				DIE CASTINGS				INJECTION MOLDING				PRESS WORKING			
	ANG2	PRE20	ANG1	PRE10	ANG2	PRE20	ANG1	PRE10	ANG2	PRE20	ANG1	PRE10	ANG2	PRE20	ANG1	PRE10
	0.5 - 6	±0.05	±0.1	±0.2	0.5	0.5	0.5	0.5	0.5	0.5	0.5	0.5	0.5	0.5	0.5	0.5
	6 - 30	±0.1	±0.2	±0.3	0.5	0.5	0.5	0.5	0.5	0.5	0.5	0.5	0.5	0.5	0.5	0.5
	30 - 120	±0.15	±0.3	±0.4	0.5	0.5	0.5	0.5	0.5	0.5	0.5	0.5	0.5	0.5	0.5	0.5
	120 - 400	±0.2	±0.5	±0.6	0.5	0.5	0.5	0.5	0.5	0.5	0.5	0.5	0.5	0.5	0.5	0.5
	400 - 1000	±0.3	±0.8	±1.0	0.5	0.5	0.5	0.5	0.5	0.5	0.5	0.5	0.5	0.5	0.5	0.5

APPROVED BY	CHECKED BY	DRAWN BY
O.C.K	J.Y.H	K.S.J

PRODUCT GENERAL TOLERANCE			
CASTER HEIGHT	WHEEL OUTER DIAMETER	WHEEL HUB WIDTH	
6 - 30	±0.1	±0.2	
30 - 120	±0.15	±0.3	
120 - 400	±0.2	±0.5	
400 - 1000	±0.3	±0.8	

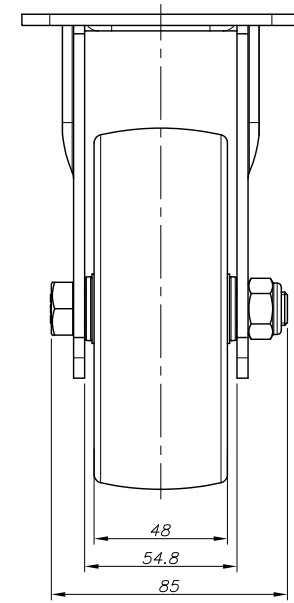
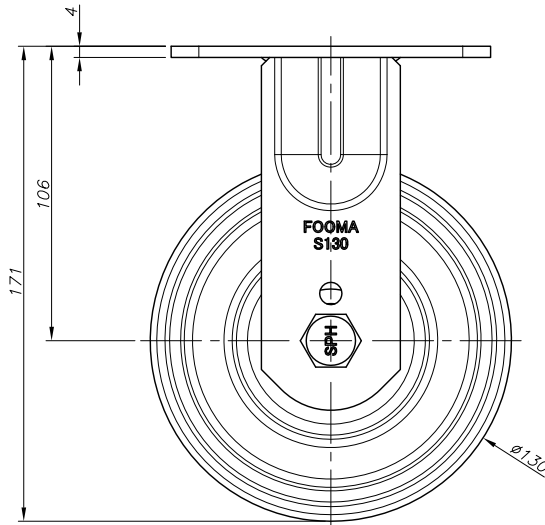
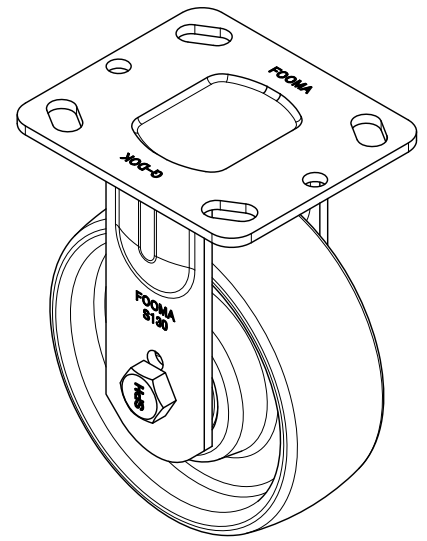
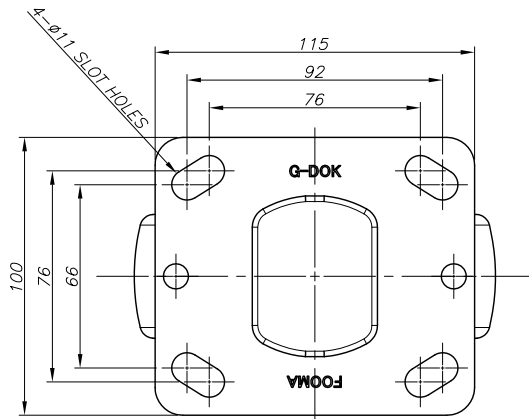
NO.	DESCRIPTION	UNIT	Q'TY	MATERIAL	WEIGHT	SPECIFICATION	REMARKS
---	---	-	-	-	-	-	-

FOOT MASTER®		FOOMA®		G-DOK IND.	
SERIES NAME	SPH-SERIES	DATE	2026.05.18	GSN NO.	4H233-111111
PRODUCT NAME	SPH-130-BSF-NYD	SCALE	1/2	DWG. NO.	4H233-111111
PART NAME	ASSEMBLY	WEIGHT	--	REVISION	SIZE A3
GENERAL TOLERANCE		B	ANGLE		

FOOT MASTER G-DOK IND.

REV. NO.	DATE	DESCRIPTION	APP'D	REMARKS
△	-	-	-	-

0



NOTE

≠1) MATERIAL : STAINLESS

PROCESS		GENERAL TOLERANCE		CHAMFER		0.5		ROUND		0.5		UNIT		mm	
MATERIAL		MACHINING WORKING		DIE CASTING		INJECTION MOLDING		PRESS WORKING							
		FINISH	PRECISION	GRADE	FINISH	PRECISION	GRADE	FINISH	PRECISION	GRADE	FINISH	PRECISION	GRADE		
		0.5 - 6	±0.05	±0.1	P-2	R1	R1	P-2	R1	R1	P-2	R1	R1		
		6 - 30	±0.1	±0.2	P-2	R1	R1	P-2	R1	R1	P-2	R1	R1		
		30 - 120	±0.15	±0.3	P-2	R1	R1	P-2	R1	R1	P-2	R1	R1		
		120 - 400	±0.2	±0.5	P-2	R1	R1	P-2	R1	R1	P-2	R1	R1		
		400 - 1000	±0.3	±0.8	P-2	R1	R1	P-2	R1	R1	P-2	R1	R1		

APPROVED BY	CHECKED BY	DRAWN BY
O.C.K	J.Y.H	K.S.J

PRODUCT GENERAL TOLERANCE			
CENTER HEIGHT	WHEEL OUTER DIAMETER	WHEEL HUB WIDTH	
±0.1	±0.2	±0.1	

FOOT MASTER®		FOOMA®		G-DOK IND.	
SERIES NAME	SPH-SERIES	DATE	2026.05.18	GSN NO.	4H223-111111
PRODUCT NAME	SPH-130-ARF-NYD	SCALE	1/2	DWG. NO.	4H223-111111
PART NAME	ASSEMBLY	WEIGHT	--	REVISION	SIZE A3
GENERAL TOLERANCE		B	ANGLE		⊕

FOOT MASTER G-DOK IND.