

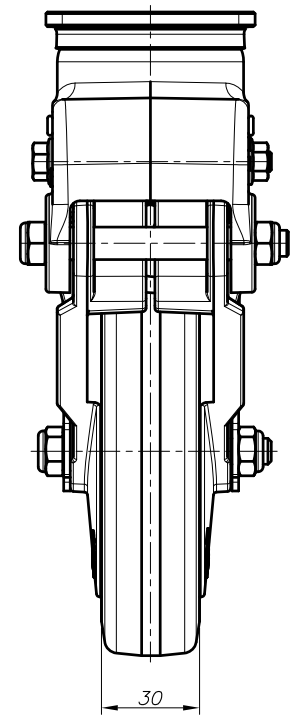
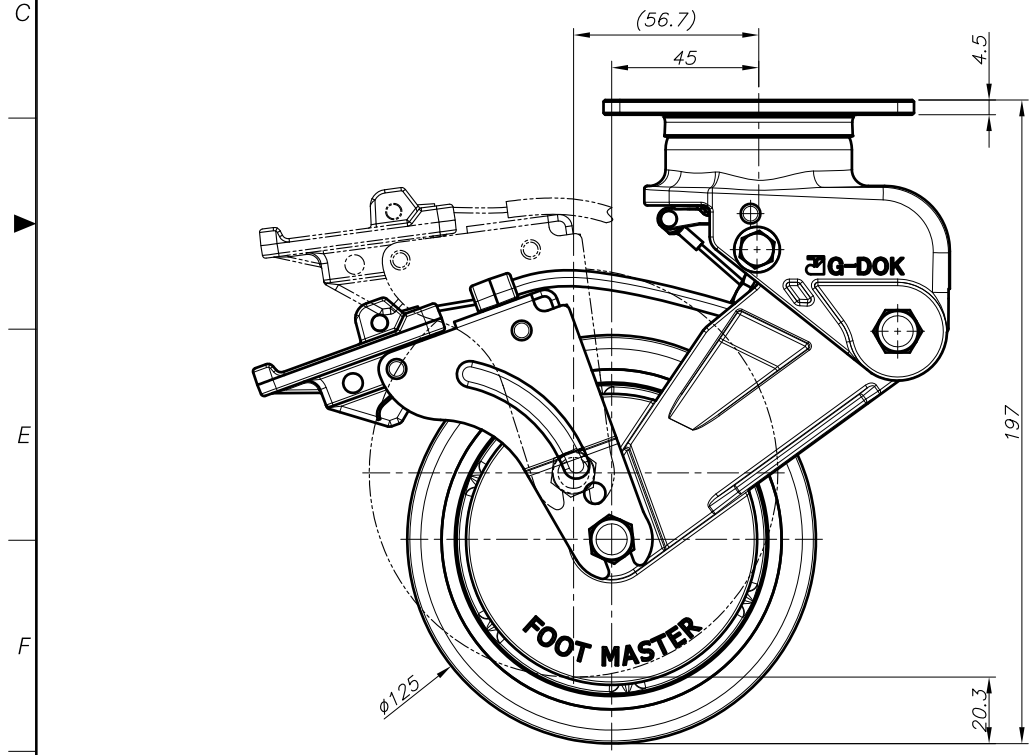
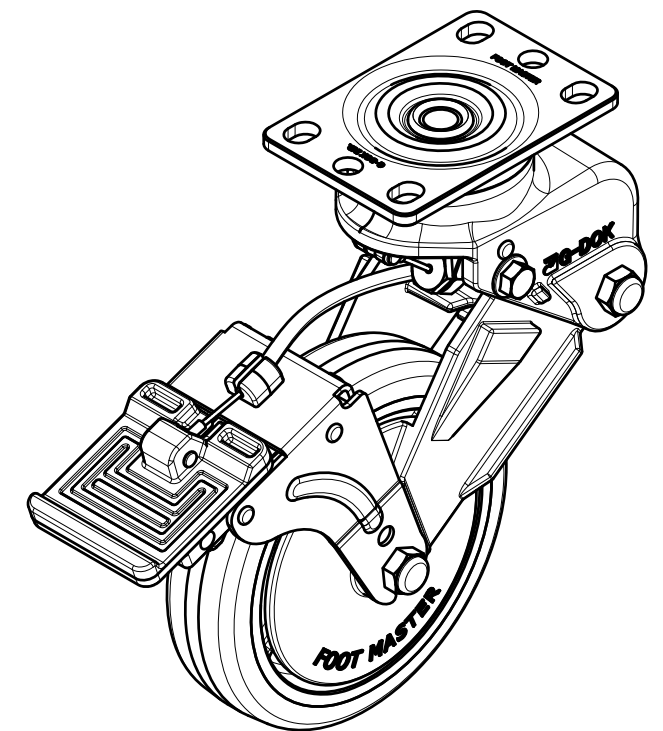
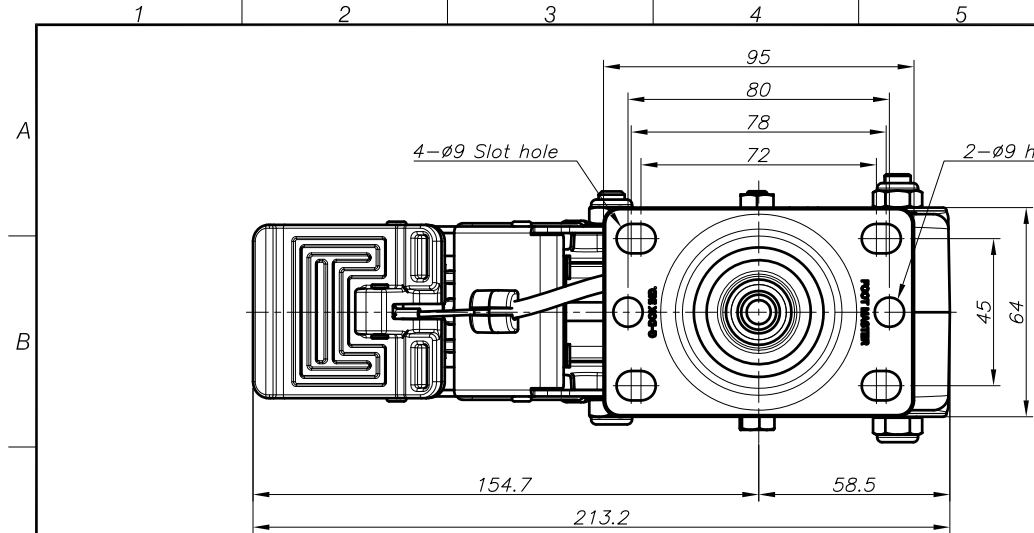
NOTE
 No1) LOAD CAPACITY : 100Kg/pce
 No2) SURFACE TREATMENTS : POWDER COATING & ZINC PLATED

PROCESS		MATERIAL		APPROVED BY		CHECKED BY		DRAWN BY	
---		---		O.C.K		J.Y.H		J.Y.S	

GENERAL TOLERANCE									
MACHINING WORKING			DIE CASTING			INJECTION MOLDING			PRESS WORKING
SIZE	PRECISION	GRADE	SIZE	PRECISION	GRADE	SIZE	PRECISION	GRADE	SIZE
0.5 - 6	H10/K9	F0.1	0.5 - 6	H10/K9	F0.1	0.5 - 6	H10/K9	F0.1	0.5 - 6
6 - 30	H11/K10	F0.2	6 - 30	H11/K10	F0.2	6 - 30	H11/K10	F0.2	6 - 30
30 - 120	H12/K11	F0.3	30 - 120	H12/K11	F0.3	30 - 120	H12/K11	F0.3	30 - 120
120 - 400	H13/K12	F0.4	120 - 400	H13/K12	F0.4	120 - 400	H13/K12	F0.4	120 - 400
400 - 1000	H14/K13	F0.5	400 - 1000	H14/K13	F0.5	400 - 1000	H14/K13	F0.5	400 - 1000

NO.	DESCRIPTION	UNIT	Q'TY	MATERIAL	WEIGHT	SPECIFICATION	REMARKS
FOOT MASTER®		FOOMA®		G-DOK IND.			
SERIES NAME		SHOCK ABSORBING CASTER		DATE	2022.02.22	GSN NO.	-
PRODUCT NAME		GDSB-125-ASF-LUD-PUS, GDSB-125-ARF-LUD-PUS		SCALE	--	DWG. NO.	-
PART NAME		ASSEMBLY		WEIGHT	--	REVISION	SIZE A3
GENERAL TOLERANCE		B		ANGLE			

FOOT MASTER G-DOK IND.

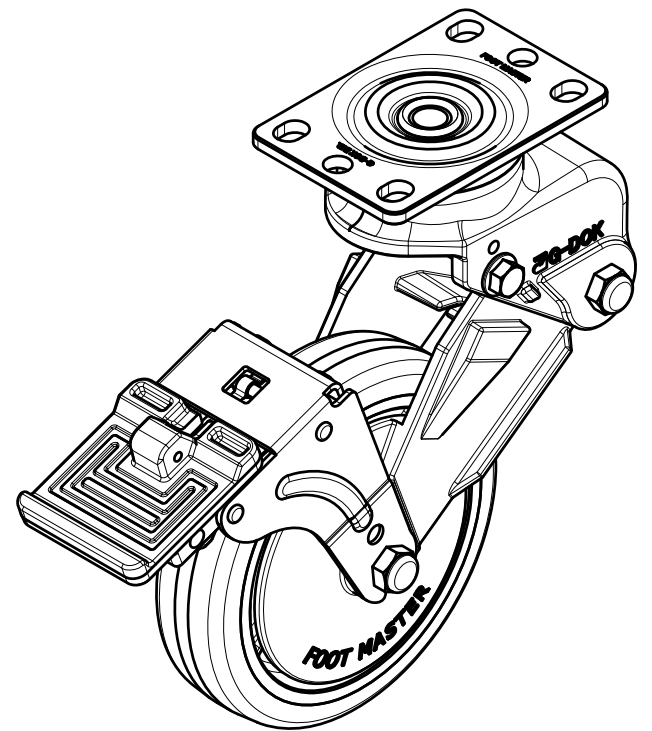
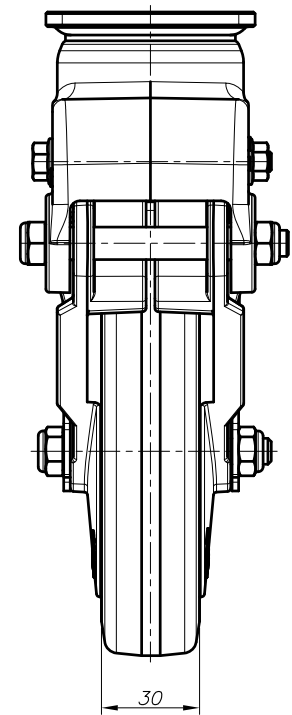
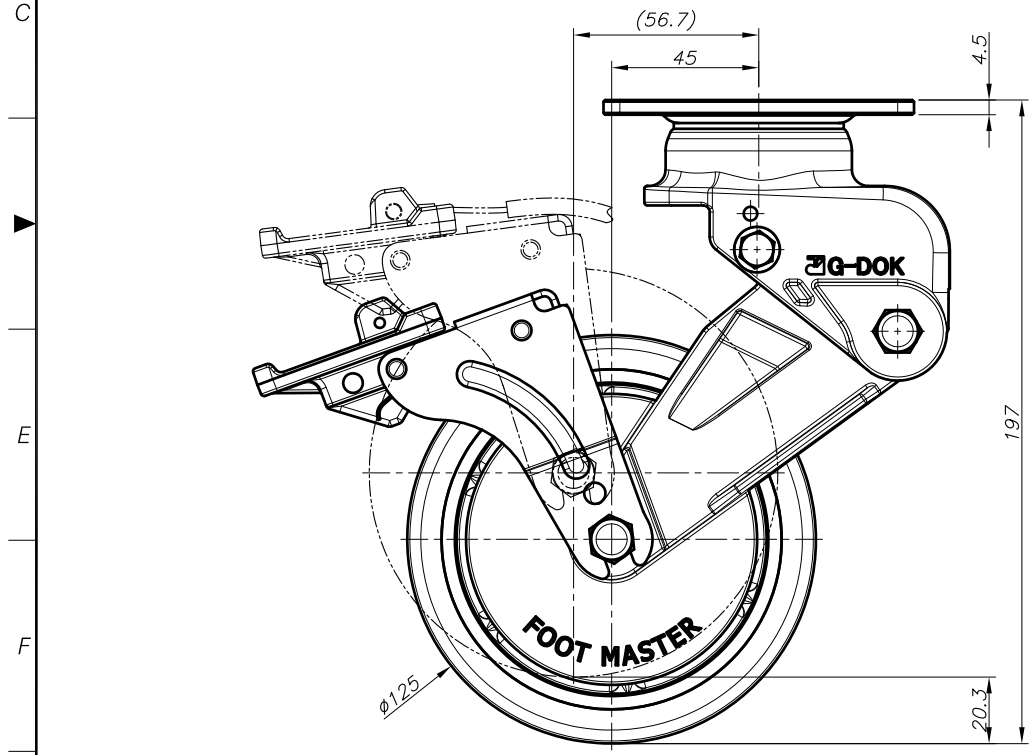
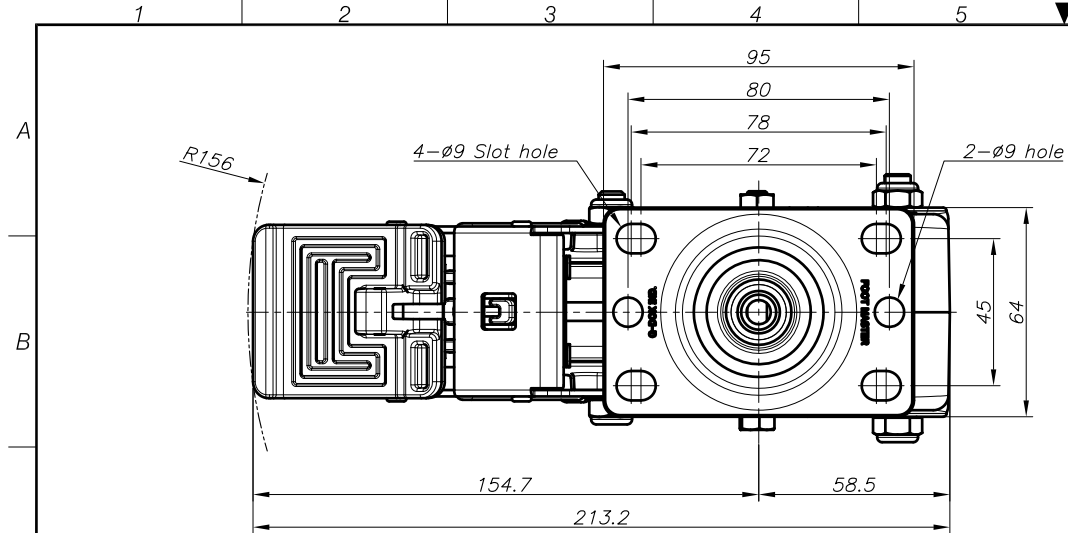


NOTE
 No1) LOAD CAPACITY : 100Kg/pce
 No2) SURFACE TREATMENTS : POWDER COATING & ZINC PLATED

PROCESS	MATERIAL	APPROVED BY	CHECKED BY	DRAWN BY	GENERAL TOLERANCE																																																								
---	---	O.C.K	J.Y.H	J.Y.S	<table border="1"> <tr> <th colspan="2">MACHINING WORKING</th> <th colspan="2">DIE CASTING</th> <th colspan="2">INJECTION MOLDING</th> <th colspan="2">PRESS WORKING</th> </tr> <tr> <th>FINISH</th> <th>TOLERANCE</th> <th>FINISH</th> <th>TOLERANCE</th> <th>FINISH</th> <th>TOLERANCE</th> <th>FINISH</th> <th>TOLERANCE</th> </tr> <tr> <td>0.5 - 6</td> <td>±0.15</td> <td>±0.1</td> <td>±0.3</td> <td>±0.2</td> <td>±0.2</td> <td>±0.2</td> <td>±0.2</td> </tr> <tr> <td>6 - 30</td> <td>±0.1</td> <td>±0.2</td> <td>±0.3</td> <td>±0.2</td> <td>±0.2</td> <td>±0.2</td> <td>±0.2</td> </tr> <tr> <td>30 - 120</td> <td>±0.15</td> <td>±0.2</td> <td>±0.3</td> <td>±0.2</td> <td>±0.2</td> <td>±0.2</td> <td>±0.2</td> </tr> <tr> <td>120 - 400</td> <td>±0.2</td> <td>±0.3</td> <td>±0.4</td> <td>±0.2</td> <td>±0.2</td> <td>±0.2</td> <td>±0.2</td> </tr> <tr> <td>400 - 1000</td> <td>±0.3</td> <td>±0.4</td> <td>±0.5</td> <td>±0.2</td> <td>±0.2</td> <td>±0.2</td> <td>±0.2</td> </tr> </table>	MACHINING WORKING		DIE CASTING		INJECTION MOLDING		PRESS WORKING		FINISH	TOLERANCE	FINISH	TOLERANCE	FINISH	TOLERANCE	FINISH	TOLERANCE	0.5 - 6	±0.15	±0.1	±0.3	±0.2	±0.2	±0.2	±0.2	6 - 30	±0.1	±0.2	±0.3	±0.2	±0.2	±0.2	±0.2	30 - 120	±0.15	±0.2	±0.3	±0.2	±0.2	±0.2	±0.2	120 - 400	±0.2	±0.3	±0.4	±0.2	±0.2	±0.2	±0.2	400 - 1000	±0.3	±0.4	±0.5	±0.2	±0.2	±0.2	±0.2
MACHINING WORKING		DIE CASTING		INJECTION MOLDING		PRESS WORKING																																																							
FINISH	TOLERANCE	FINISH	TOLERANCE	FINISH	TOLERANCE	FINISH	TOLERANCE																																																						
0.5 - 6	±0.15	±0.1	±0.3	±0.2	±0.2	±0.2	±0.2																																																						
6 - 30	±0.1	±0.2	±0.3	±0.2	±0.2	±0.2	±0.2																																																						
30 - 120	±0.15	±0.2	±0.3	±0.2	±0.2	±0.2	±0.2																																																						
120 - 400	±0.2	±0.3	±0.4	±0.2	±0.2	±0.2	±0.2																																																						
400 - 1000	±0.3	±0.4	±0.5	±0.2	±0.2	±0.2	±0.2																																																						

NO.	DESCRIPTION	UNIT	Q'TY	MATERIAL	WEIGHT	SPECIFICATION	REMARKS
FOOT MASTER® FOOMA® G-DOK IND.							
SERIES NAME		SHOCK ABSORBING CASTER		DATE	2022.02.22	GSN NO.	-
PRODUCT NAME		GDSB-125-BSF-LUD-PUS		SCALE	--	DWG. NO.	-
PART NAME		ASSEMBLY		WEIGHT	--	REVISION	SIZE A3
GENERAL TOLERANCE				B	ANGLE		⊙

FOOT MASTER G-DOK IND.



NOTE
 No1) LOAD CAPACITY : 100Kg/pce
 No2) SURFACE TREATMENTS : POWDER COATING & ZINC PLATED

PROCESS		MATERIAL		APPROVED BY		CHECKED BY		DRAWN BY	
---		---		O.C.K		J.Y.H		J.Y.S	

GENERAL TOLERANCE											
MACHINING WORKING			DIE CASTING			INJECTION MOLDING			PRESS WORKING		
SIZE	PRECISION	GRADE	SIZE	PRECISION	GRADE	SIZE	PRECISION	GRADE	SIZE	PRECISION	GRADE
0.5 - 6	±0.05	±0.1	4-8	±0.1	±0.2	10-20	±0.1	±0.2	20-50	±0.1	±0.2
6 - 30	±0.1	±0.2	8-12	±0.1	±0.2	20-30	±0.1	±0.2	50-100	±0.1	±0.2
30 - 120	±0.15	±0.3	12-18	±0.1	±0.2	30-40	±0.1	±0.2	100-200	±0.1	±0.2
120 - 400	±0.2	±0.5	18-24	±0.1	±0.2	40-50	±0.1	±0.2	200-300	±0.1	±0.2
400 - 1000	±0.3	±0.8	24-30	±0.1	±0.2	50-60	±0.1	±0.2	300-400	±0.1	±0.2

NO.	DESCRIPTION	UNIT	Q'TY	MATERIAL	WEIGHT	SPECIFICATION	REMARKS
FOOT MASTER®		FOOMA®		G-DOK IND.			
SERIES NAME		SHOCK ABSORBING CASTER		DATE		2022.02.22	
PRODUCT NAME		GDSB-125-BRF-LUD-PUS		SCALE		---	
PART NAME		ASSEMBLY		WEIGHT		---	
GENERAL TOLERANCE		B		REVISION		---	
ANGLE		A3		SIZE		A3	

FOOT MASTER G-DOK IND.