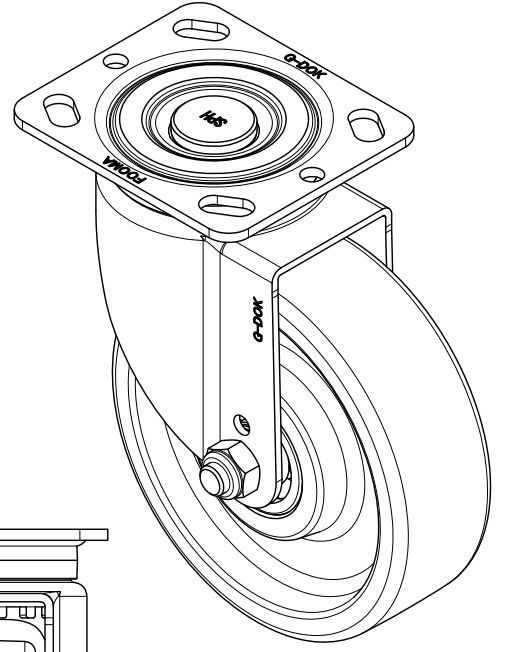
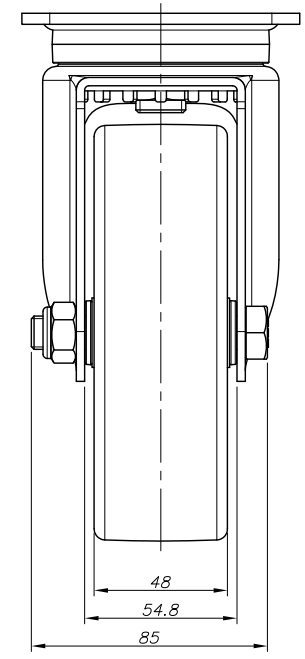
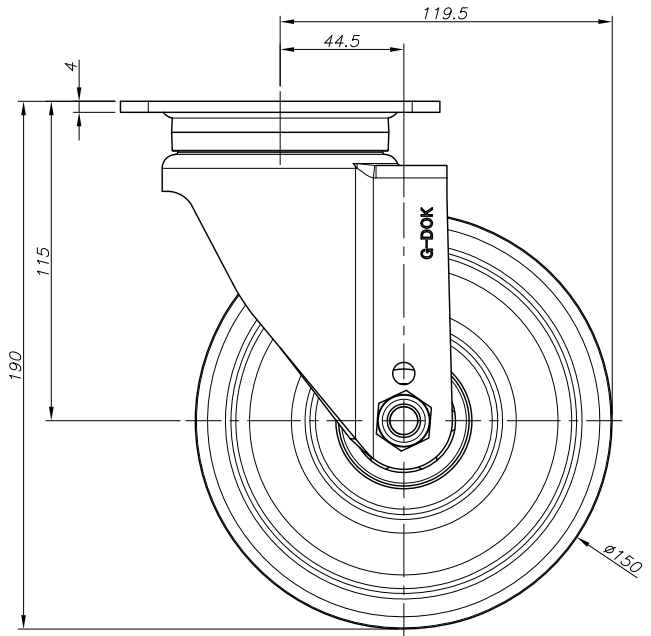
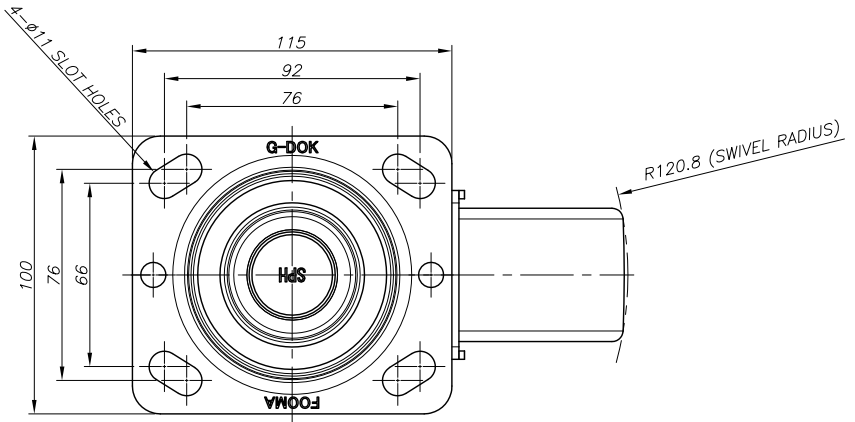


| REV. NO. | DATE | DESCRIPTION | APP'D | REMARKS |
|----------|------|-------------|-------|---------|
| △        | -    | -           | -     | -       |

A  
B  
C  
E  
F  
G

0



NOTE  
1) MATERIAL : STAINLESS

| PROCESS |  | MATERIAL |  | APPROVED BY |  | CHECKED BY |  | DRAWN BY |  |
|---------|--|----------|--|-------------|--|------------|--|----------|--|
| ---     |  | ---      |  | O.C.K       |  | J.Y.H      |  | K.S.J    |  |

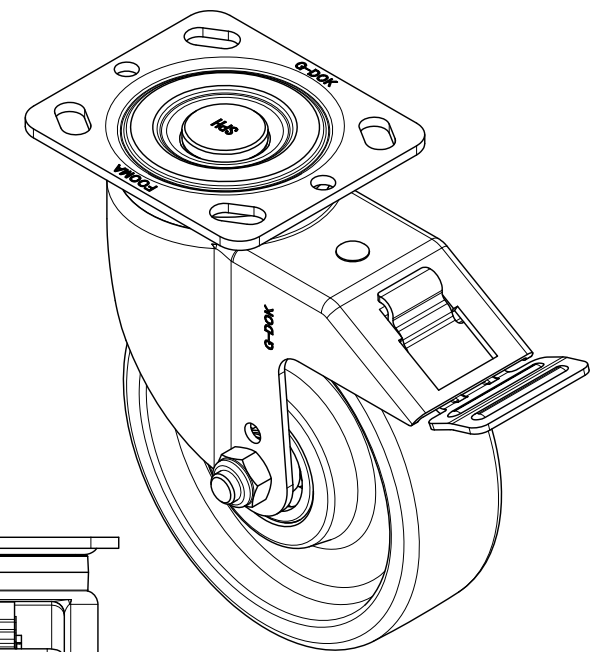
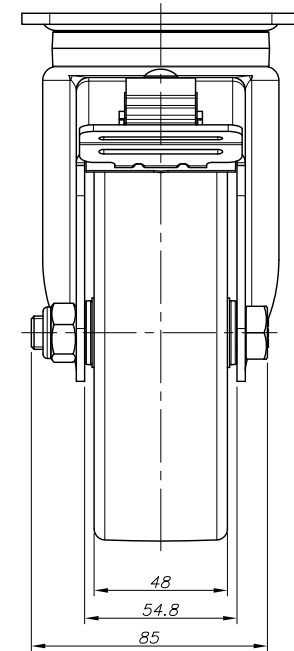
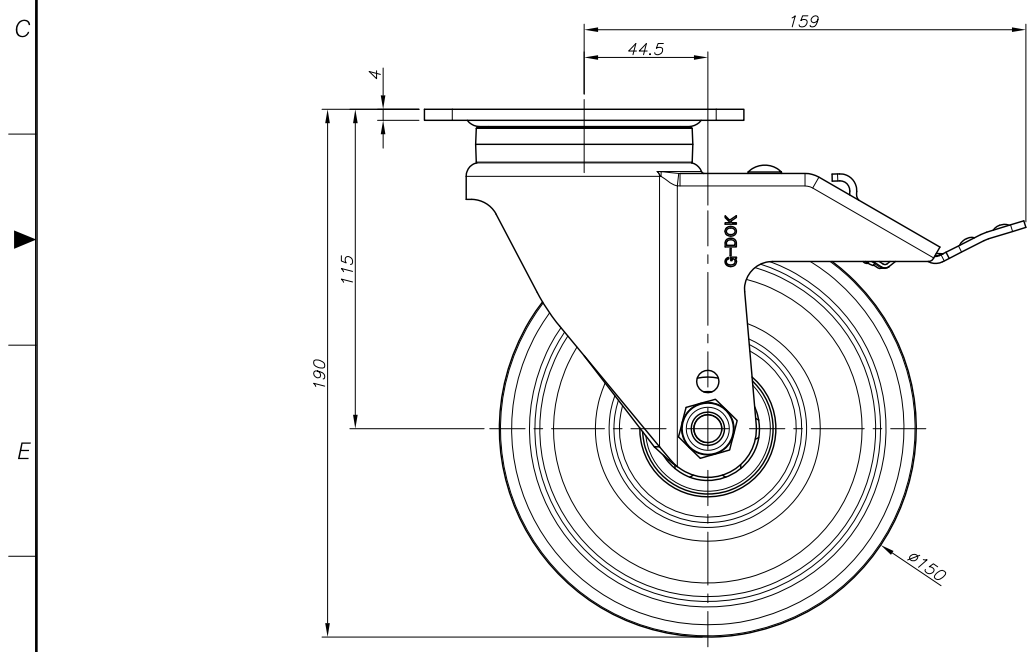
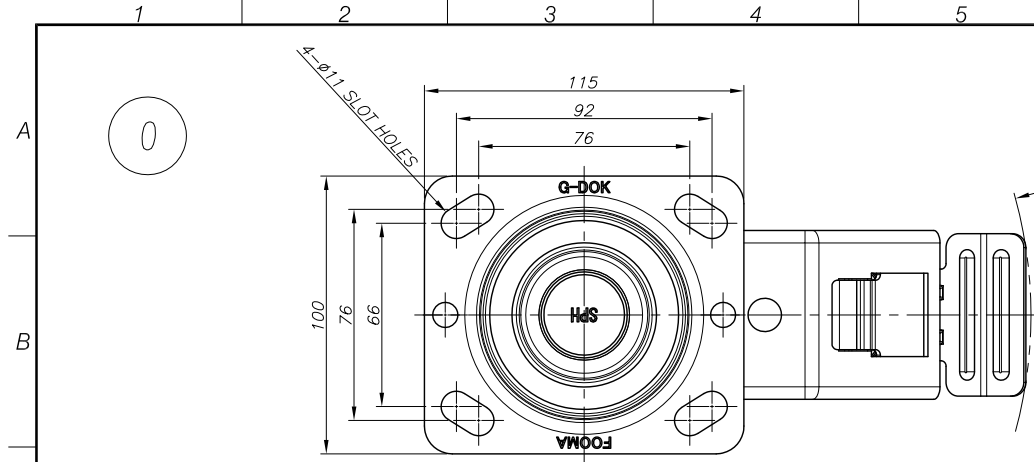
| GENERAL TOLERANCE |       |      |      |      |      |      |      |      |      |
|-------------------|-------|------|------|------|------|------|------|------|------|
| MACHINING WORKING |       |      |      |      |      |      |      |      |      |
| DIE CASTINGS      |       |      |      |      |      |      |      |      |      |
| INJECTION MOLDING |       |      |      |      |      |      |      |      |      |
| PRESS WORKING     |       |      |      |      |      |      |      |      |      |
| ±0.1              | ±0.05 | ±0.1 | ±0.2 | ±0.3 | ±0.4 | ±0.5 | ±0.6 | ±0.7 | ±0.8 |
| ±0.1              | ±0.05 | ±0.1 | ±0.2 | ±0.3 | ±0.4 | ±0.5 | ±0.6 | ±0.7 | ±0.8 |
| ±0.1              | ±0.05 | ±0.1 | ±0.2 | ±0.3 | ±0.4 | ±0.5 | ±0.6 | ±0.7 | ±0.8 |
| ±0.1              | ±0.05 | ±0.1 | ±0.2 | ±0.3 | ±0.4 | ±0.5 | ±0.6 | ±0.7 | ±0.8 |
| ±0.1              | ±0.05 | ±0.1 | ±0.2 | ±0.3 | ±0.4 | ±0.5 | ±0.6 | ±0.7 | ±0.8 |

| NO. |     | DESCRIPTION |   | UNIT | Q'TY | MATERIAL | WEIGHT | SPECIFICATION | REMARKS |
|-----|-----|-------------|---|------|------|----------|--------|---------------|---------|
| --- | --- | -           | - | -    | -    | -        | -      | -             | -       |

| SERIES NAME     |  | DATE       |  | GSN NO.      |  |
|-----------------|--|------------|--|--------------|--|
| SPH-SERIES      |  | 2026.05.18 |  | 4H313-111111 |  |
| PRODUCT NAME    |  | SCALE      |  | DWG. NO.     |  |
| SPH-150-ASF-NYD |  | 1/2        |  | 4H313-111111 |  |
| PART NAME       |  | WEIGHT     |  | REVISION     |  |
| ASSEMBLY        |  | ---        |  | A3           |  |

FOOT MASTER G-DOK IND. FOOT MASTER G-DOK IND.

| REV. NO. | DATE | DESCRIPTION | APP'D | REMARKS |
|----------|------|-------------|-------|---------|
| △        | -    | -           | -     | -       |



NOTE  
 1) MATERIAL : STAINLESS

| PROCESS |  | MATERIAL |  | APPROVED BY |  | CHECKED BY |  | DRAWN BY |  |
|---------|--|----------|--|-------------|--|------------|--|----------|--|
| ---     |  | ---      |  | O.C.K       |  | J.Y.H      |  | K.S.J    |  |

| FOOT MASTER®      |                 | FOOMA® |            | G-DOK IND. |              |
|-------------------|-----------------|--------|------------|------------|--------------|
| SERIES NAME       | SPH-SERIES      | DATE   | 2026.05.18 | GSN NO.    | 4H333-111111 |
| PRODUCT NAME      | SPH-150-BSF-NYD | SCALE  | 1/2        | DWG. NO.   | 4H333-111111 |
| PART NAME         | ASSEMBLY        | WEIGHT | --         | REVISION   | SIZE A3      |
| GENERAL TOLERANCE |                 | B      |            | ANGLE      |              |

FOOT MASTER G-DOK IND.

1 2 3 4 5 6 7 8 9 0

| REV. NO. | DATE | DESCRIPTION | APP'D | REMARKS |
|----------|------|-------------|-------|---------|
| △        | -    | -           | -     | -       |

A

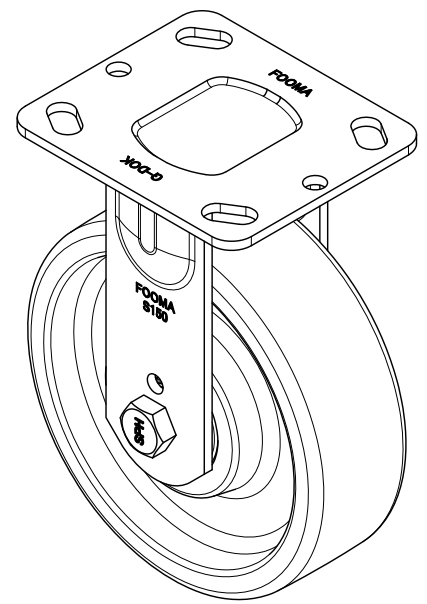
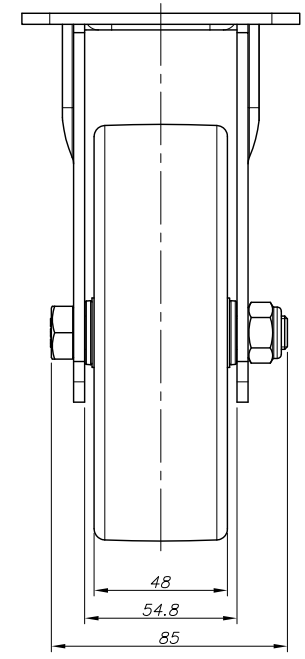
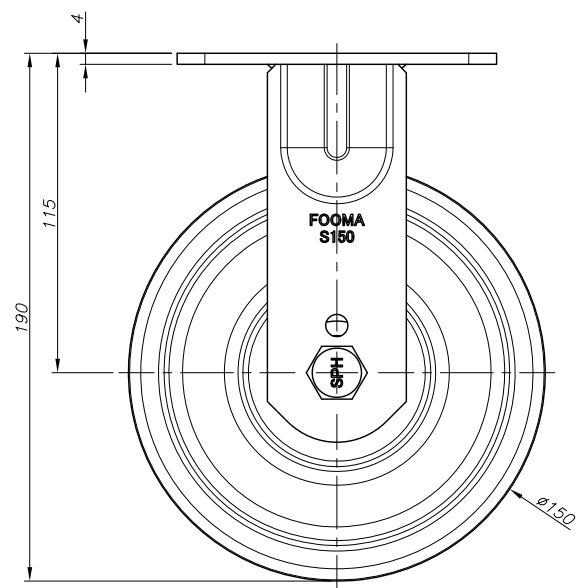
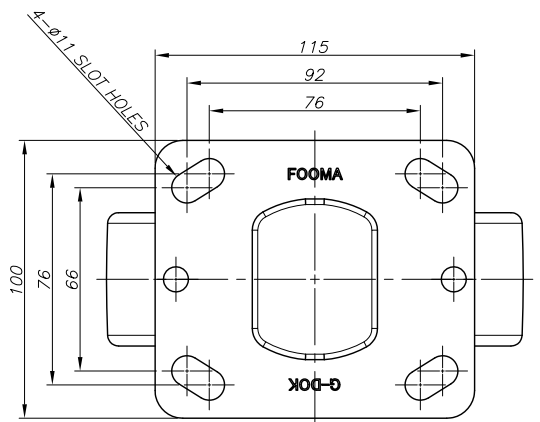
B

C

E

F

G



FOOT MASTER G-DOK IND. FOOT MASTER G-DOK IND. FOOT MASTER G-DOK IND.

NOTE  
 1) MATERIAL : STAINLESS

| PROCESS |  | MATERIAL |  | APPROVED BY |  | CHECKED BY |  | DRAWN BY |  |
|---------|--|----------|--|-------------|--|------------|--|----------|--|
| ---     |  | ---      |  | O.C.K       |  | J.Y.H      |  | K.S.J    |  |

| NO. | DESCRIPTION | UNIT | Q'TY | MATERIAL | WEIGHT | SPECIFICATION | REMARKS |
|-----|-------------|------|------|----------|--------|---------------|---------|
| --- | ---         | ---  | ---  | ---      | ---    | ---           | ---     |

|                     |                 |               |            |                   |              |
|---------------------|-----------------|---------------|------------|-------------------|--------------|
| <b>FOOT MASTER®</b> |                 | <b>FOOMA®</b> |            | <b>G-DOK IND.</b> |              |
| SERIES NAME         | SPH-SERIES      | DATE          | 2026.05.18 | GSN NO.           | 4H323-111111 |
| PRODUCT NAME        | SPH-150-ARF-NYD | SCALE         | 1/2        | DWG. NO.          | 4H323-111111 |
| PART NAME           | ASSEMBLY        | WEIGHT        | ---        | REVISION          | SIZE A3      |
| GENERAL TOLERANCE   |                 | B             |            | ANGLE             |              |

1 2 3 4 5 6 7 8 9 0