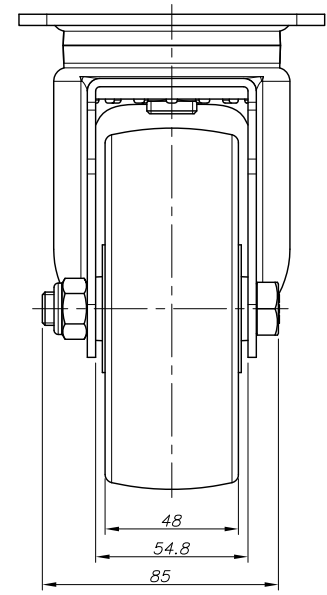
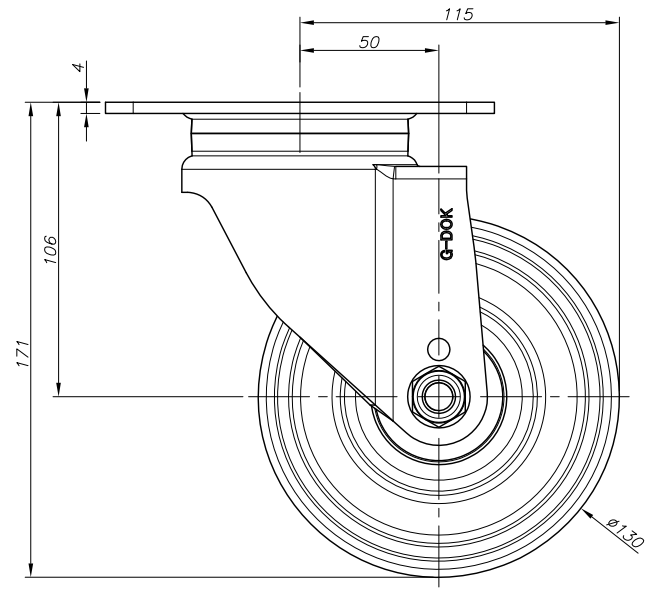
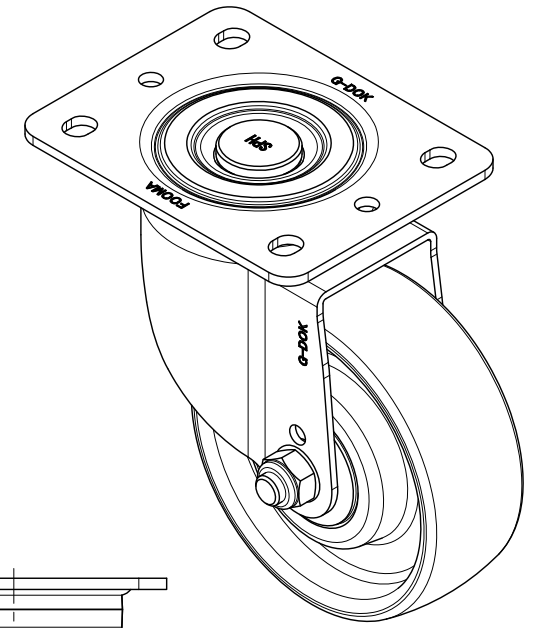
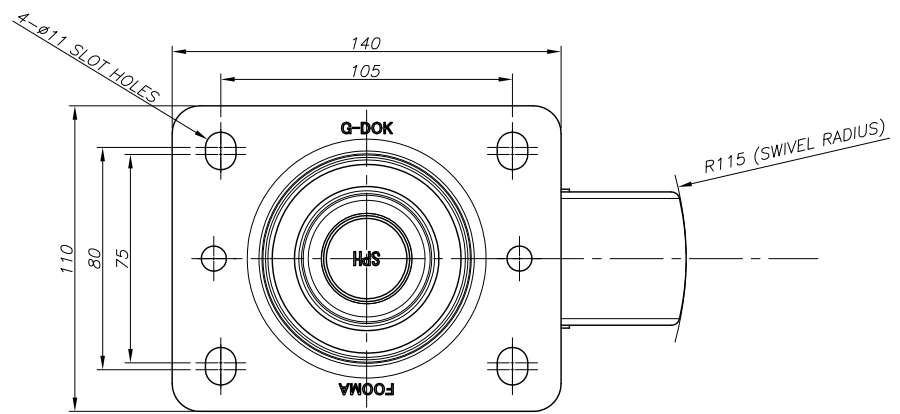


REV. NO.	DATE	DESCRIPTION	APP'D	REMARKS
-	-	-	-	-

A  
B  
C  
E  
F  
G



NOTE  
1) MATERIAL : STAINLESS

PROCESS	GENERAL TOLERANCE															
MATERIAL	MACHINING WORKING				DIE CASTINGS				INJECTION MOLDING				PRESS WORKING			
	ANG2	PRECISION	GRADE	UNIT	ANG2	PRECISION	GRADE	UNIT	ANG2	PRECISION	GRADE	UNIT	ANG2	PRECISION	GRADE	UNIT
	0.5 - 6	±0.05	±0.1	mm	0.5 - 6	±0.1	±0.2	mm	0.5 - 6	±0.1	±0.2	mm	0.5 - 6	±0.1	±0.2	mm
	6 - 30	±0.1	±0.2	mm	6 - 30	±0.2	±0.3	mm	6 - 30	±0.2	±0.3	mm	6 - 30	±0.2	±0.3	mm
	30 - 120	±0.15	±0.3	mm	30 - 120	±0.3	±0.4	mm	30 - 120	±0.3	±0.4	mm	30 - 120	±0.3	±0.4	mm
	120 - 400	±0.2	±0.5	mm	120 - 400	±0.4	±0.6	mm	120 - 400	±0.4	±0.6	mm	120 - 400	±0.4	±0.6	mm
	400 - 1000	±0.3	±0.8	mm	400 - 1000	±0.5	±1.0	mm	400 - 1000	±0.5	±1.0	mm	400 - 1000	±0.5	±1.0	mm

APPROVED BY	CHECKED BY	DRAWN BY
O.C.K	J.Y.H	K.S.J

PRODUCT GENERAL TOLERANCE			
CUSTOMER HEIGHT	WHEEL OUTER DIAMETER	WHEEL HUB WIDTH	
6 - 30	±0.1	±0.2	mm
30 - 120	±0.15	±0.3	mm
120 - 400	±0.2	±0.5	mm
400 - 1000	±0.3	±0.8	mm

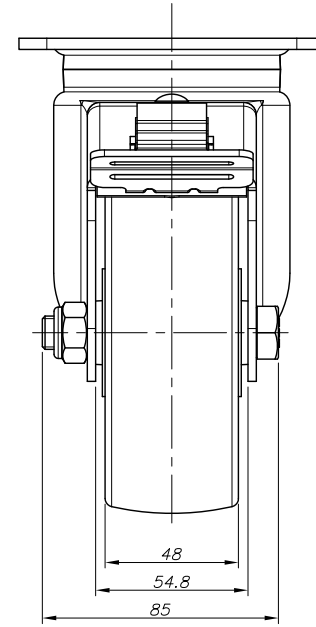
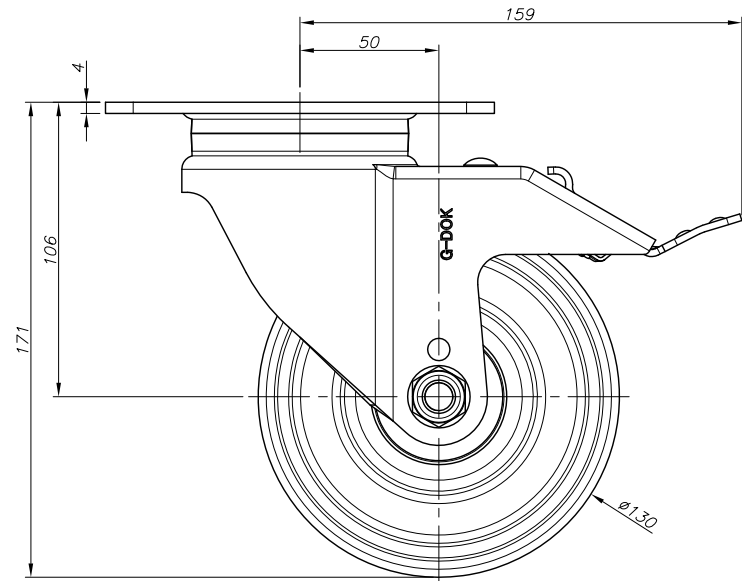
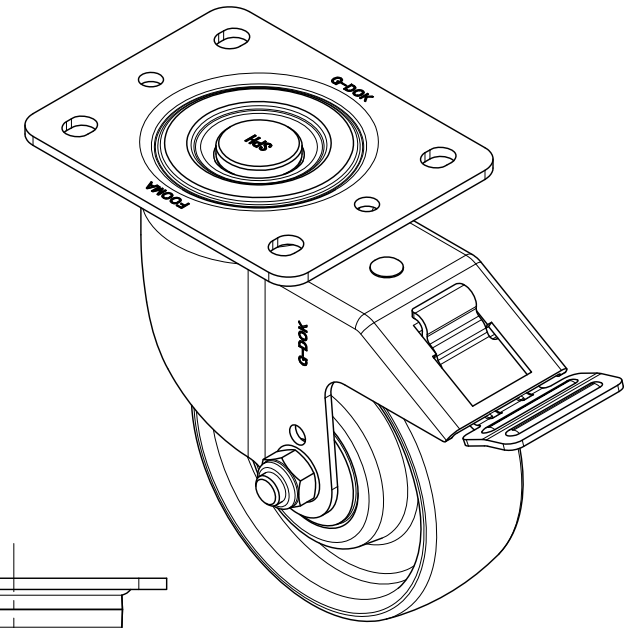
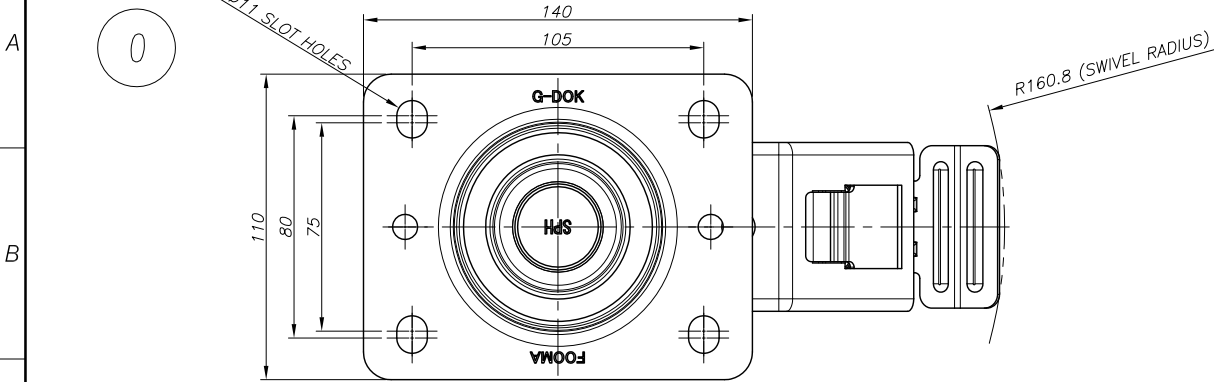
NO.	DESCRIPTION	UNIT	Q'TY	MATERIAL	WEIGHT	SPECIFICATION	REMARKS
--	--	-	-	-	-	-	-

FOOT MASTER®		FOOMA®		G-DOK IND.	
SERIES NAME	SPH-SERIES	DATE	2026.05.18	GSN NO.	4#213-211111
PRODUCT NAME	SPH-130-ASF-NYD-PEU	SCALE	1/2	DWG. NO.	4#213-211111
PART NAME	ASSEMBLY	WEIGHT	--	REVISION	SIZE A3
GENERAL TOLERANCE		B	ANGLE		

1 2 3 4 5 6 7 8 9 0

FOOT MASTER G-DOK IND.

REV. NO.	DATE	DESCRIPTION	APP'D	REMARKS
-	-	-	-	-



NOTE  
 1) MATERIAL : STAINLESS

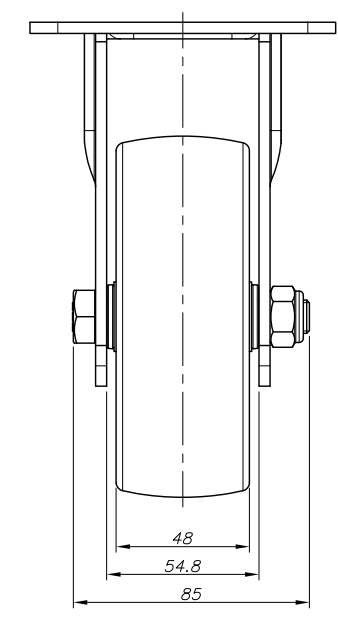
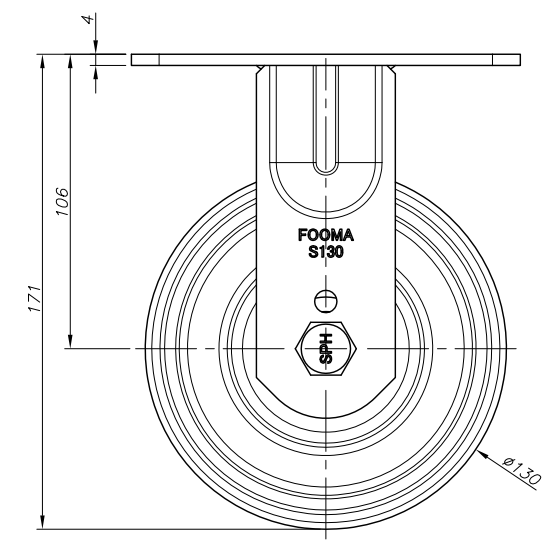
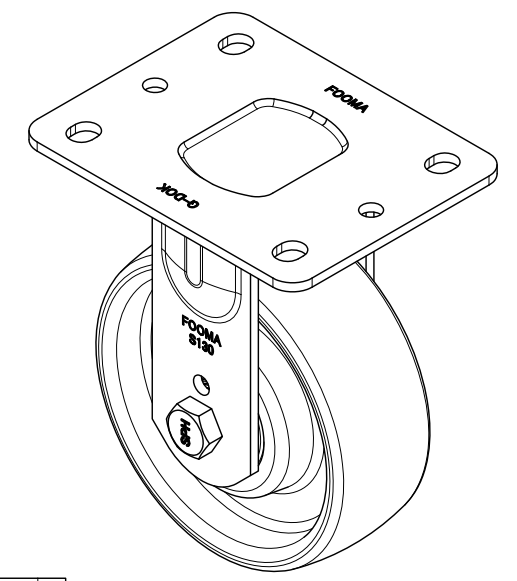
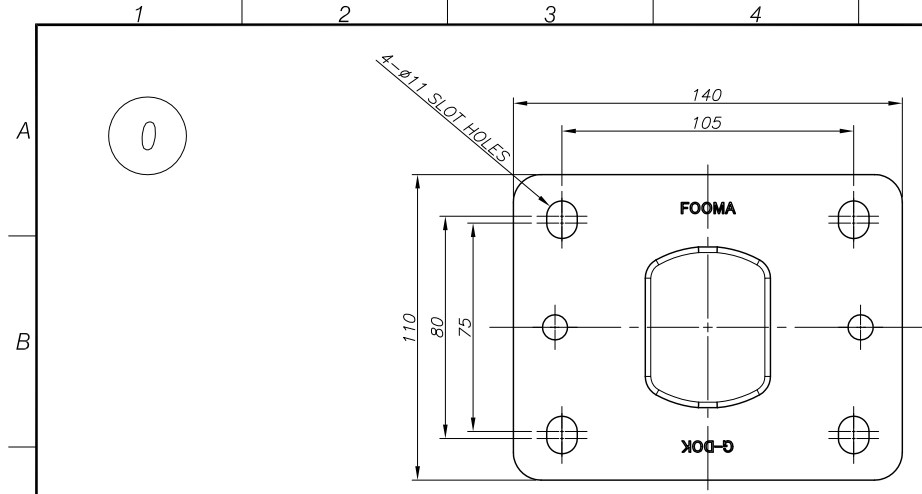
NO.	DESCRIPTION	UNIT	Q'TY	MATERIAL	WEIGHT	SPECIFICATION	REMARKS
--	--	-	-	-	-	-	-

PROCESS	--
MATERIAL	--
APPROVED BY	O.C.K
CHECKED BY	J.Y.H
DRAWN BY	K.S.J
<b>PRODUCT GENERAL TOLERANCE</b>	
CASTER HEIGHT	WHEEL OUTER DIAMETER
PRECISION	PRECISION
±0.15	±0.15
±0.1	±0.1
±0.05	±0.05
±0.02	±0.02
±0.01	±0.01

<b>FOOT MASTER®</b>		<b>FOOMA®</b>		<b>G-DOK IND.</b>	
SERIES NAME	SPH-SERIES	DATE	2026.05.18	GSN NO.	4H233-211111
PRODUCT NAME	SPH-130-BSF-NYD-PEU	SCALE	1/2	DWG. NO.	4H233-211111
PART NAME	ASSEMBLY	WEIGHT	--	REVISION	SIZE A3
GENERAL TOLERANCE		B	ANGLE		

FOOT MASTER G-DOK IND.

REV. NO.	DATE	DESCRIPTION	APP'D	REMARKS
1	-	-	-	-



NOTE  
 1) MATERIAL : STAINLESS

PROCESS		MATERIAL		APPROVED BY		CHECKED BY		DRAWN BY	
---		---		O.C.K		J.Y.H		K.S.J	

FOOT MASTER®				FOOMA®		G-DOK IND.	
SERIES NAME	SPH-SERIES			DATE	2026.05.18	GSN NO.	4H223-211111
PRODUCT NAME	SPH-130-ARF-NYD-PEU			SCALE	1/2	DWG. NO.	4H223-211111
PART NAME	ASSEMBLY			WEIGHT	--	REVISION	SIZE A3
GENERAL TOLERANCE				B		ANGLE	

FOOT MASTER G-DOK IND.