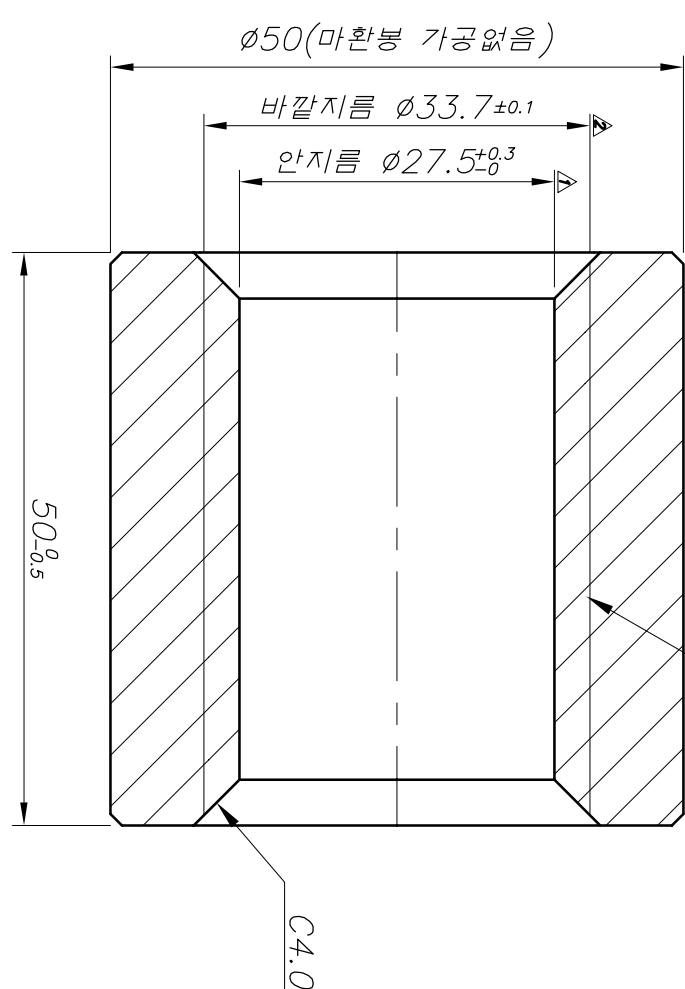
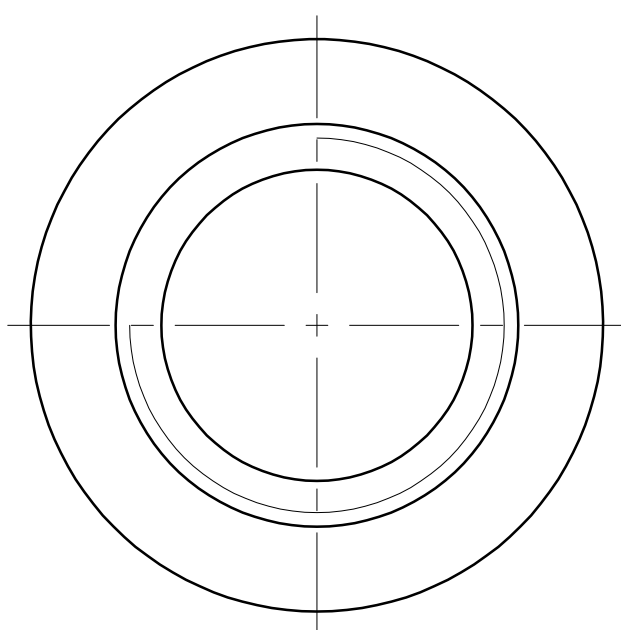
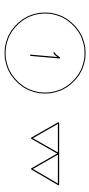


REV. NO.	DATE	DESCRIPTION	APP'D.	REMARKS
1	21.10.06	초판 유력 검토	O.C.K	-
2	22.09.27	유력 최종 검토	O.C.K	-



TM32x6.35P  
(TM32-4U)

NOTE

- 주1) 치/공차는 모따기 C1
- 주2) 소재 : SM45C  $\phi 50(\text{마}) \times 53\text{L}$
- 주3) 표면처리 : 백색아연도금
- 주4) 설계 기준 규격 : TM32-4TREAD (6.35P) 29° 시더리콜 니사

PROCESS	C-WELD-QWC-TIG-GRIND (HESJ)	
MATERIAL	SM45C	
APPROVED BY	CHECKED BY	DRAWN BY
O.C.K	J.Y.H	J.Y.S

PRODUCT DIMENSION TOLERANCE		GENERAL DIMENSION TOLERANCE	
SIZE	TOLERANCE	SIZE	TOLERANCE
0.5-3	±0.1	0.5-3	±0.1
3-6	±0.15	3-6	±0.15
6-30	±0.2	6-30	±0.2
30-100	±0.3	30-100	±0.3
100-200	±0.4	100-200	±0.4

SERIES NAME		FOOT MASTER®		FOOMMA®		G-DOK IND.	
PRODUCT NAME		CMT-80-ASS-HUD-PM32-115		CMT-80-NUJ-TM32-4THRD			
DATE	SCALE	DATE	SCALE	DATE	SCALE	DATE	SCALE
2022.09.27	M/S						
PART NAME		CMT-80-NUJ-TM32-4THRD		CMT-80-NUJ-TM32-4THRD			
OPEN DRAWING	2						