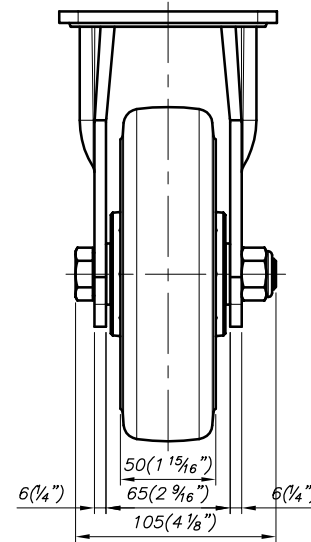
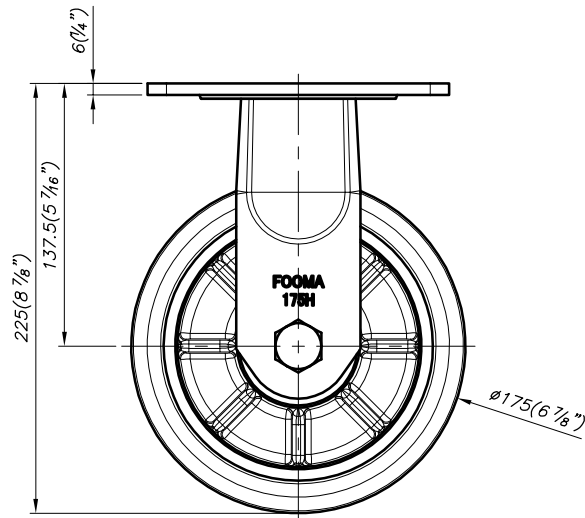
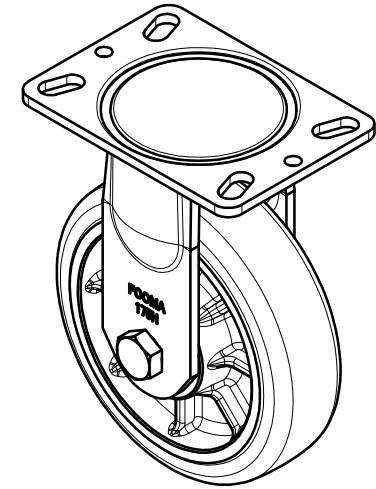
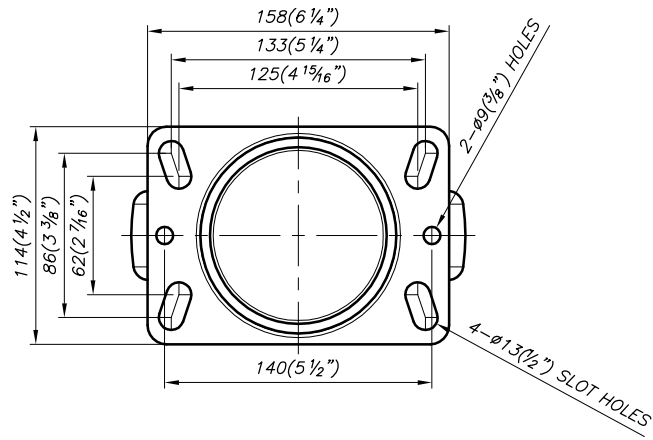


REV. NO.	DATE	DESCRIPTION	APP'D	REMARKS
1	-	-	-	-

0



**NOTE**

- ±1) LOAD CAPACITY : 800KG/EA
- ±2) SURFACE TREATMENT : POWDER COATED & ZINC GALVANIZED

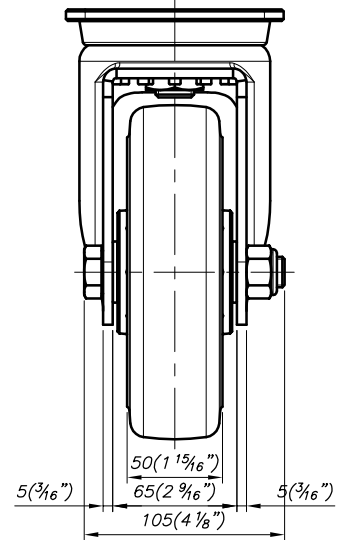
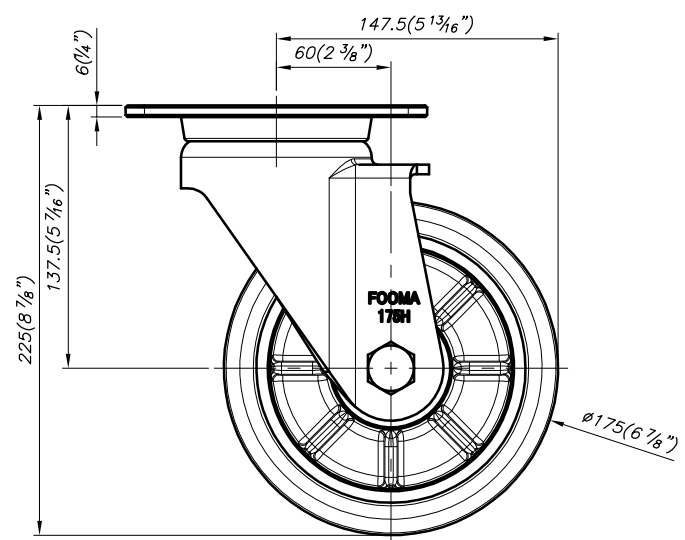
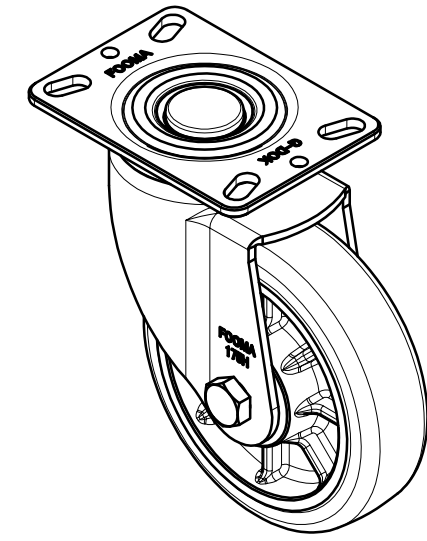
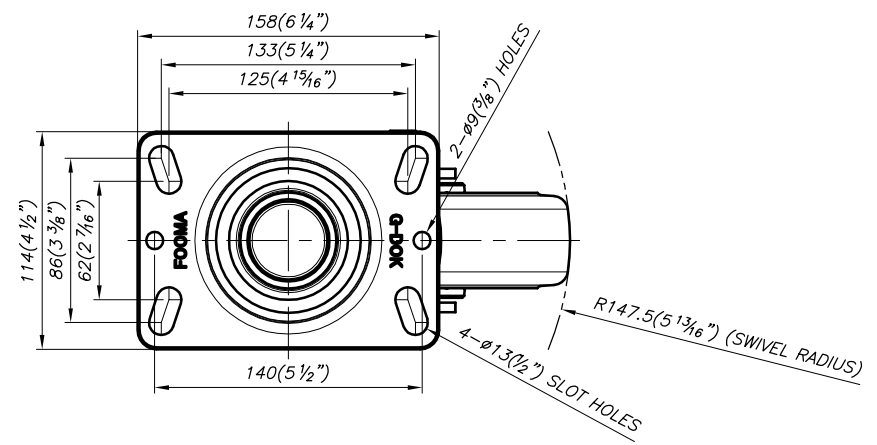
PROCESS		GENERAL TOLERANCE															
MATERIAL		MACHINING WORKING				DIE CASTING				ELECTRON BEAMING				PRESS WORKING			
APPROVED BY		CHECKED BY		DRAWN BY		FINISH		SURFACE		HARDNESS		TEMPERATURE		STRESS		WELDING	
O.C.K	J.Y.H	J.T.H															

<b>FOOT MASTER®</b>		<b>FOOMA®</b>		<b>G-DOK IND.</b>	
SERIES NAME	GHP-SERIES	DATE	2024.04.26	GSN NO.	5E221-111111
PRODUCT NAME	GHP-175-ARF-MUD	SCALE	1/3	DWG. NO.	5E221-111111
PART NAME	ASSEMBLY	WEIGHT	--	REVISION	SIZE A3
		GENERAL TOLERANCE	B	ANGLE	⊕ ⊖

FOOT MASTER G-DOK IND. FOOT MASTER G-DOK IND.

REV. NO.	DATE	DESCRIPTION	APP'D	REMARKS
1	-	-	-	-

0



**NOTE**  
 ⚠1) LOAD CAPACITY : 800KG/EA  
 ⚠2) SURFACE TREATMENT : POWDER COATED & ZINC GALVANIZED

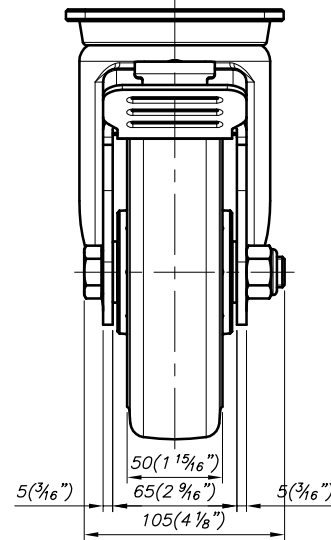
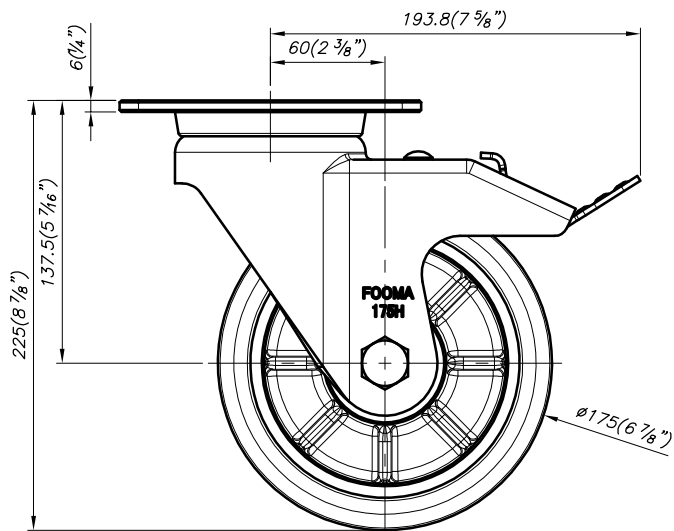
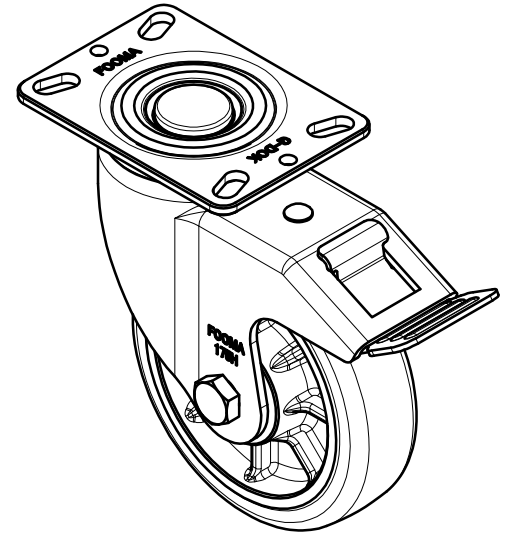
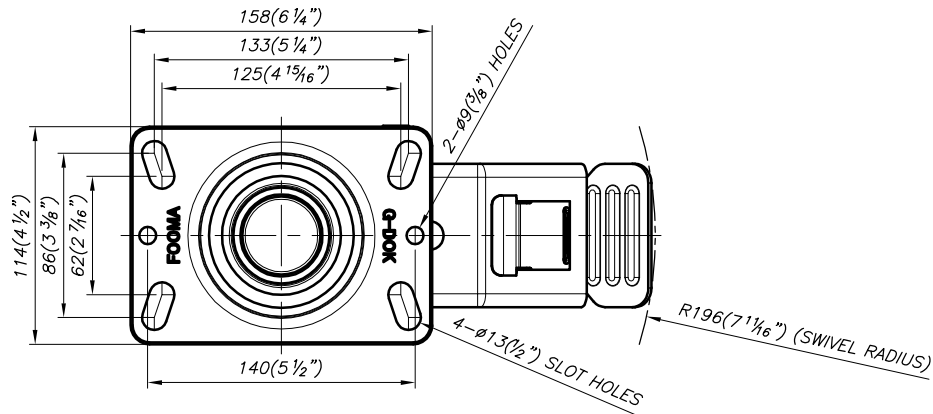
PROCESS		GENERAL TOLERANCE									
MATERIAL		MACHINING FINISH		DE CASTING		ELECTRON BEAM				PRESS FINISH	
APPROVED BY	CHECKED BY	DRAWN BY	FINISH	PRECISION	FINISH	PRECISION	FINISH	PRECISION	FINISH	PRECISION	FINISH
O.C.K	J.Y.H	J.T.H	0.5-6	±0.05	±0.1	1-3	±0.05	±0.1	±0.05	±0.1	±0.05
			6-30	±0.1	±0.2	3-5	±0.05	±0.1	±0.05	±0.1	±0.05
			30-120	±0.15	±0.3	5-8	±0.05	±0.1	±0.05	±0.1	±0.05
			120-400	±0.2	±0.5	8-10	±0.05	±0.1	±0.05	±0.1	±0.05
			400-1000	±0.3	±0.8	10-15	±0.05	±0.1	±0.05	±0.1	±0.05

FOOT MASTER®		FOOMA®		G-DOK IND.	
SERIES NAME	GHP-SERIES	DATE	2024.04.26	GSN NO.	5E211-111111
PRODUCT NAME	GHP-175-ASF-MUD	SCALE	1/3	DWG. NO.	5E211-111111
PART NAME	ASSEMBLY	WEIGHT	--	REVISION	SIZE A3
		GENERAL TOLERANCE	B	ANGLE	⚠

FOOT MASTER G-DOK IND. FOOT MASTER G-DOK IND.

REV. NO.	DATE	DESCRIPTION	APP'D	REMARKS
1	-	-	-	-

0



**NOTE**  
 ⌘1) LOAD CAPACITY : 800KG/EA  
 ⌘2) SURFACE TREATMENT : POWDER COATED & ZINC GALVANIZED

PROCESS		GENERAL TOLERANCE																			
MATERIAL		MACHINING WORKING				DE CASTING				ELECTRON BEAMING				PRESS WORKING							
APPROVED BY	CHECKED BY	DRAWN BY	PRODUCT GENERAL TOLERANCE																		
O.C.K	J.Y.H	J.T.H	CUTTER HEIGHT		WHEEL OUTER DIAMETER		WHEEL HUB WIDTH		PRECISION		GENERAL		PRECISION		GENERAL		PRECISION		GENERAL		
			±0.05	±0.1	±0.15	±0.2	±0.2	±0.3	±0.4	±0.5	±0.6	±0.7	±0.8	±0.9	±1.0	±1.2	±1.5	±2.0	±2.5	±3.0	±4.0
			±0.05	±0.1	±0.15	±0.2	±0.2	±0.3	±0.4	±0.5	±0.6	±0.7	±0.8	±0.9	±1.0	±1.2	±1.5	±2.0	±2.5	±3.0	±4.0
			±0.05	±0.1	±0.15	±0.2	±0.2	±0.3	±0.4	±0.5	±0.6	±0.7	±0.8	±0.9	±1.0	±1.2	±1.5	±2.0	±2.5	±3.0	±4.0
			±0.05	±0.1	±0.15	±0.2	±0.2	±0.3	±0.4	±0.5	±0.6	±0.7	±0.8	±0.9	±1.0	±1.2	±1.5	±2.0	±2.5	±3.0	±4.0

NO.	DESCRIPTION	UNIT	Q'TY	MATERIAL	WEIGHT	SPECIFICATION	REMARKS
--	--	--	--	--	--	--	--

<b>FOOT MASTER®</b>		<b>FOOMA®</b>		<b>G-DOK IND.</b>	
SERIES NAME	GHP-SERIES	DATE	2024.04.26	GSN NO.	5E231-111111
PRODUCT NAME	GHP-175-BSF-MUD	SCALE	1/3	DWG. NO.	5E231-111111
PART NAME	ASSEMBLY	WEIGHT	--	REVISION	SIZE A3
		GENERAL TOLERANCE	B	ANGLE	⚠

FOOT MASTER G-DOK IND.