

FOOT MASTER<sup>®</sup>

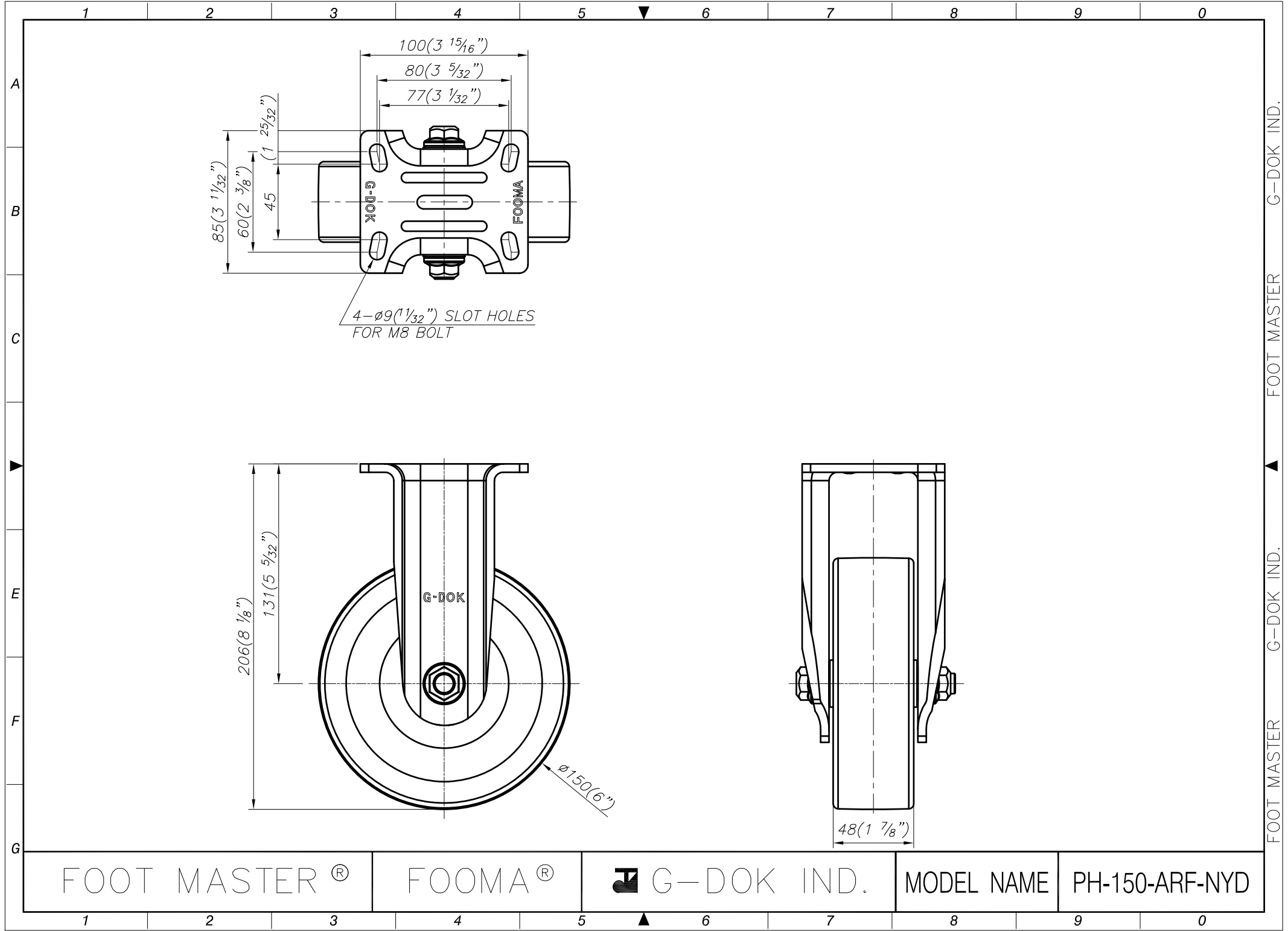
FOOMA<sup>®</sup>

G-DOK IND.

MODEL NAME

PH-150-BSF-NYD

FOOT MASTER G-DOK IND.



FOOT MASTER<sup>®</sup>

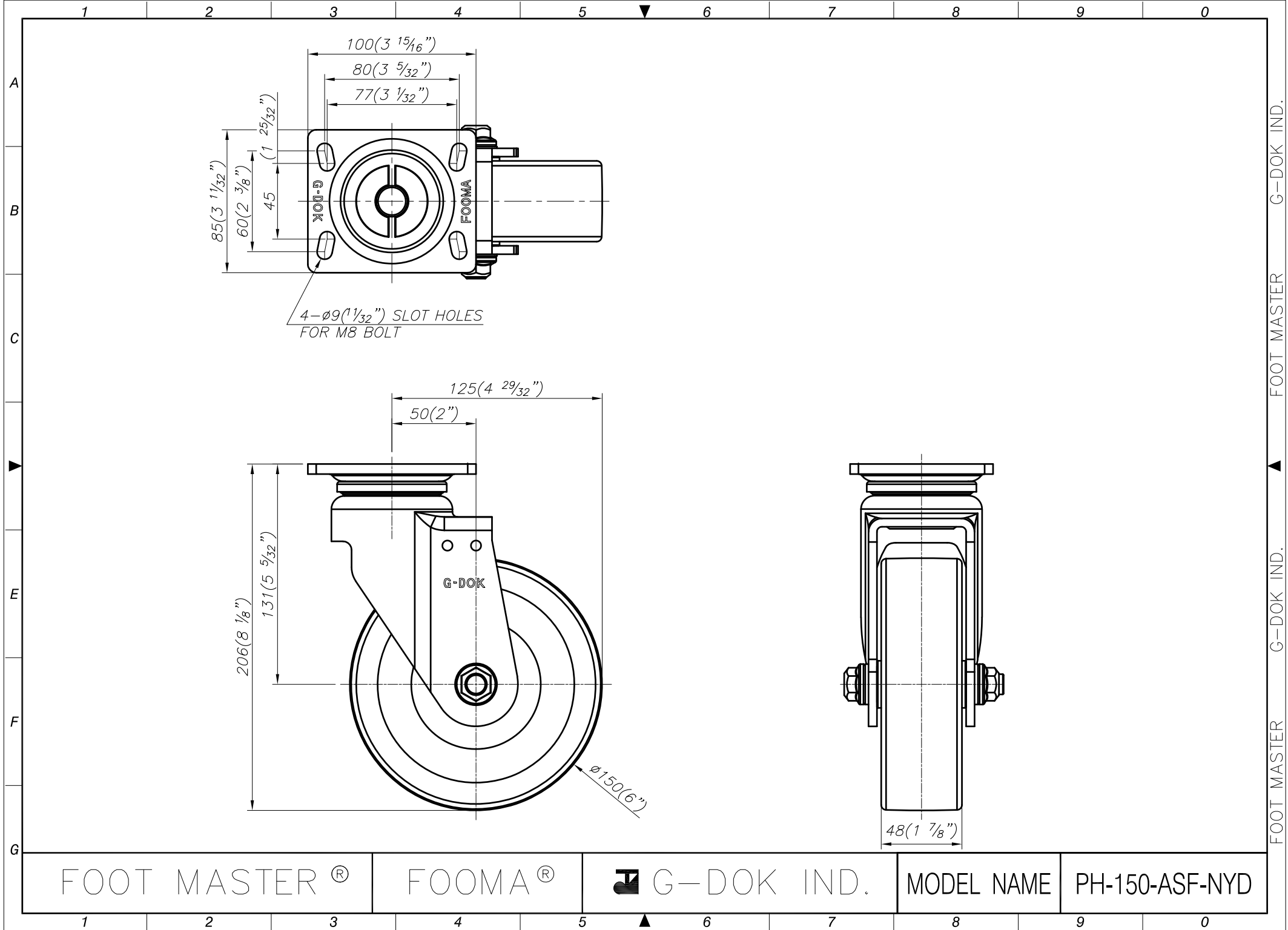
FOOMA<sup>®</sup>

 G-DOK IND.

MODEL NAME

PH-150-ARF-NYD

FOOT MASTER G-DOK IND.



FOOT MASTER<sup>®</sup>

FOOMA<sup>®</sup>

 G-DOK IND.

MODEL NAME

PH-150-ASF-NYD

FOOT MASTER G-DOK IND. FOOT MASTER G-DOK IND.