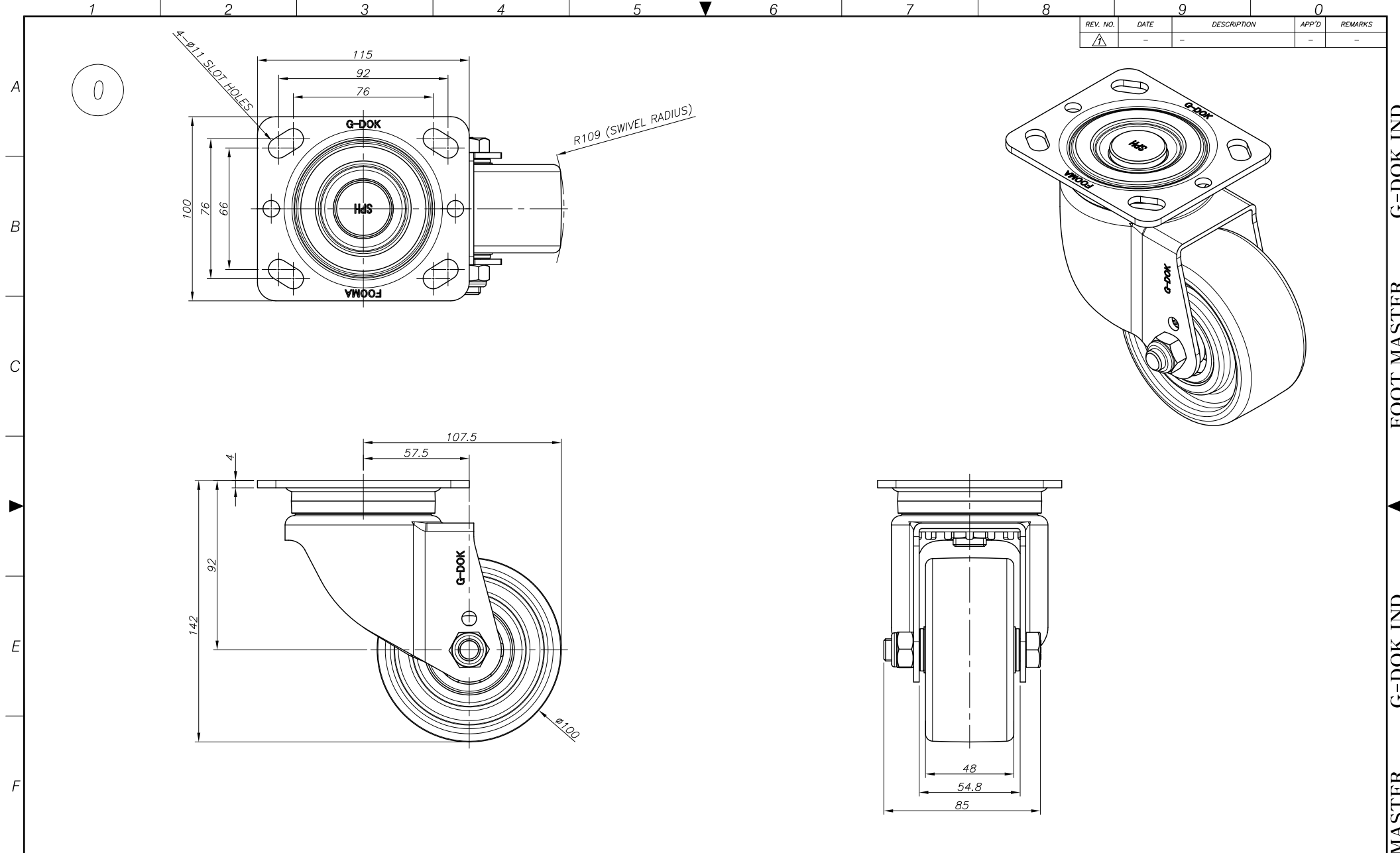


REV. NO.	DATE	DESCRIPTION	APP'D	REMARKS
1	-	-	-	-



NOTE
 1) MATERIAL : STAINLESS

PROCESS		MATERIAL		APPROVED BY		CHECKED BY		DRAWN BY	
---		---		O.C.K		J.Y.H		K.S.J	

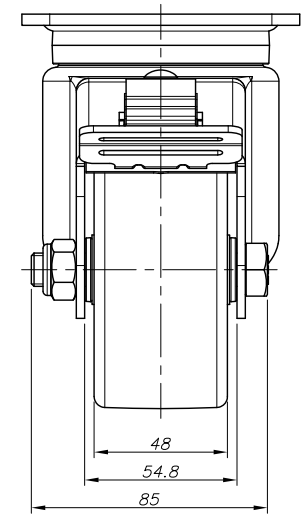
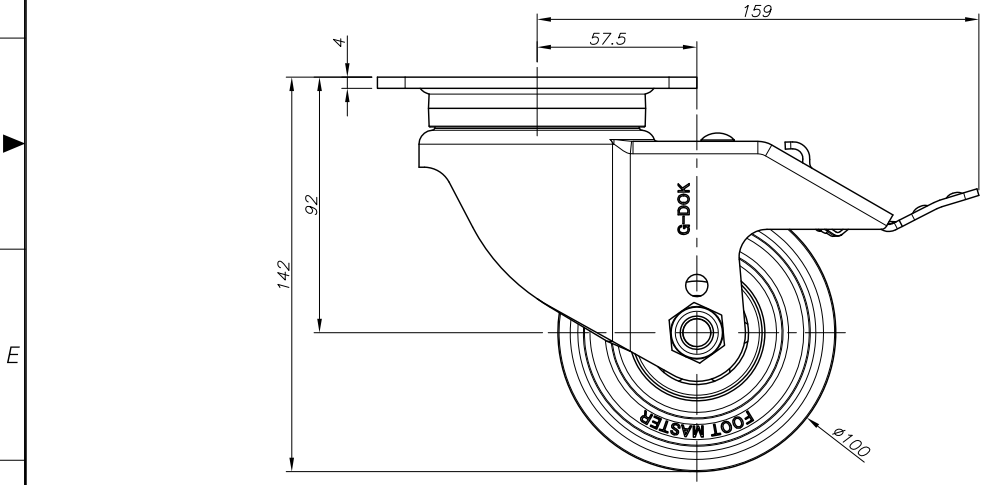
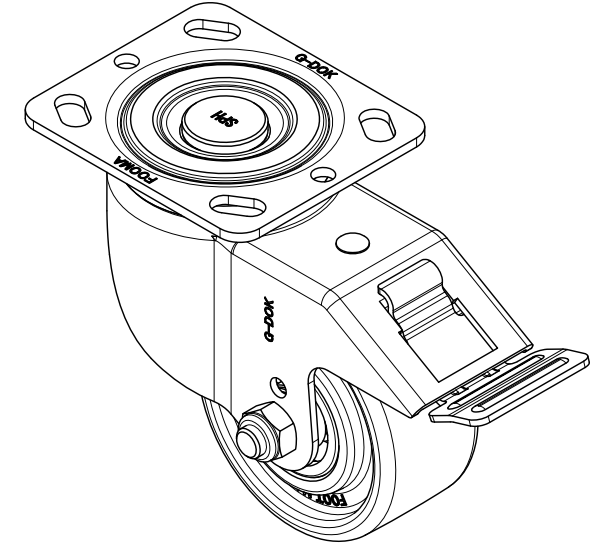
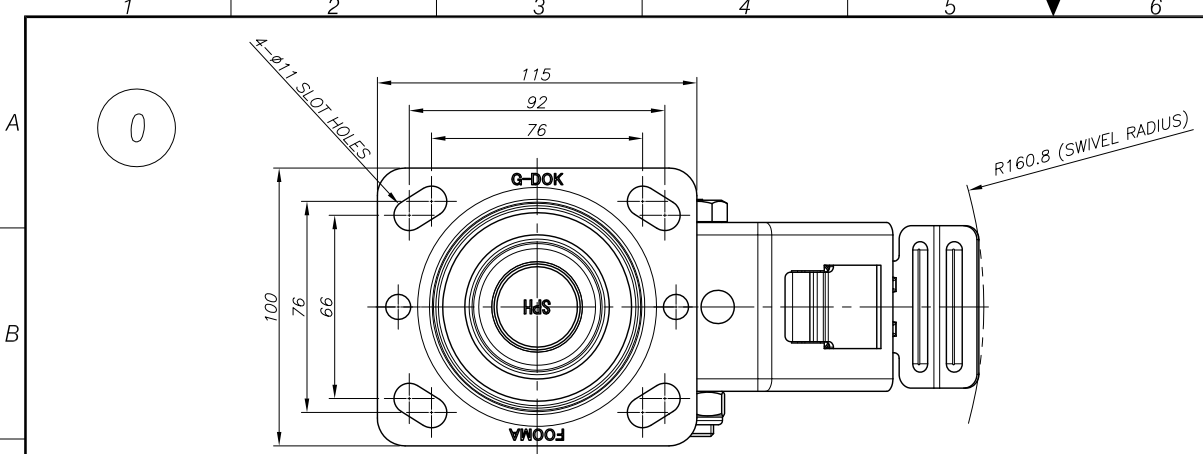
GENERAL TOLERANCE									
MACHINING WORKING		DIE CASTINGS		INJECTION MOLDING		PRESS WORKING		UNIT	
mm	mm	mm	mm	mm	mm	mm	mm	mm	mm
0.5 - 6	±0.05	±0.1	±0.2	±0.1	±0.1	±0.1	±0.1	±0.1	mm
6 - 30	±0.1	±0.2	±0.3	±0.2	±0.2	±0.2	±0.2	±0.2	mm
30 - 120	±0.15	±0.3	±0.4	±0.3	±0.3	±0.3	±0.3	±0.3	mm
120 - 400	±0.2	±0.4	±0.5	±0.4	±0.4	±0.4	±0.4	±0.4	mm
400 - 1000	±0.3	±0.6	±0.8	±0.5	±0.5	±0.5	±0.5	±0.5	mm

NO.	DESCRIPTION	UNIT	Q'TY	MATERIAL	WEIGHT	SPECIFICATION	REMARKS
---	---	---	---	---	---	---	---

FOOT MASTER®		FOOMA®		G-DOK IND.	
SERIES NAME	SPH-SERIES	DATE	2026.05.18	GSN NO.	4H113-111111
PRODUCT NAME	SPH-100-ASF-NYD	SCALE	1/2	DWG. NO.	4H113-111111
PART NAME	ASSEMBLY	WEIGHT	---	REVISION	A3
GENERAL TOLERANCE		B	ANGLE		⚠

FOOT MASTER G-DOK IND.

REV. NO.	DATE	DESCRIPTION	APP'D	REMARKS
△	-	-	-	-



NOTE
 1) MATERIAL : STAINLESS

PROCESS	GENERAL TOLERANCE															
MATERIAL	MACHINING WORKING				DIE CASTINGS				INJECTION MOLDING				PRESS WORKING			
	FINISH	PRECISION	SHAPE	SIZE	FINISH	PRECISION	SHAPE	SIZE	FINISH	PRECISION	SHAPE	SIZE	FINISH	PRECISION	SHAPE	SIZE
APPROVED BY	CASTER HEIGHT		WHEEL OUTER DIAMETER		WHEEL HUB WIDTH		WHEEL RADIUS		WHEEL HUB DIAMETER		WHEEL HUB LENGTH		WHEEL HUB WIDTH		WHEEL HUB DIAMETER	
	O.C.K		J.Y.H		K.S.J											
DRAWN BY	±0.1		±0.05		±0.1		±0.05		±0.1		±0.05		±0.1		±0.05	
	±0.1		±0.05		±0.1		±0.05		±0.1		±0.05		±0.1		±0.05	
CHECKED BY	±0.1		±0.05		±0.1		±0.05		±0.1		±0.05		±0.1		±0.05	
	±0.1		±0.05		±0.1		±0.05		±0.1		±0.05		±0.1		±0.05	
DATE	±0.1		±0.05		±0.1		±0.05		±0.1		±0.05		±0.1		±0.05	
	±0.1		±0.05		±0.1		±0.05		±0.1		±0.05		±0.1		±0.05	

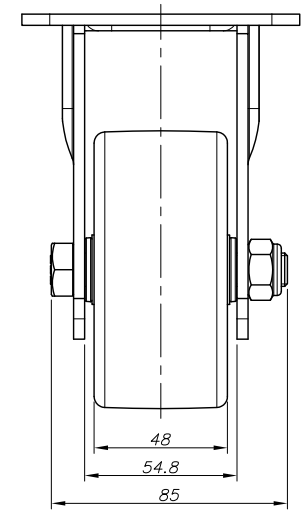
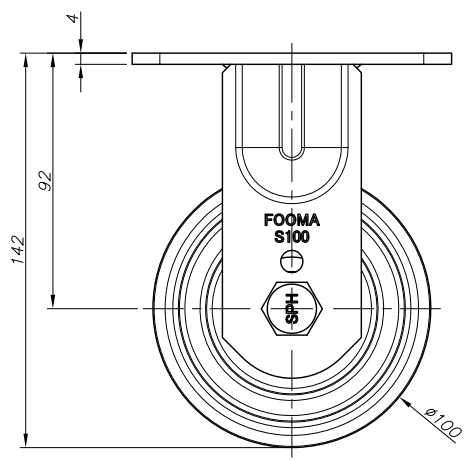
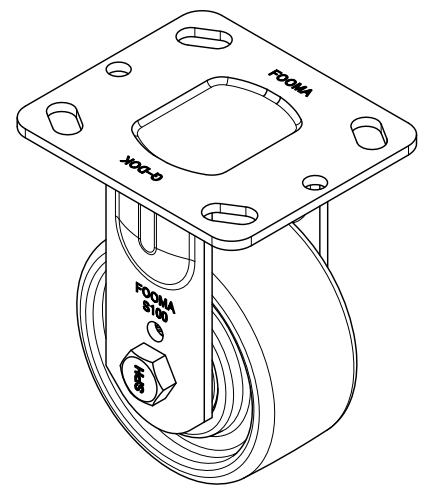
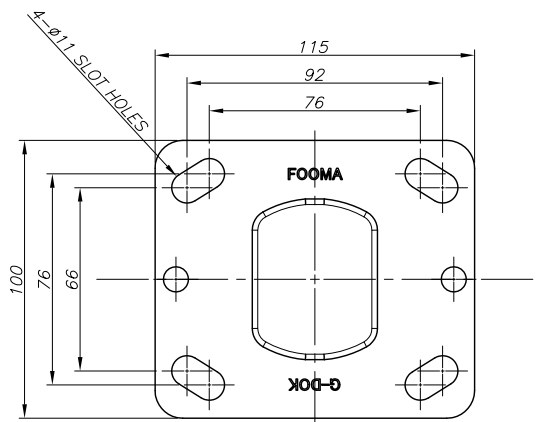
NO.	DESCRIPTION	UNIT	Q'TY	MATERIAL	WEIGHT	SPECIFICATION	REMARKS
---	---	---	---	---	---	---	---

FOOT MASTER®		FOOMA®		G-DOK IND.	
SERIES NAME	SPH-SERIES	DATE	2026.05.18	GSN NO.	4H133-111111
PRODUCT NAME	SPH-100-BSF-NYD	SCALE	1/2	DWG. NO.	4H133-111111
PART NAME	ASSEMBLY	WEIGHT	---	REVISION	SIZE A3
GENERAL TOLERANCE		B	ANGLE		△

FOOT MASTER G-DOK IND.

REV. NO.	DATE	DESCRIPTION	APP'D	REMARKS
△	-	-	-	-

0



NOTE
 1) MATERIAL : STAINLESS

PROCESS	GENERAL TOLERANCE															
MATERIAL	MACHINING WORKING				DIE CASTING				INJECTION MOLDING				PRESS WORKING			
	ANG2	PRECISION	GRADE	UNIT	ANG2	PRECISION	GRADE	UNIT	ANG2	PRECISION	GRADE	UNIT	ANG2	PRECISION	GRADE	UNIT
	0.5 - 6	±0.05	±0.1	mm	0.5 - 6	±0.1	±0.2	mm	0.5 - 6	±0.1	±0.2	mm	0.5 - 6	±0.1	±0.2	mm
	6 - 30	±0.1	±0.2	mm	6 - 30	±0.2	±0.3	mm	6 - 30	±0.2	±0.3	mm	6 - 30	±0.2	±0.3	mm
	30 - 120	±0.15	±0.3	mm	30 - 120	±0.3	±0.4	mm	30 - 120	±0.3	±0.4	mm	30 - 120	±0.3	±0.4	mm
	120 - 400	±0.2	±0.5	mm	120 - 400	±0.4	±0.6	mm	120 - 400	±0.4	±0.6	mm	120 - 400	±0.4	±0.6	mm
	400 - 1000	±0.3	±0.8	mm	400 - 1000	±0.5	±1.0	mm	400 - 1000	±0.5	±1.0	mm	400 - 1000	±0.5	±1.0	mm

APPROVED BY	CHECKED BY	DRAWN BY
O.C.K	J.Y.H	K.S.J

PRODUCT GENERAL TOLERANCE			
CASTER HEIGHT	WHEEL OUTER DIAMETER	WHEEL HUB WIDTH	
6 - 30	±0.1	±0.2	mm
30 - 120	±0.15	±0.3	mm
120 - 400	±0.2	±0.5	mm
400 - 1000	±0.3	±0.8	mm

NO.	DESCRIPTION	UNIT	Q'TY	MATERIAL	WEIGHT	SPECIFICATION	REMARKS
---	---	---	---	---	---	---	---

FOOT MASTER®		FOOMA®		G-DOK IND.	
SERIES NAME	SPH-SERIES	DATE	2026.05.18	GSN NO.	4H123-111111
PRODUCT NAME	SPH-100-ARF-NYD	SCALE	1/2	DWG. NO.	4H123-111111
PART NAME	ASSEMBLY	WEIGHT	--	REVISION	SIZE A3
GENERAL TOLERANCE		B	ANGLE		⊕

FOOT MASTER G-DOK IND.