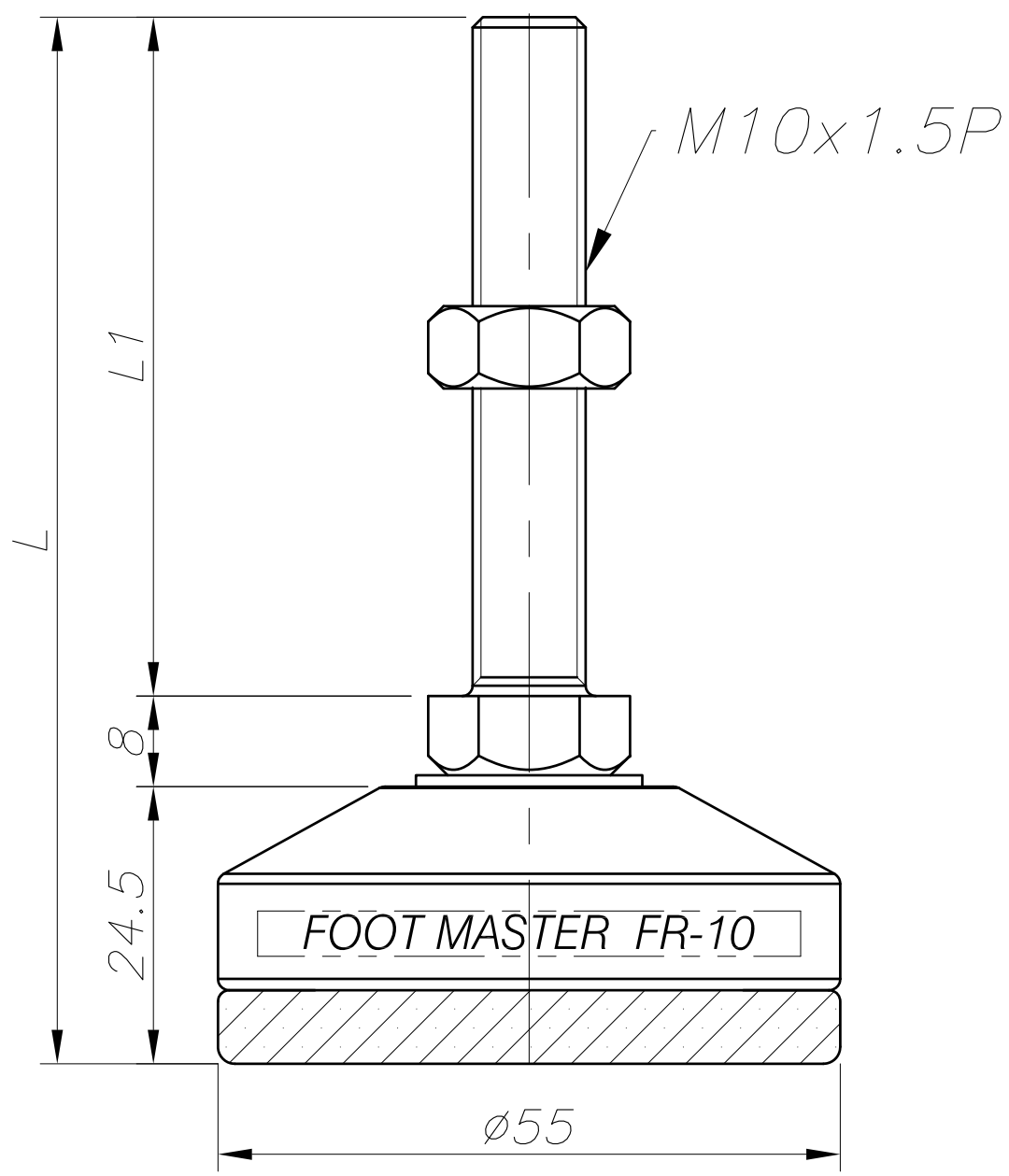


1  
2  
3  
4  
5  
6  
7  
8  
9  
0

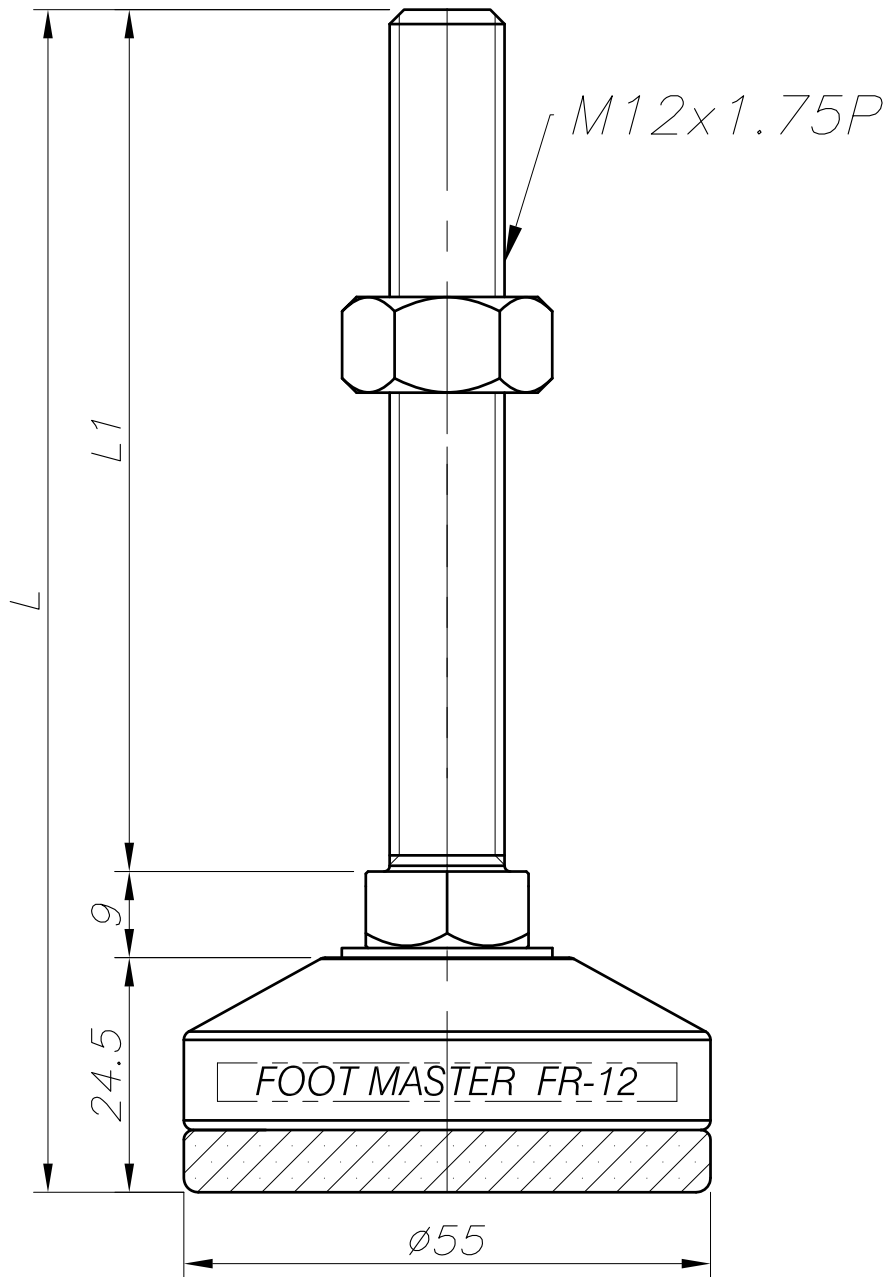
1  
2  
3  
4  
5  
6  
7  
8  
9  
0



FOOT MASTER®	FOOMA®	G-DOK IND.	MODEL NAME	FR-10
A	B	C	F	G

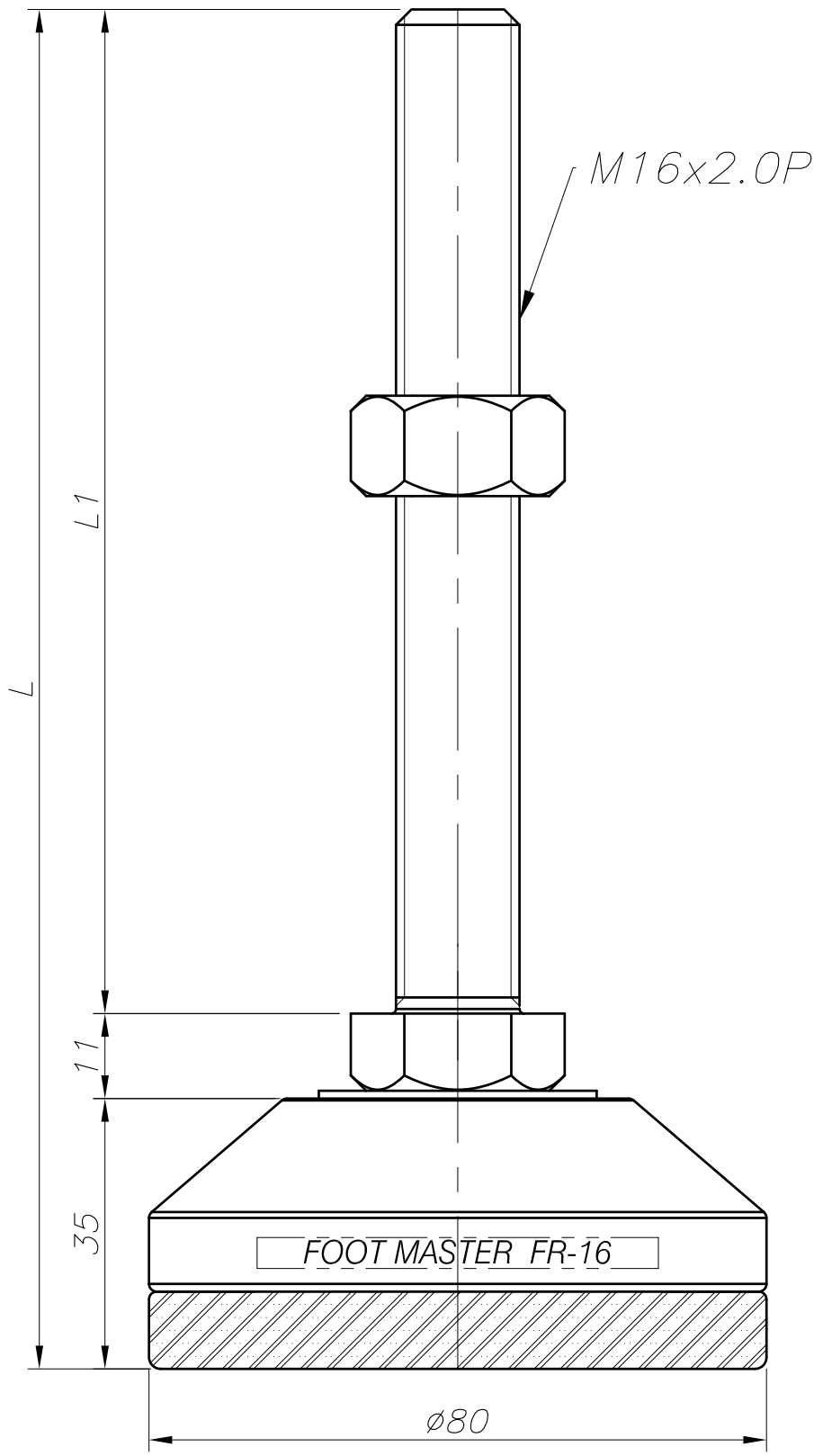
1  
2  
3  
4  
5  
6  
7  
8  
9  
0

1  
2  
3  
4  
5  
6  
7  
8  
9  
0



1  
2  
3  
4  
5  
6  
7  
8  
9  
0

1  
2  
3  
4  
5  
6  
7  
8  
9  
0



FOOT MASTER®	FOOMA®	G-DOK IND.	MODEL NAME	FR-16
A	B	C	F	G

A

B

C

▲

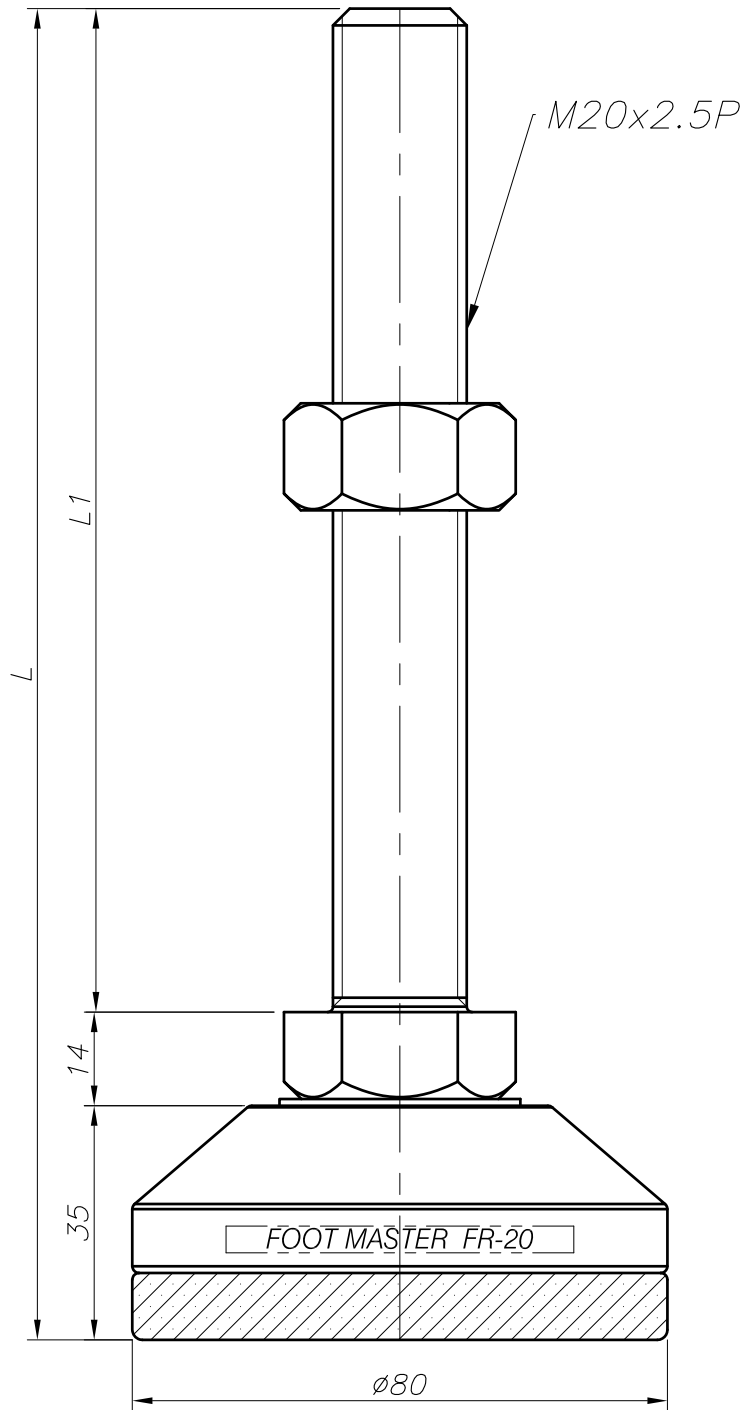
E

F

G

1  
2  
3  
4  
5  
6  
7  
8  
9  
0

1  
2  
3  
4  
5  
6  
7  
8  
9  
0



1  
2  
3  
4  
5  
6  
7  
8  
9  
0

1  
2  
3  
4  
5  
6  
7  
8  
9  
0

