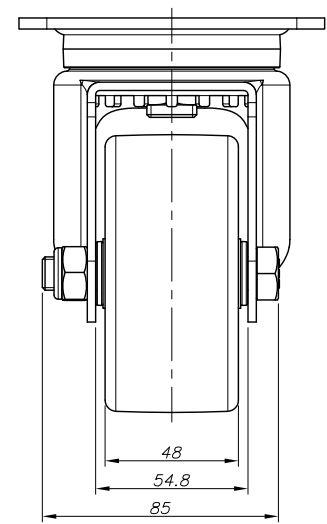
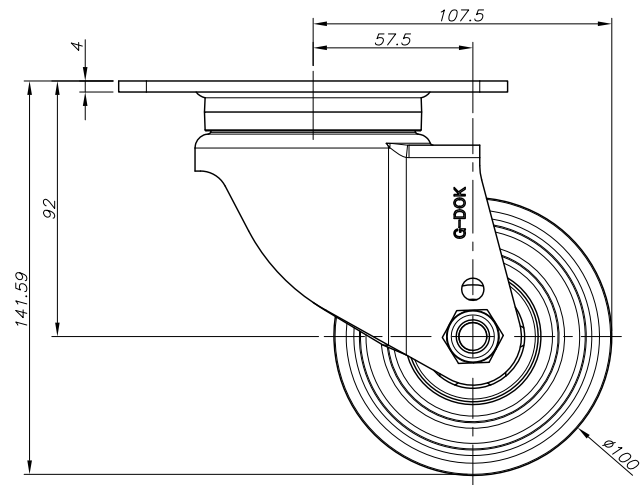
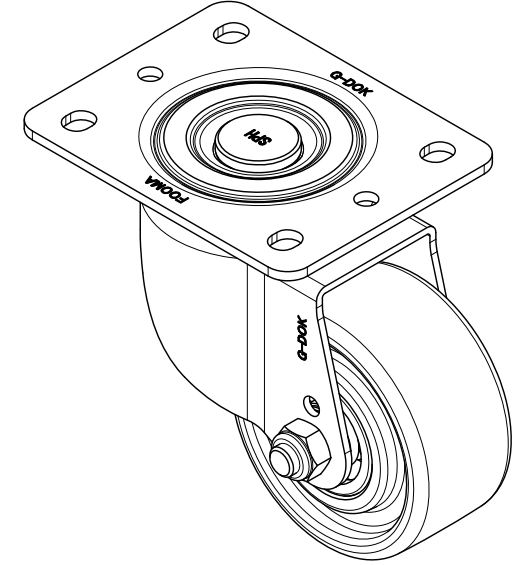
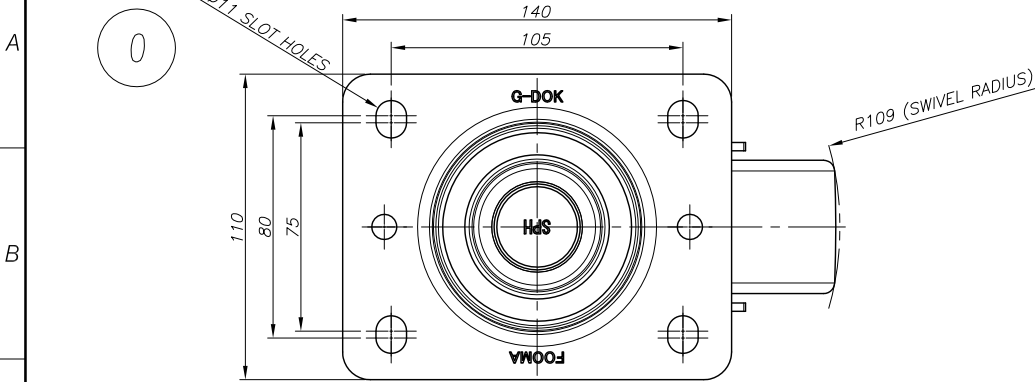


REV. NO.	DATE	DESCRIPTION	APP'D	REMARKS
-	-	-	-	-



NOTE
 1) MATERIAL : STAINLESS

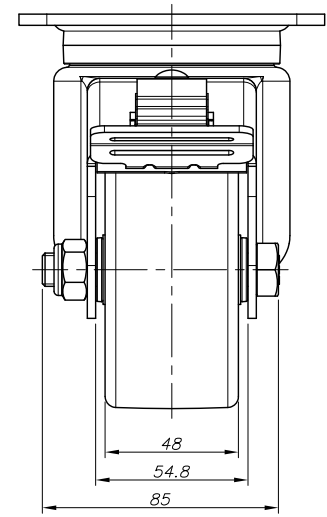
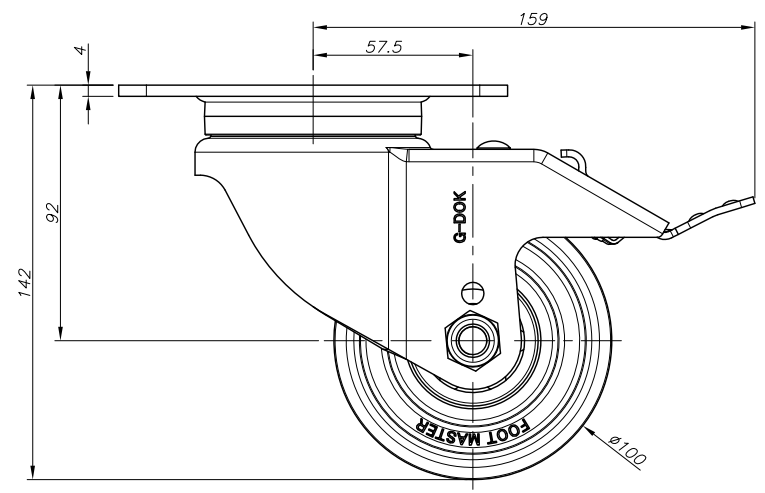
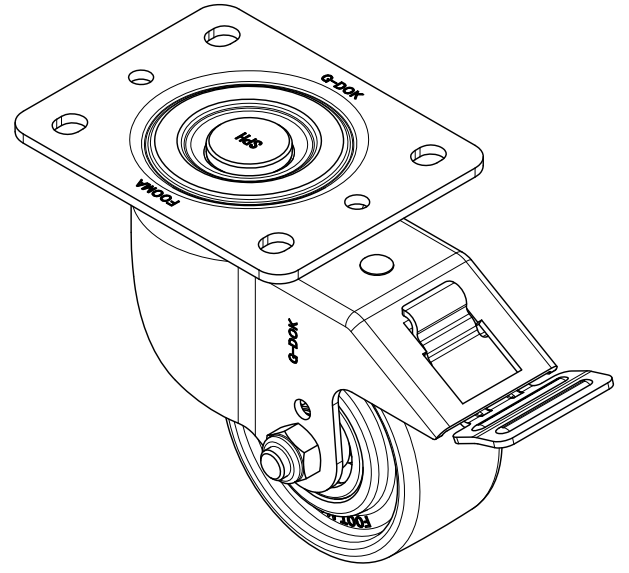
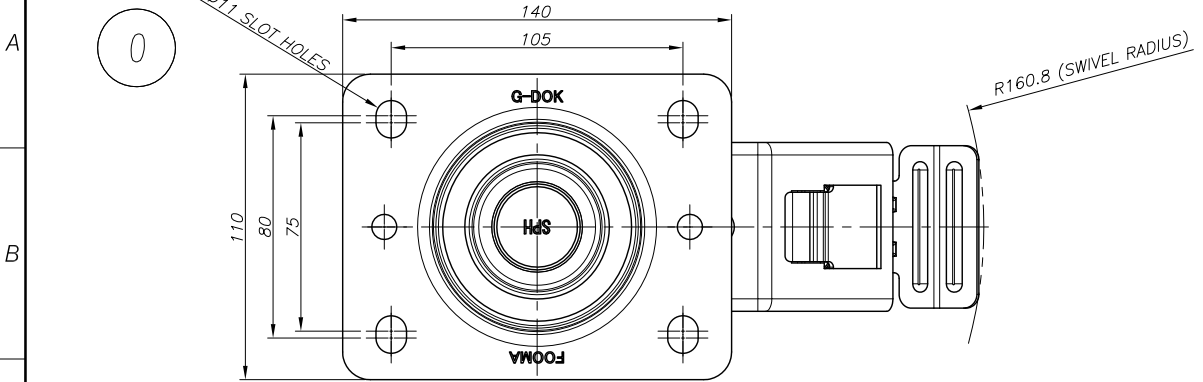
PROCESS		MATERIAL		APPROVED BY		CHECKED BY		DRAWN BY	
---		---		O.C.K		J.Y.H		K.S.J	

GENERAL TOLERANCE									
MACHINING WORKING		DIE CASTINGS		INJECTION MOLDING		PRESS WORKING		UNIT	
mm	mm	mm	mm	mm	mm	mm	mm	mm	mm
0.5 - 6	±0.15	±0.1	±0.2	±0.2	±0.15	±0.1	±0.1	±0.1	mm
6 - 30	±0.1	±0.2	±0.3	±0.2	±0.15	±0.1	±0.1	mm	
30 - 120	±0.15	±0.2	±0.3	±0.2	±0.15	±0.1	±0.1	mm	
120 - 400	±0.2	±0.3	±0.4	±0.3	±0.2	±0.15	±0.1	mm	
400 - 1000	±0.3	±0.4	±0.5	±0.4	±0.25	±0.2	±0.15	mm	

SERIES NAME		DATE		GSN NO.	
SPH-SERIES		2026.05.18		4H113-211111	
PRODUCT NAME		SCALE		DWG. NO.	
SPH-100-ASF-NYD-PEU		1/2		4H113-211111	
PART NAME		WEIGHT		REVISION	
ASSEMBLY		---		SIZE A3	
GENERAL TOLERANCE		ANGLE		ANGLE	
B					

FOOT MASTER G-DOK IND.

REV. NO.	DATE	DESCRIPTION	APP'D	REMARKS
△	-	-	-	-



NOTE
 1) MATERIAL : STAINLESS

PROCESS	GENERAL TOLERANCE															
MATERIAL	MACHINING WORKING				DIE CASTINGS				INJECTION MOLDING				PRESS WORKING			
	ANG2	PRECISION	ANGLE	UNIT	ANG2	PRECISION	ANGLE	UNIT	ANG2	PRECISION	ANGLE	UNIT	ANG2	PRECISION	ANGLE	UNIT
	0.5 - 6	±0.05	±0.1	°	0.5	±0.1	±0.2	mm	0.5	±0.1	±0.2	mm	0.5	±0.1	±0.2	mm
	6 - 30	±0.1	±0.2	°	0.5	±0.1	±0.2	mm	0.5	±0.1	±0.2	mm	0.5	±0.1	±0.2	mm
	30 - 120	±0.15	±0.3	°	0.5	±0.1	±0.2	mm	0.5	±0.1	±0.2	mm	0.5	±0.1	±0.2	mm
	120 - 400	±0.2	±0.5	°	0.5	±0.1	±0.2	mm	0.5	±0.1	±0.2	mm	0.5	±0.1	±0.2	mm
	400 - 1000	±0.3	±0.8	°	0.5	±0.1	±0.2	mm	0.5	±0.1	±0.2	mm	0.5	±0.1	±0.2	mm

APPROVED BY	CHECKED BY	DRAWN BY
O.C.K	J.Y.H	K.S.J

PRODUCT GENERAL TOLERANCE		
CASTER HEIGHT	WHEEL OUTER DIAMETER	WHEEL HUB WIDTH
6 - 30	±0.1	±0.2
30 - 120	±0.15	±0.3
120 - 400	±0.2	±0.5
400 - 1000	±0.3	±0.8

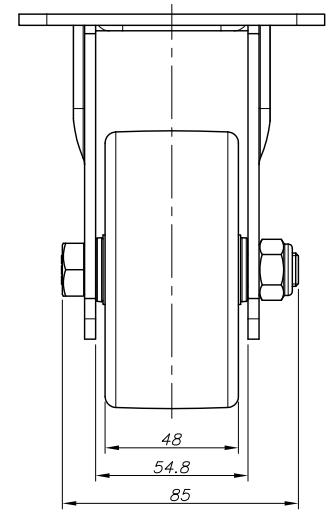
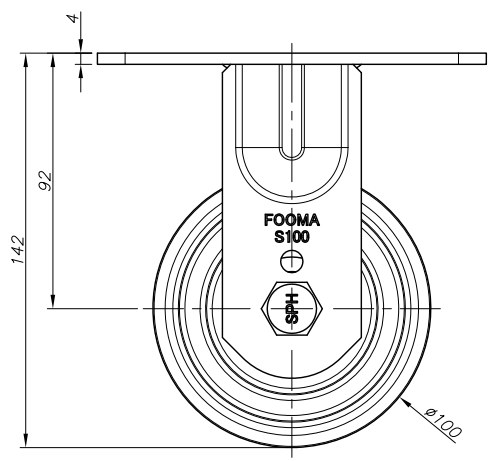
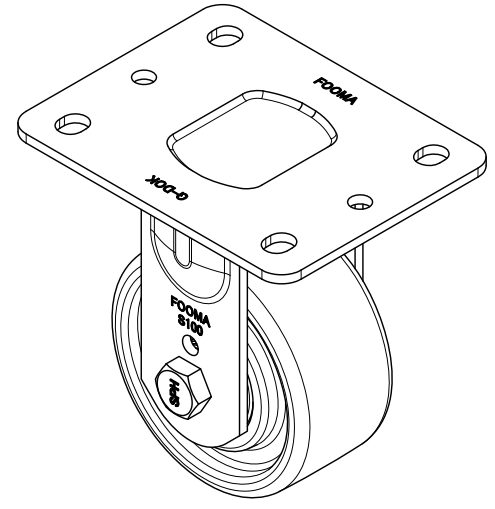
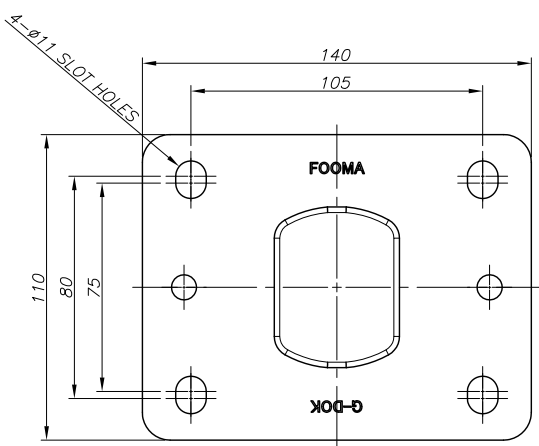
NO.	DESCRIPTION	UNIT	Q'TY	MATERIAL	WEIGHT	SPECIFICATION	REMARKS
---	---	-	-	-	-	-	-

FOOT MASTER®		FOOMA®		G-DOK IND.	
SERIES NAME	SPH-SERIES	DATE	2026.05.18	GSN NO.	4H133-211111
PRODUCT NAME	SPH-100-BSF-NYD-PEU	SCALE	1/2	DWG. NO.	4H133-211111
PART NAME	ASSEMBLY	WEIGHT	--	REVISION	SIZE A3
GENERAL TOLERANCE		B	ANGLE		⊕

FOOT MASTER G-DOK IND. FOOT MASTER G-DOK IND. FOOT MASTER G-DOK IND.

REV. NO.	DATE	DESCRIPTION	APP'D	REMARKS
△	-	-	-	-

0



NOTE
 1) MATERIAL : STAINLESS

PROCESS	GENERAL TOLERANCE															
MATERIAL	MACHINING WORKING				DIE CASTING				INJECTION MOLDING				PRESS WORKING			
	ANG2	PRECISION	GRADE	UNIT	ANG2	PRECISION	GRADE	UNIT	ANG2	PRECISION	GRADE	UNIT	ANG2	PRECISION	GRADE	UNIT
	0.5 - 6	±0.05	±0.1	mm	0.5 - 6	±0.1	±0.2	mm	0.5 - 6	±0.1	±0.2	mm	0.5 - 6	±0.1	±0.2	mm
	6 - 30	±0.1	±0.2	mm	6 - 30	±0.1	±0.2	mm	6 - 30	±0.1	±0.2	mm	6 - 30	±0.1	±0.2	mm
	30 - 120	±0.15	±0.3	mm	30 - 120	±0.15	±0.3	mm	30 - 120	±0.15	±0.3	mm	30 - 120	±0.15	±0.3	mm
	120 - 400	±0.2	±0.5	mm	120 - 400	±0.2	±0.5	mm	120 - 400	±0.2	±0.5	mm	120 - 400	±0.2	±0.5	mm
	400 - 1000	±0.3	±0.8	mm	400 - 1000	±0.3	±0.8	mm	400 - 1000	±0.3	±0.8	mm	400 - 1000	±0.3	±0.8	mm

APPROVED BY	CHECKED BY	DRAWN BY
O.C.K	J.Y.H	K.S.J

PRODUCT GENERAL TOLERANCE		
CASTER HEIGHT	WHEEL OUTER DIAMETER	WHEEL HUB WIDTH
6 - 30	±0.1	±0.2
30 - 120	±0.15	±0.3
120 - 400	±0.2	±0.5
400 - 1000	±0.3	±0.8

NO.	DESCRIPTION	UNIT	Q'TY	MATERIAL	WEIGHT	SPECIFICATION	REMARKS
--	--	-	-	-	-	-	-

FOOT MASTER®		FOOMA®		G-DOK IND.	
SERIES NAME	SPH-SERIES	DATE	2026.05.18	GSN NO.	4H123-211111
PRODUCT NAME	SPH-100-ARF-NYD-PEU	SCALE	1/2	DWG. NO.	4H123-211111
PART NAME	ASSEMBLY	WEIGHT	--	REVISION	SIZE A3
GENERAL TOLERANCE		B	ANGLE		⊕

FOOT MASTER G-DOK IND.