

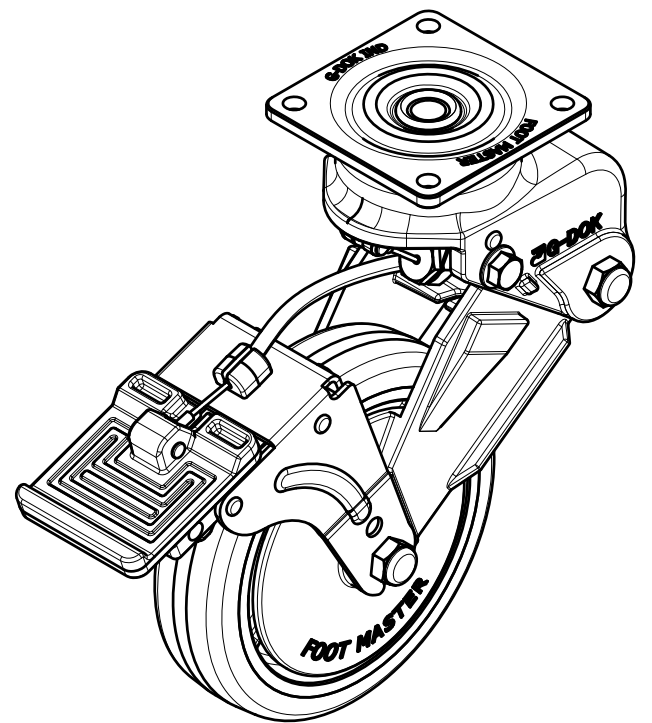
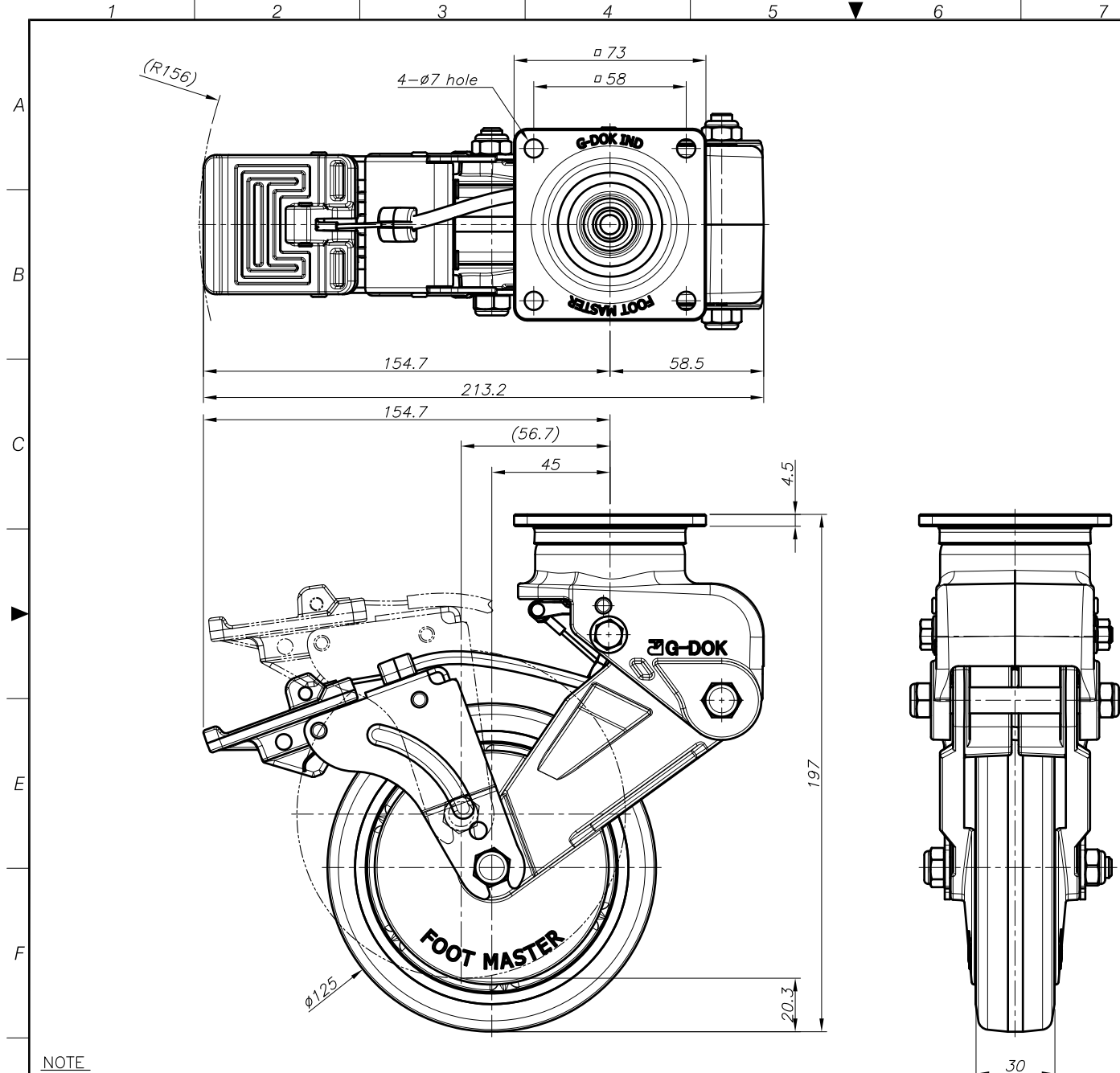
**NOTE**  
 No1) LOAD CAPACITY : 100Kg/pce  
 No2) SURFACE TREATMENTS : POWDER COATING & ZINC PLATED

PROCESS		MATERIAL		GENERAL TOLERANCE													
---		---		MACHINING WORKING				DIE CASTING				INJECTION MOLDING				PRESS WORKING	
				FINISH	PRECISION	GRADE	FINISH	PRECISION	GRADE	FINISH	PRECISION	GRADE	FINISH	PRECISION	GRADE	UNIT	mm
				0.5 - 6	±0.05	±0.1	F-3	±0.1	±0.1	F-3	±0.1	±0.1	F-3	±0.1	±0.1	mm	mm
				6 - 30	±0.1	±0.2	F-3	±0.1	±0.1	F-3	±0.1	±0.1	F-3	±0.1	±0.1	mm	mm
				30 - 120	±0.15	±0.3	F-3	±0.1	±0.1	F-3	±0.1	±0.1	F-3	±0.1	±0.1	mm	mm
				120 - 400	±0.2	±0.5	F-3	±0.1	±0.1	F-3	±0.1	±0.1	F-3	±0.1	±0.1	mm	mm
				400 - 1000	±0.3	±0.8	F-3	±0.1	±0.1	F-3	±0.1	±0.1	F-3	±0.1	±0.1	mm	mm

APPROVED BY	CHECKED BY	DRAWN BY	PRODUCT GENERAL TOLERANCE		
			CASTER HEIGHT	WHEEL OUTER DIAMETER	WHEEL HUB BODY
O.C.K	J.Y.H	J.Y.S	±0.05 (0.015mm)	±0.05 (0.015mm)	±0.05 (0.015mm)

NO.	DESCRIPTION	UNIT	Q'TY	MATERIAL	WEIGHT	SPECIFICATION	REMARKS		
FOOT MASTER®		FOOMA®		G-DOK IND.					
SERIES NAME	SHOCK ABSORBING CASTER					DATE	2022.02.22	GSN NO.	-
PRODUCT NAME	GDSB-125-ASF-LUD, GDSB-125-ARF-LUD					SCALE	--	DWG. NO.	-
PART NAME	ASSEMBLY					WEIGHT	--	REVISION	
GENERAL TOLERANCE						B	ANGLE	⊕	

FOOT MASTER G-DOK IND.

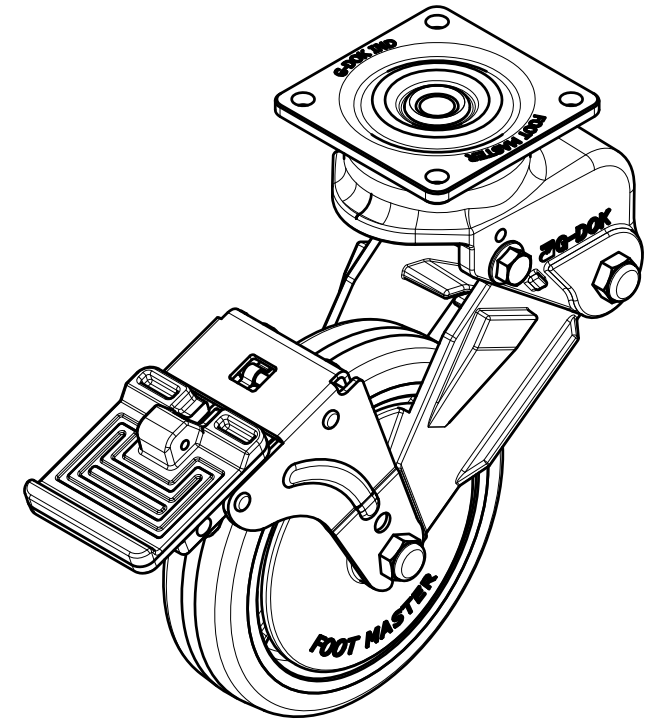
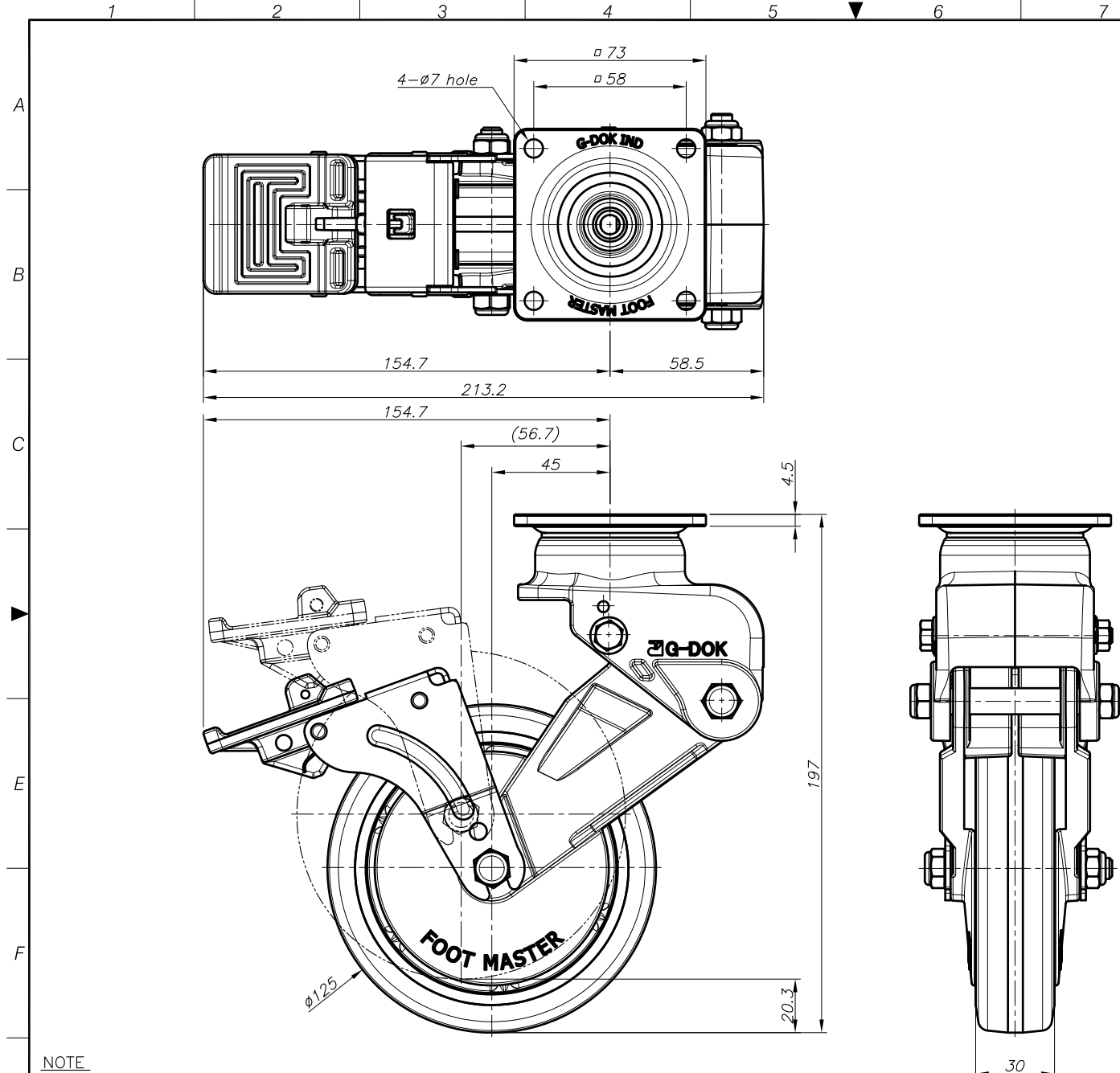


**NOTE**  
 No1) LOAD CAPACITY : 100Kg/pce  
 No2) SURFACE TREATMENTS : POWDER COATING & ZINC PLATED

PROCESS	---		<b>GENERAL TOLERANCE</b>																																																																																			
MATERIAL	---		<table border="1"> <tr> <th colspan="3">MACHINING WORKING</th> <th colspan="3">DIE CASTING</th> <th colspan="3">INJECTION MOLDING</th> <th colspan="3">PRESS WORKING</th> </tr> <tr> <th>SIZE</th> <th>PRECISION</th> <th>GRADE</th> <th>SIZE</th> <th>PRECISION</th> <th>GRADE</th> <th>SIZE</th> <th>PRECISION</th> <th>GRADE</th> <th>SIZE</th> <th>PRECISION</th> <th>GRADE</th> </tr> <tr> <td>0.5 - 6</td> <td>±0.05</td> <td>±0.1</td> <td>4-8</td> <td>±0.1</td> <td>±0.2</td> <td>8-15</td> <td>±0.1</td> <td>±0.2</td> <td>15-30</td> <td>±0.1</td> <td>±0.2</td> </tr> <tr> <td>6 - 30</td> <td>±0.1</td> <td>±0.2</td> <td>8-15</td> <td>±0.1</td> <td>±0.2</td> <td>15-30</td> <td>±0.1</td> <td>±0.2</td> <td>30-120</td> <td>±0.15</td> <td>±0.3</td> </tr> <tr> <td>30 - 120</td> <td>±0.15</td> <td>±0.3</td> <td>15-30</td> <td>±0.1</td> <td>±0.2</td> <td>30-120</td> <td>±0.15</td> <td>±0.3</td> <td>120-400</td> <td>±0.2</td> <td>±0.5</td> </tr> <tr> <td>120 - 400</td> <td>±0.2</td> <td>±0.5</td> <td>30-120</td> <td>±0.1</td> <td>±0.2</td> <td>400-1000</td> <td>±0.3</td> <td>±0.8</td> <td>1000-10000</td> <td>±0.5</td> <td>±1.0</td> </tr> </table>												MACHINING WORKING			DIE CASTING			INJECTION MOLDING			PRESS WORKING			SIZE	PRECISION	GRADE	SIZE	PRECISION	GRADE	SIZE	PRECISION	GRADE	SIZE	PRECISION	GRADE	0.5 - 6	±0.05	±0.1	4-8	±0.1	±0.2	8-15	±0.1	±0.2	15-30	±0.1	±0.2	6 - 30	±0.1	±0.2	8-15	±0.1	±0.2	15-30	±0.1	±0.2	30-120	±0.15	±0.3	30 - 120	±0.15	±0.3	15-30	±0.1	±0.2	30-120	±0.15	±0.3	120-400	±0.2	±0.5	120 - 400	±0.2	±0.5	30-120	±0.1	±0.2	400-1000	±0.3	±0.8	1000-10000	±0.5	±1.0
MACHINING WORKING			DIE CASTING			INJECTION MOLDING			PRESS WORKING																																																																													
SIZE	PRECISION	GRADE	SIZE	PRECISION	GRADE	SIZE	PRECISION	GRADE	SIZE	PRECISION	GRADE																																																																											
0.5 - 6	±0.05	±0.1	4-8	±0.1	±0.2	8-15	±0.1	±0.2	15-30	±0.1	±0.2																																																																											
6 - 30	±0.1	±0.2	8-15	±0.1	±0.2	15-30	±0.1	±0.2	30-120	±0.15	±0.3																																																																											
30 - 120	±0.15	±0.3	15-30	±0.1	±0.2	30-120	±0.15	±0.3	120-400	±0.2	±0.5																																																																											
120 - 400	±0.2	±0.5	30-120	±0.1	±0.2	400-1000	±0.3	±0.8	1000-10000	±0.5	±1.0																																																																											
APPROVED BY	CHECKED BY	DRAWN BY	<b>PRODUCT GENERAL TOLERANCE</b>																																																																																			
O.C.K	J.Y.H	J.Y.S	CASTER HEIGHT			WHEEL OUTER DIAMETER			WHEEL HUB BODY																																																																													
			PRECISION	GRADE	PRECISION	GRADE	PRECISION	GRADE																																																																														
			±0.05 (R0.05mm)	±0.1 (R0.1mm)	±0.1 (R0.1mm)	±0.1 (R0.1mm)	±0.1 (R0.1mm)	±0.1 (R0.1mm)																																																																														

NO.	DESCRIPTION	UNIT	Q'TY	MATERIAL	WEIGHT	SPECIFICATION	REMARKS
FOOT MASTER®		FOOMA®		G-DOK IND.			
SERIES NAME	SHOCK ABSORBING CASTER					DATE	2022.02.22
PRODUCT NAME	GDSB-125-BSF-LUD					SCALE	--
PART NAME	ASSEMBLY					WEIGHT	--
GENERAL TOLERANCE						B	ANGLE

FOOT MASTER G-DOK IND.



**NOTE**  
 No1) LOAD CAPACITY : 100Kg/pce  
 No2) SURFACE TREATMENTS : POWDER COATING & ZINC PLATED

PROCESS	---	
MATERIAL	---	
APPROVED BY	CHECKED BY	DRAWN BY
O.C.K	J.Y.H	J.Y.S

NO.	DESCRIPTION	UNIT	Q'TY	MATERIAL	WEIGHT	SPECIFICATION	REMARKS
FOOT MASTER®		FOOMA®		G-DOK IND.			
SERIES NAME	SHOCK ABSORBING CASTER		DATE	2022.02.22	GSN NO.	-	
PRODUCT NAME	GDSB-125-BRF-LUD		SCALE	--	DWG. NO.	-	
PART NAME	ASSEMBLY		WEIGHT	--	REVISION	SIZE	A3
GENERAL TOLERANCE			B	ANGLE			

FOOT MASTER G-DOK IND.