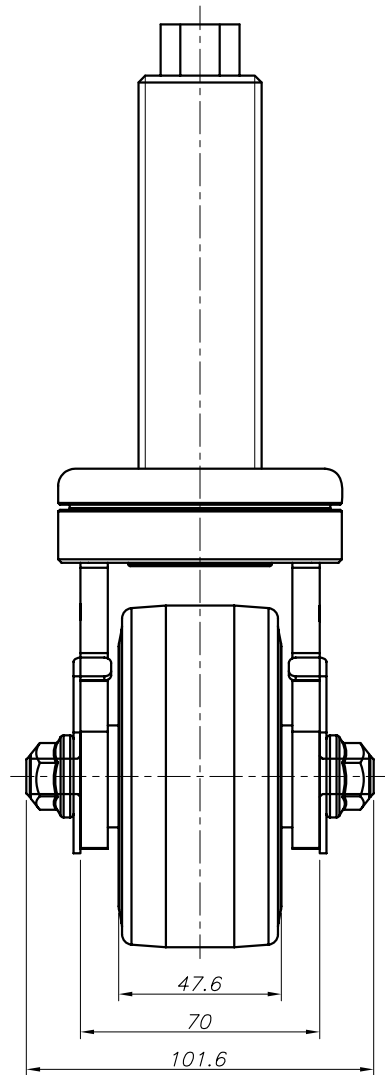
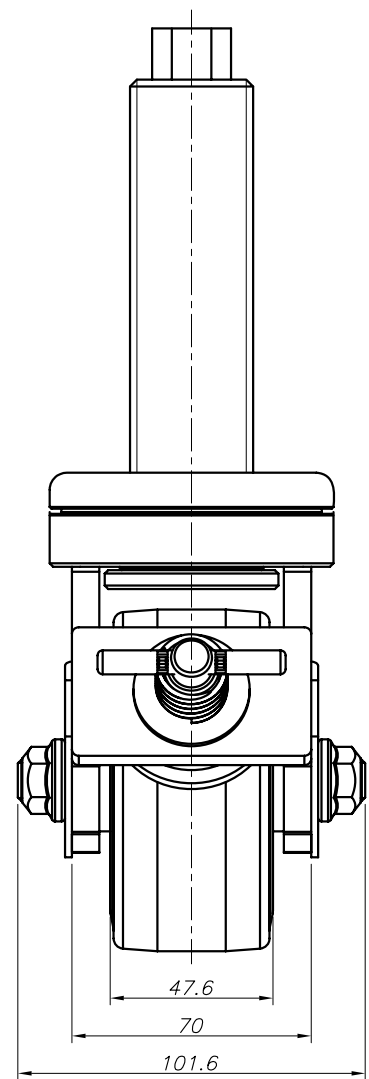
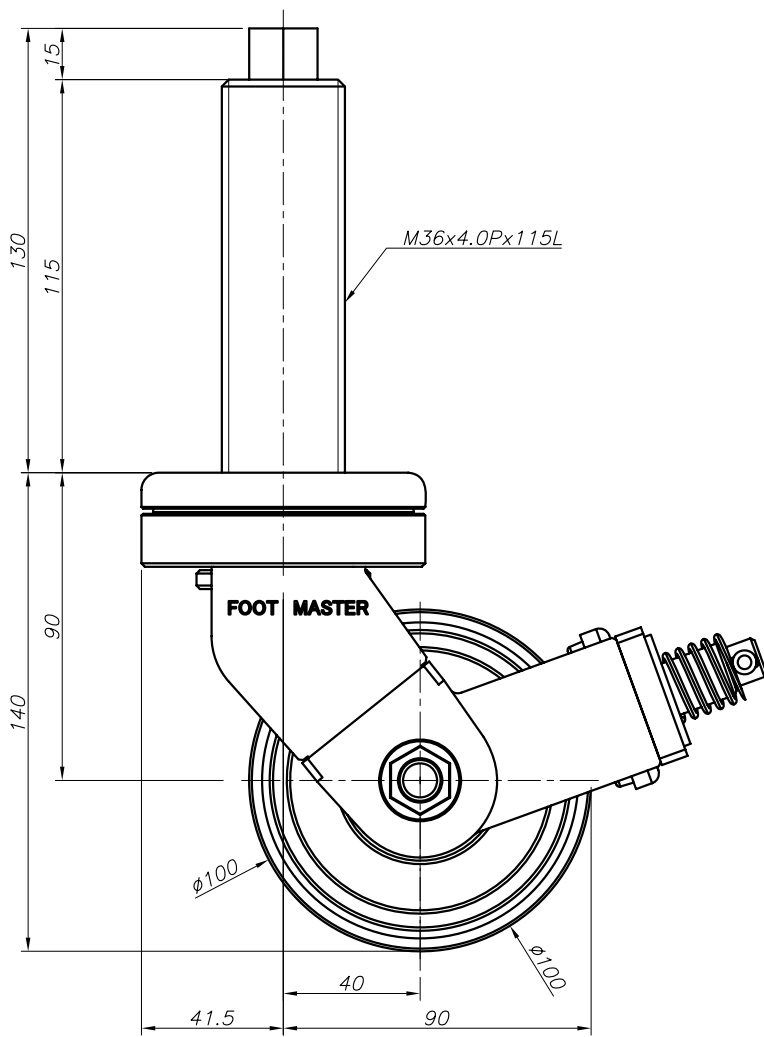
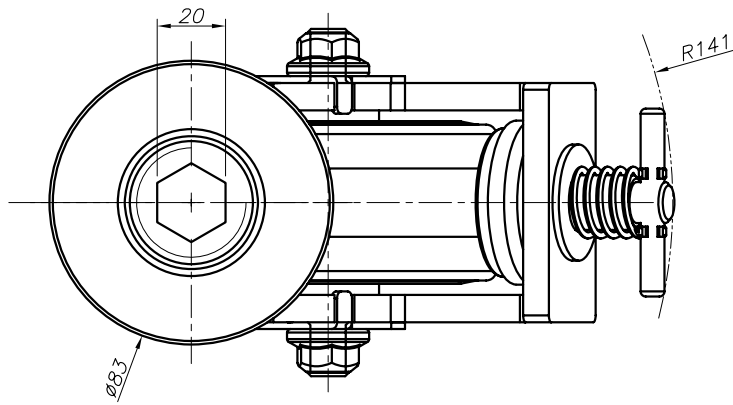
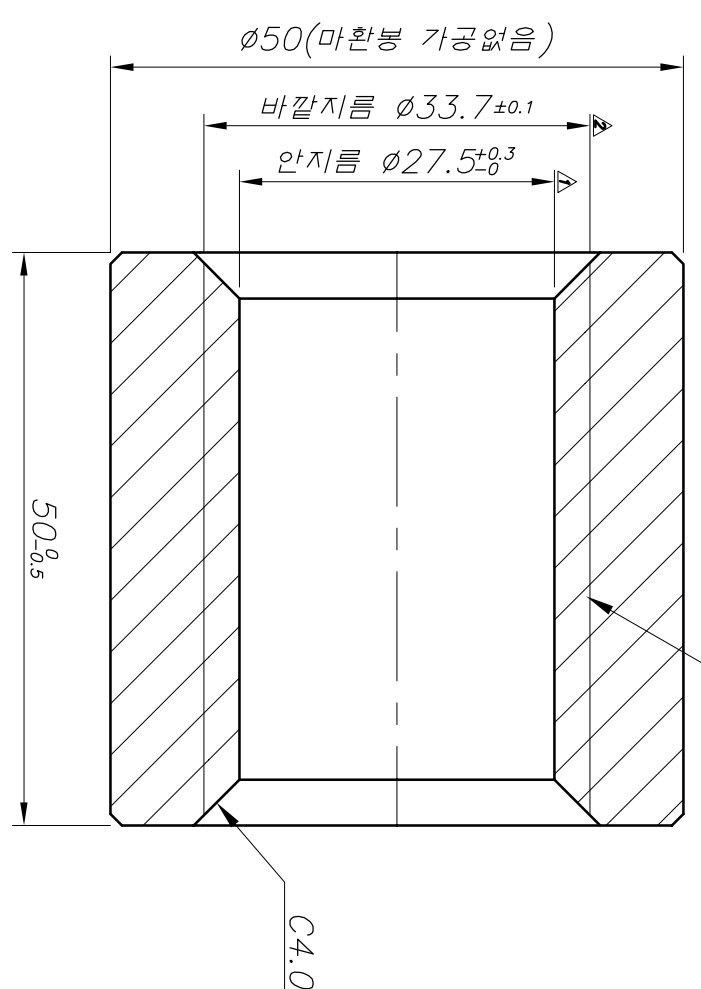
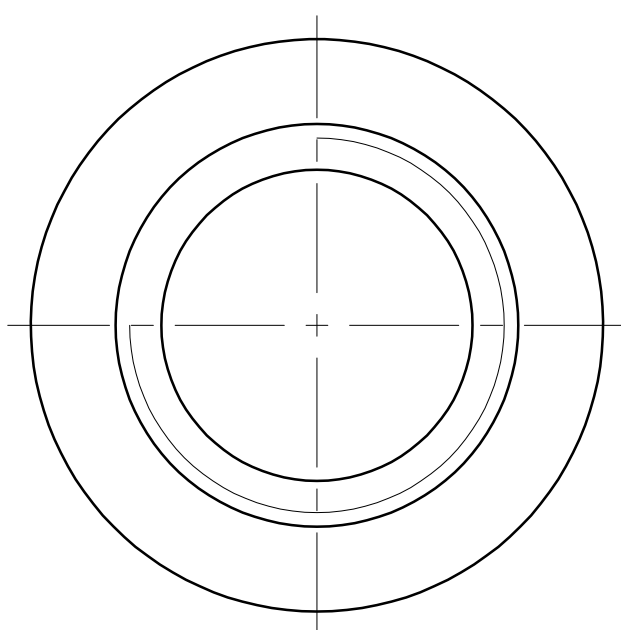
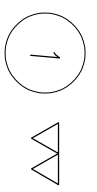


M36x4.0Px115L





REV. NO.	DATE	DESCRIPTION	APP'D.	REMARKS
1	21.10.06	초판 유력 검토	O.C.K	-
2	22.09.27	도판 유력 검토	O.C.K	-



NOTE

- 주1) 치밀도는 모따기 C1
- 주2) 소재 : SM45C $\phi 50(\text{마}) \times 53\text{L}$
- 주3) 표면처리 : 백색아연도금
- 주4) 설계 기준 규격 : TM32-4TREAD (6.35P) 29° 시더리콜 니사

PROCESS		APPROVED BY		CHECKED BY		DRAWN BY	
SM45C		O.C.K		J.Y.H		J.Y.S	

GENERAL TOLERANCE		APPROXIMATE DIMENSIONS		DIMENSIONS		DIMENSIONS		DIMENSIONS	
ISO	ASME	mm	inch	mm	inch	mm	inch	mm	inch
F	H	0.1	0.004	0.1	0.004	0.1	0.004	0.1	0.004

SERIES NAME		FOOT MASTER		FOOMMA		G-DOK IND.	
KT-SERIES	KT-SERIES	KT-SERIES	KT-SERIES	KT-SERIES	KT-SERIES	KT-SERIES	KT-SERIES
PRODUCT NAME	KT-00-ASS-HUD-PM32-115	PRODUCT NAME	KT-00-ASS-HUD-PM32-115	PRODUCT NAME	KT-00-ASS-HUD-PM32-115	PRODUCT NAME	KT-00-ASS-HUD-PM32-115
PART NAME	KT-00-NIJ-TM32-4THRD	PART NAME	KT-00-NIJ-TM32-4THRD	PART NAME	KT-00-NIJ-TM32-4THRD	PART NAME	KT-00-NIJ-TM32-4THRD

NO.	DESCRIPTION	UNIT	QTY	MATERIAL	WEIGHT	SPECIFICATION	REMARKS
1							