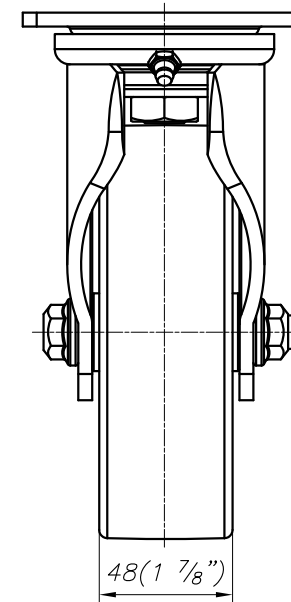
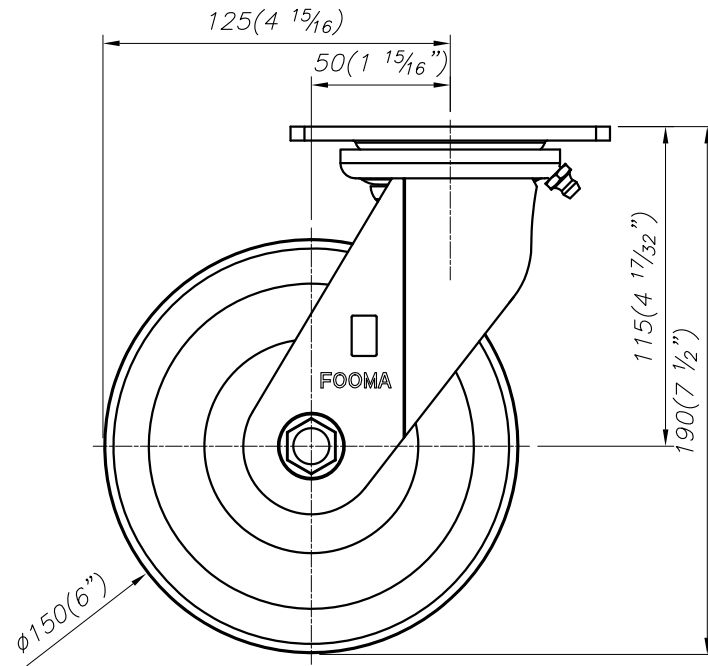


4- $\phi 11(7/16)$ SLOT HOLES
FOR M10 BOLT



FOOT MASTER[®]

FOOMA[®]

 G-DOK IND.

MODEL NAME SPM-150-ASF-MCD

FOOT MASTER G-DOK IND. FOOT MASTER G-DOK IND.