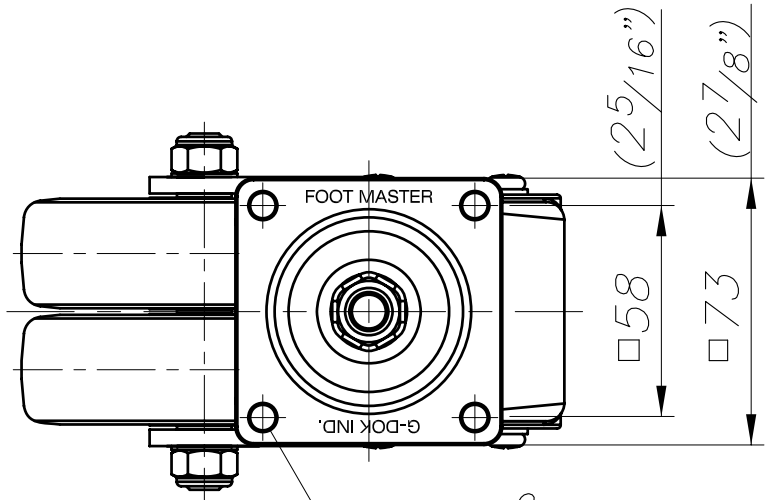
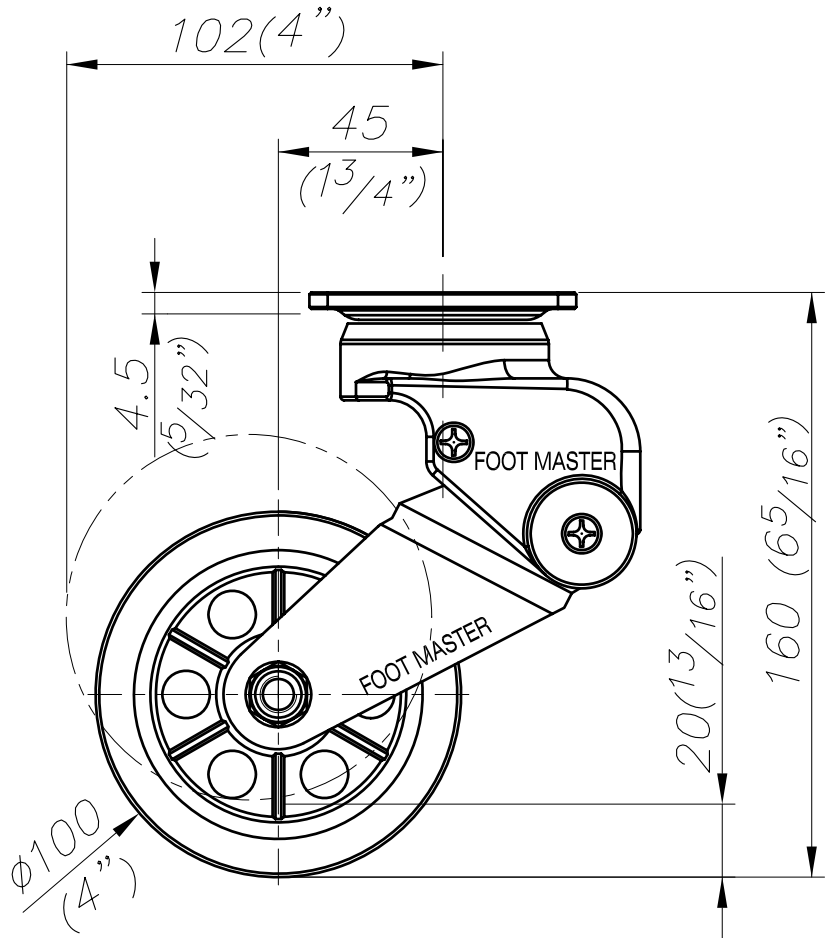


$(1\frac{3}{16})$ 30 30 $(1\frac{3}{16})$



4- $\phi 7\frac{9}{32}$ HOLES



$\phi 100$
(4")