

1 2 3 4 5 6 7 8 9 0

A

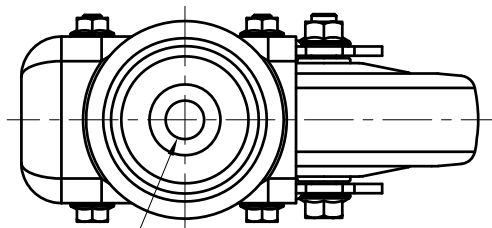
B

C

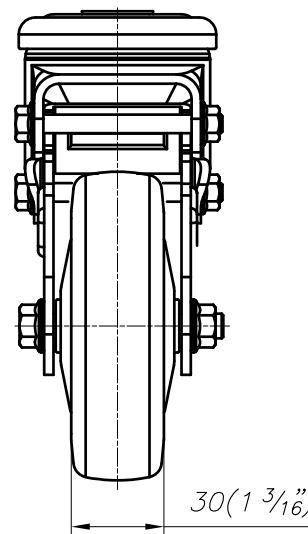
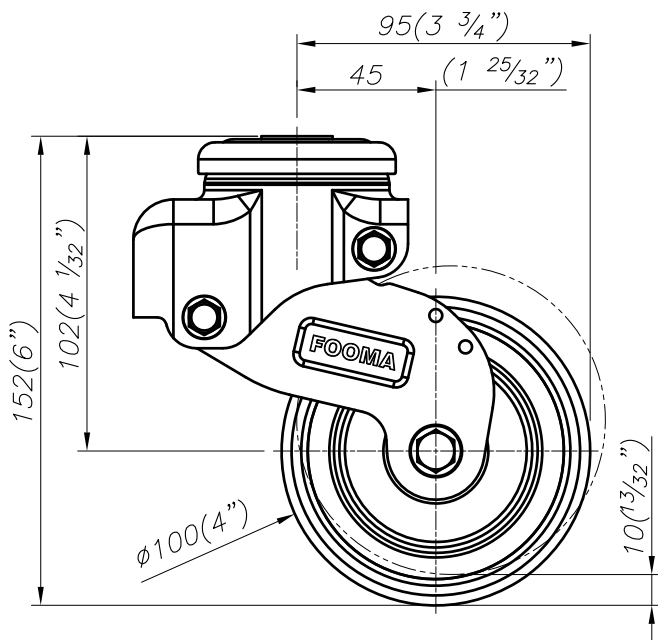
E

F

G



$\phi 12.5$ ($1\frac{5}{32}$ ") HOLES
FOR M12 BOLT



FOOT MASTER [®]

FOOMA [®]

 G-DOK IND.

MODEL NAME

G-100-ASS-HRS

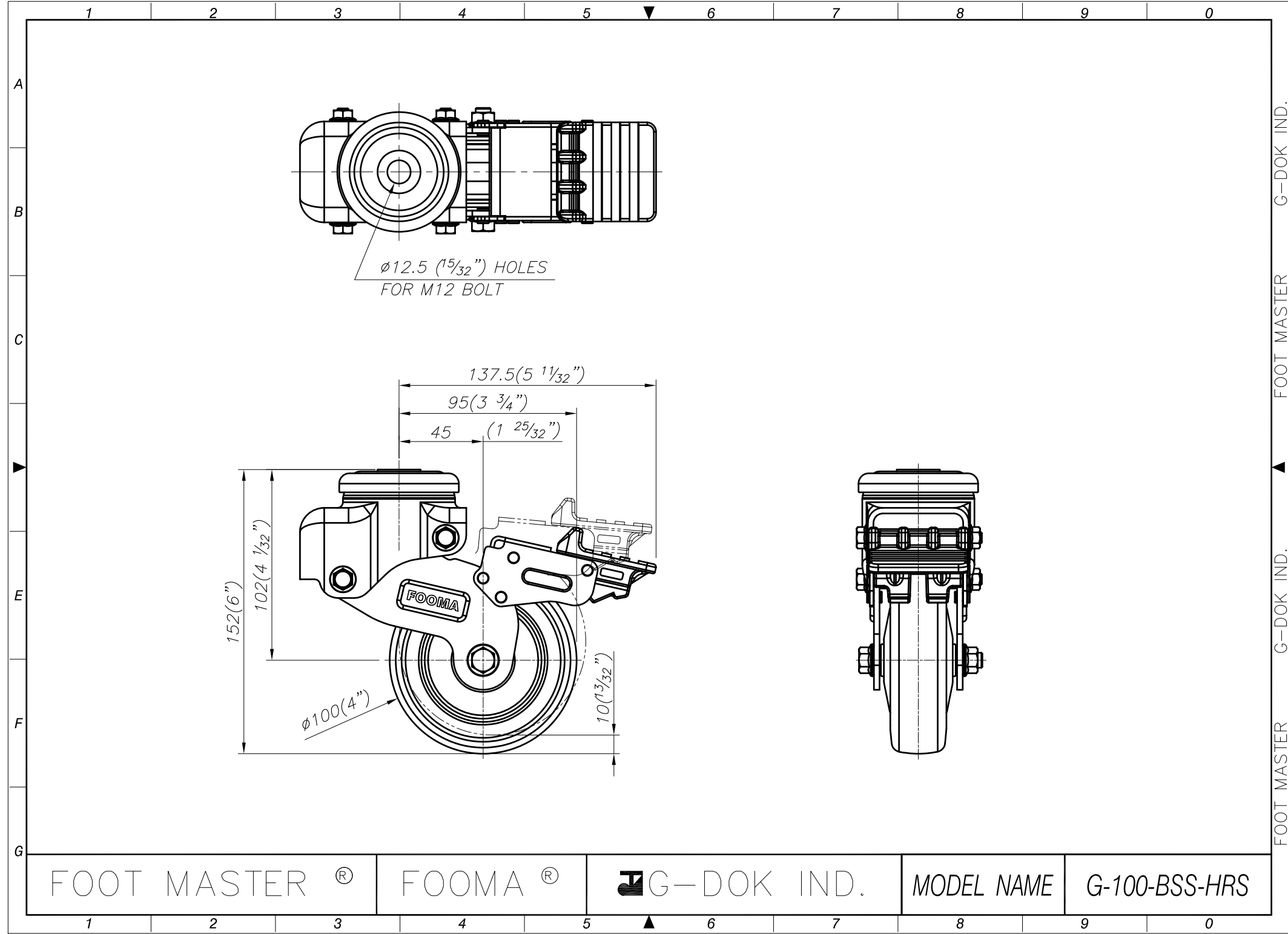
1 2 3 4 5 6 7 8 9 0

G-DOK IND.

FOOT MASTER

G-DOK IND.

FOOT MASTER



FOOT MASTER[®]

FOOMA[®]

G-DOK IND.

MODEL NAME

G-100-BSS-HRS

FOOT MASTER G-DOK IND. FOOT MASTER G-DOK IND.