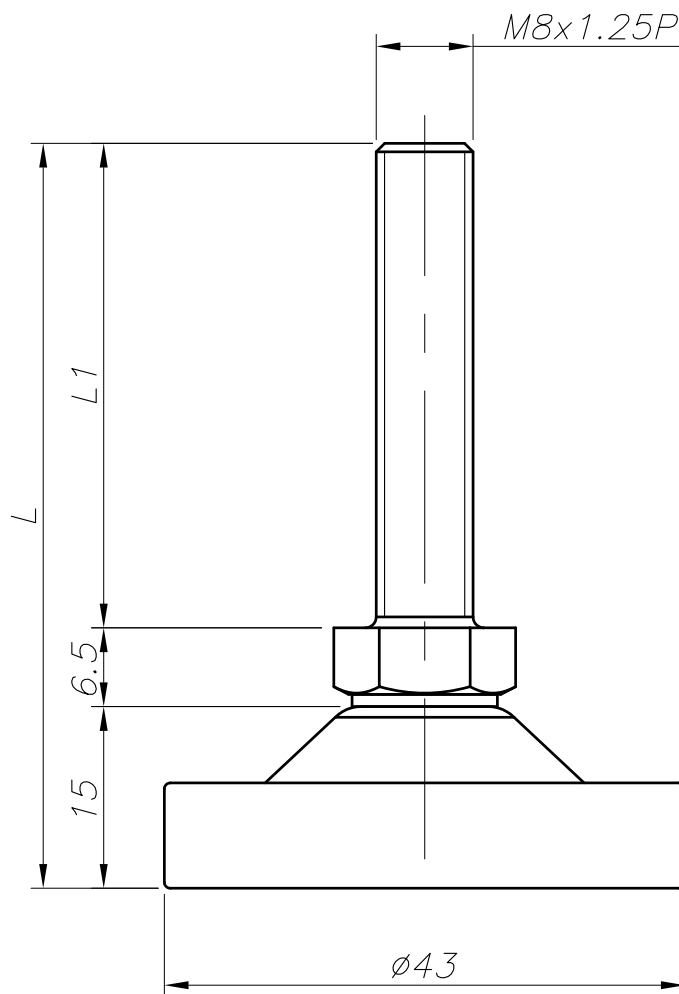
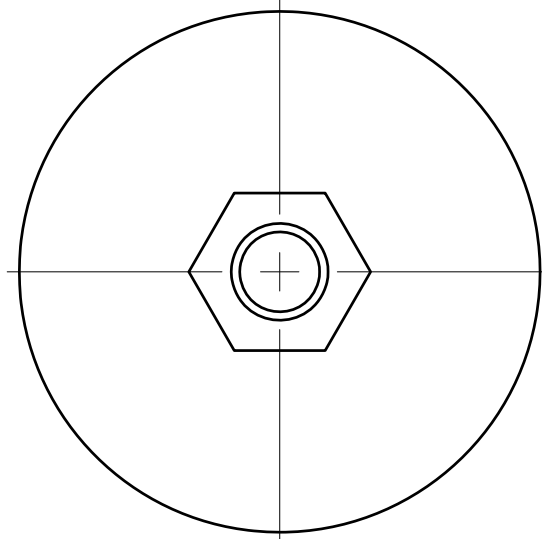


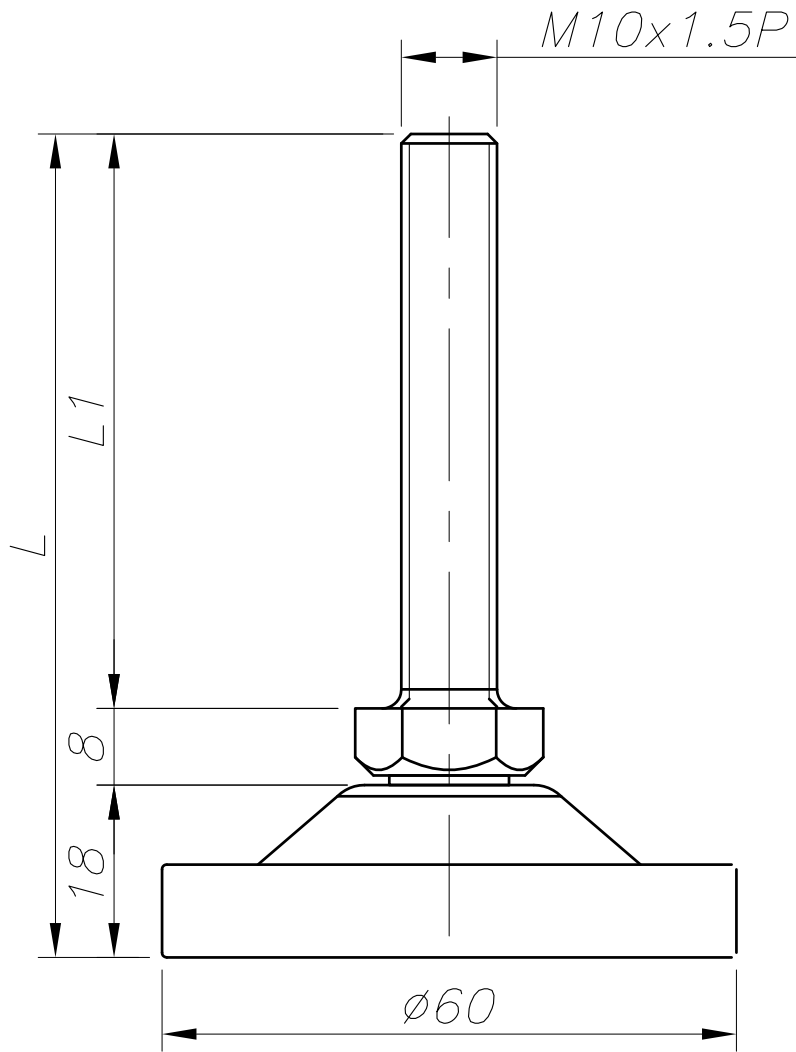
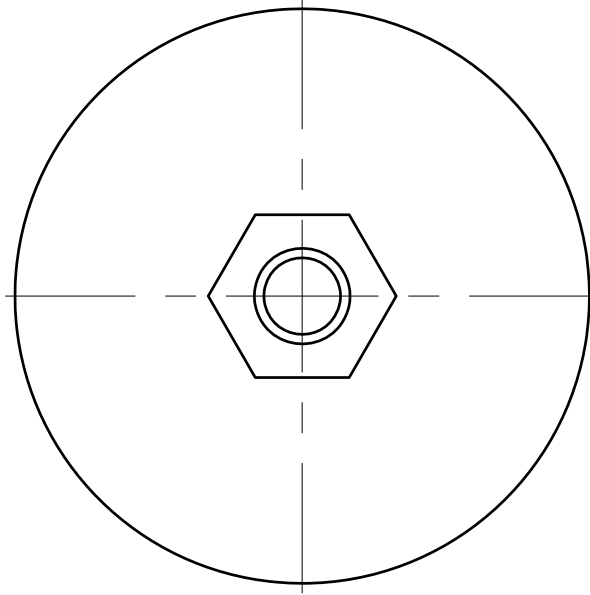
1
2
3
4
5
6
7
8
9
0


1
2
3
4
5
6
7
8
9
0

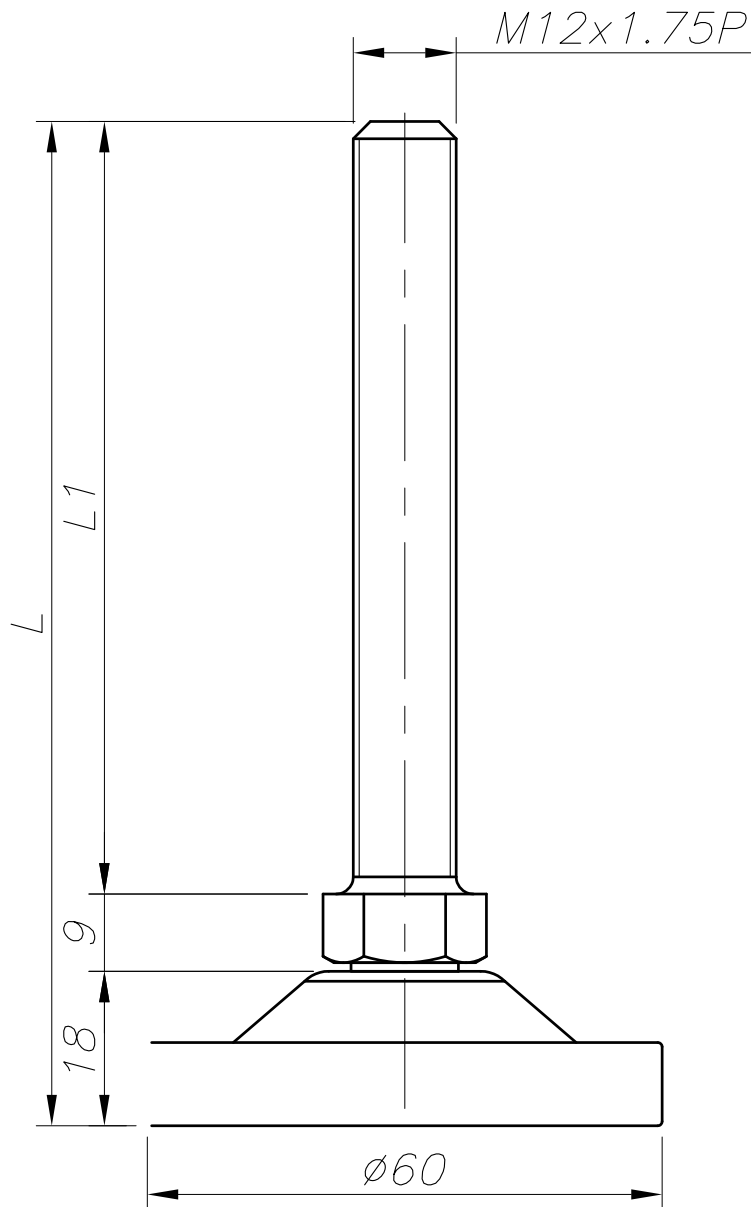
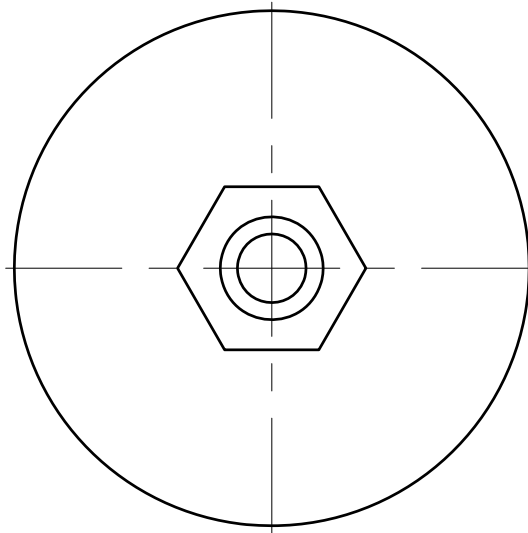


1
2
3
4
5
6
7
8
9
0

1
2
3
4
5
6
7
8
9
0

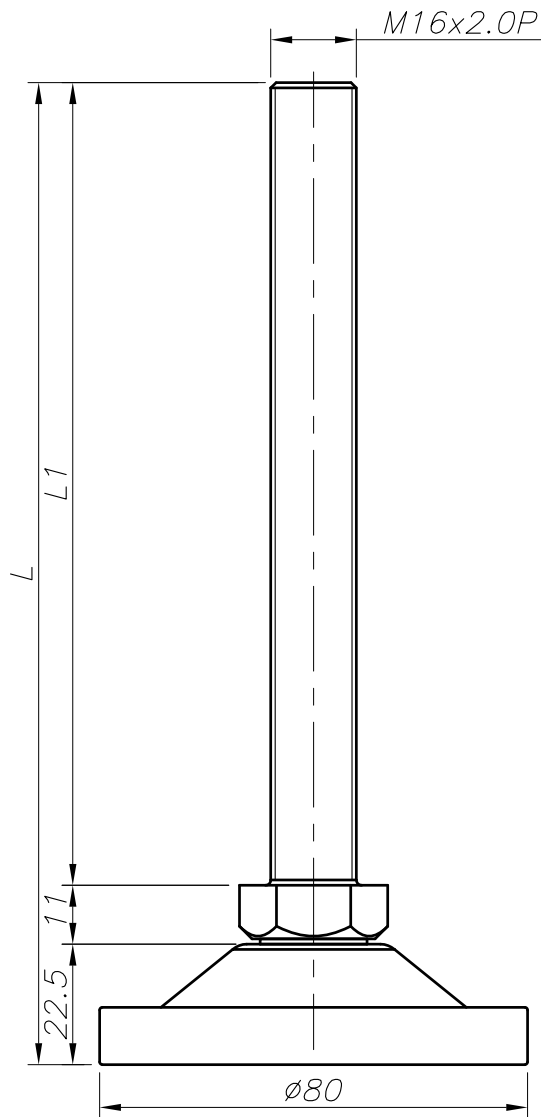
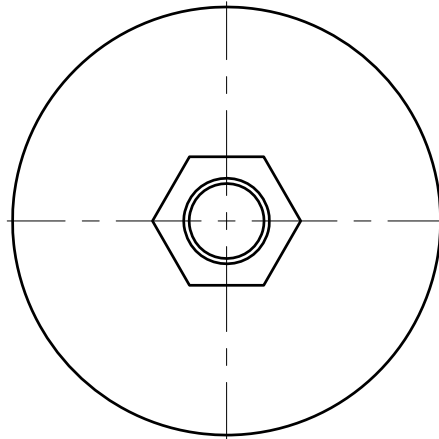


FOOT MASTER®	FOOMA®	 G-DOK IND.	MODEL NAME	PFR-10
A	B	C	F	G



1
2
3
4
5
6
7
8
9
0

1
2
3
4
5
6
7
8
9
0



1
2
3
4
5
6
7
8
9
0

1
2
3
4
5
6
7
8
9
0

