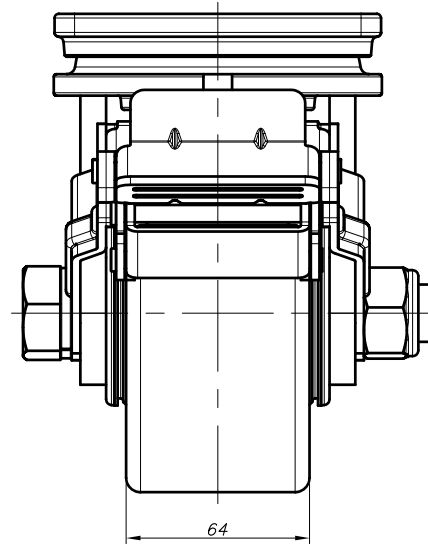
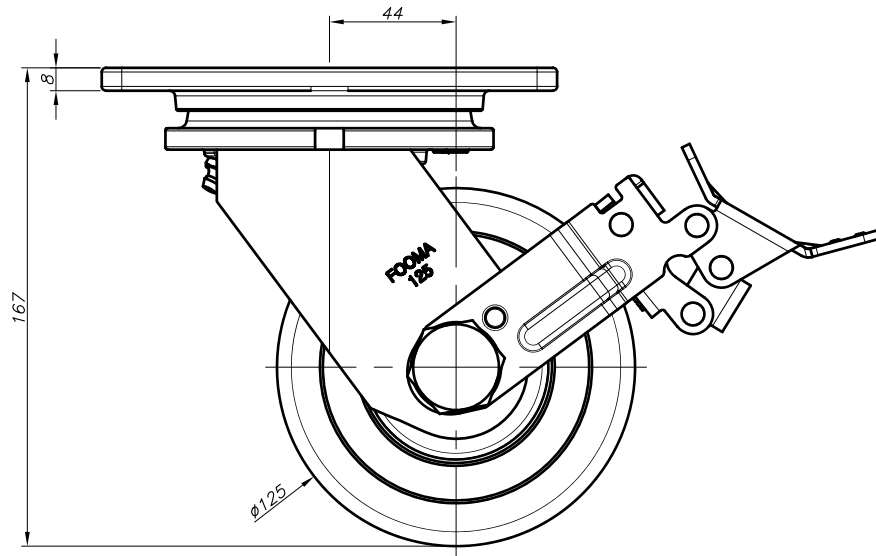
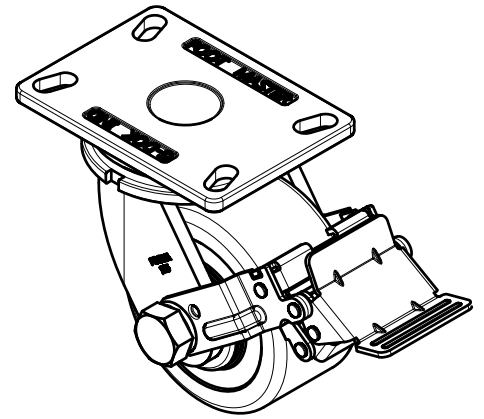
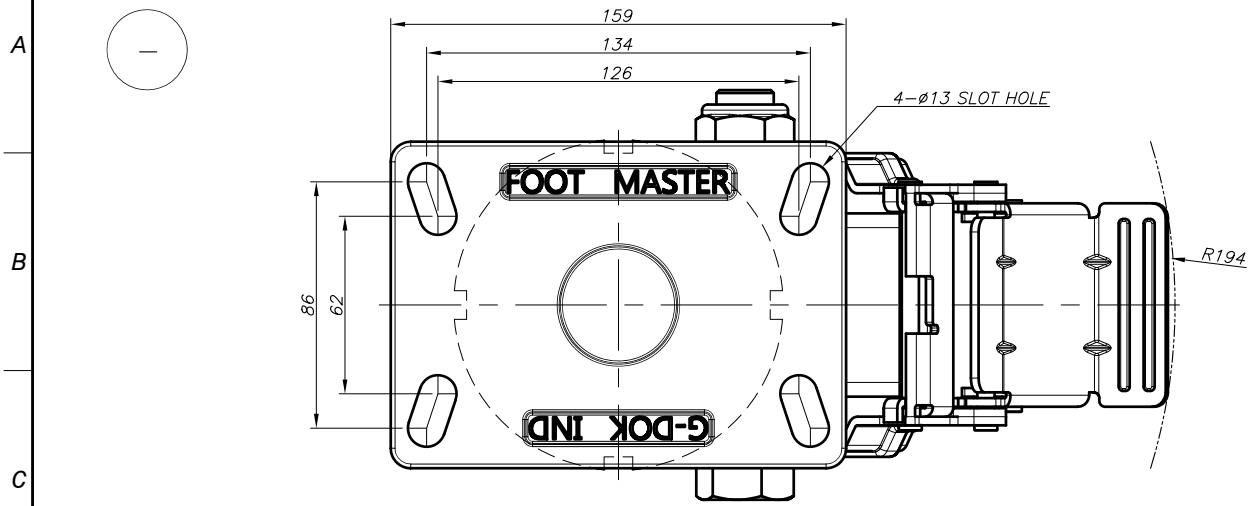


REV. NO.	DATE	DESCRIPTION	APP'D	REMARKS
▲	-	-	-	-



NOTE

※1) --

NO.	DESCRIPTION	UNIT	Q'TY	MATERIAL	WEIGHT	SPECIFICATION	REMARKS
--	--	--	--	--	--	--	--

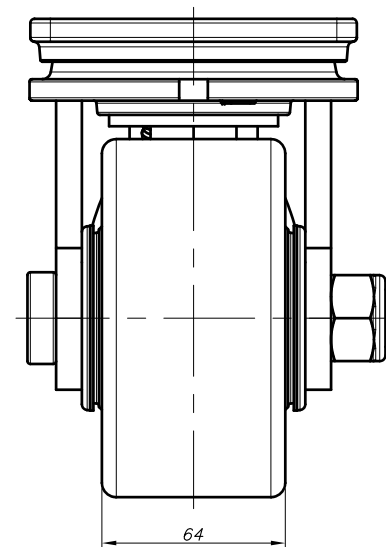
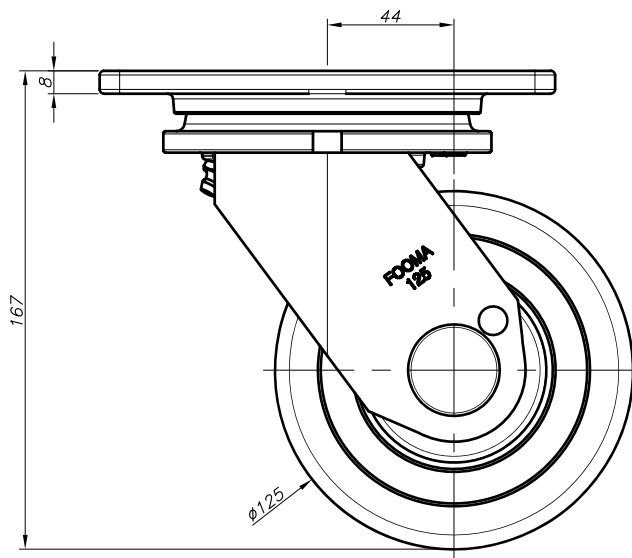
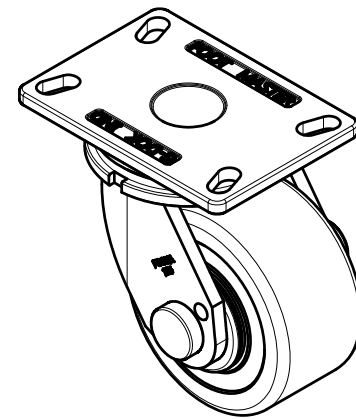
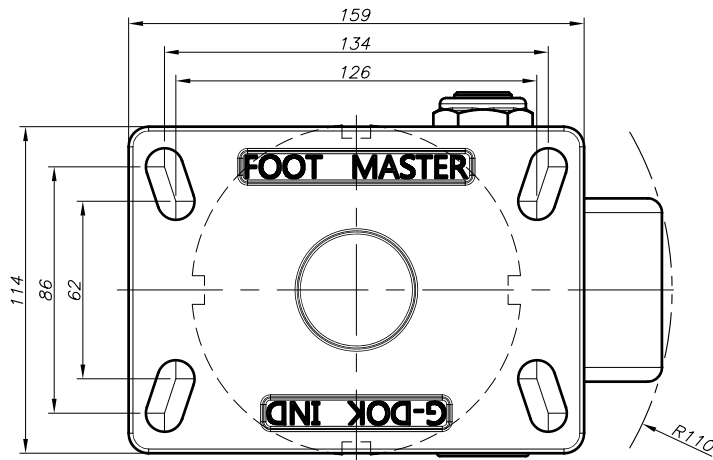
PROCESS		MATERIAL		APPROVED BY		CHECKED BY		DRAWN BY	
---	---	---	---	O.C.K	J.Y.H	S.D.W			

GENERAL TOLERANCE		CHAMFER		D.S		ROAD		D.S		UNIT		mm	
MINOR	PRECISION	GENERAL	MINOR	PRECISION	GENERAL	MINOR	PRECISION	GENERAL	MINOR	PRECISION	GENERAL	MINOR	PRECISION
0.5 - 6	±0.05	±0.1	1-0	0.5	1-0	0.5	1-0	0.5	1-0	0.5	1-0	0.5	1-0
6 - 30	±0.1	±0.2	0.5	1-0	0.5	1-0	0.5	1-0	0.5	1-0	0.5	1-0	
30 - 120	±0.15	±0.3	0.5	1-0	0.5	1-0	0.5	1-0	0.5	1-0	0.5	1-0	
120 - 400	±0.2	±0.5	0.5	1-0	0.5	1-0	0.5	1-0	0.5	1-0	0.5	1-0	
400 - 1000	±0.3	±0.8	0.5	1-0	0.5	1-0	0.5	1-0	0.5	1-0	0.5	1-0	

FOOT MASTER®		FOOMA®		G-DOK IND.	
SERIES NAME	GF-SERIES	DATE	2023.08.21	GSN NO.	-
PRODUCT NAME	GF-125-BSF-MCD	SCALE	N/S	DWG. NO.	-
PART NAME	ASSEMBLY	WEIGHT	--	REVISION	
		GENERAL TOLERANCE	--	ANGLE	▲

FOOT MASTER G-DOK IND.

REV. NO.	DATE	DESCRIPTION	APP'D	REMARKS
▲	-	-	-	-



NOTE  
※ 1) --

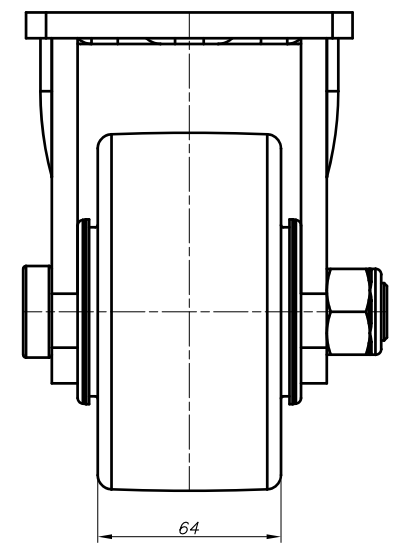
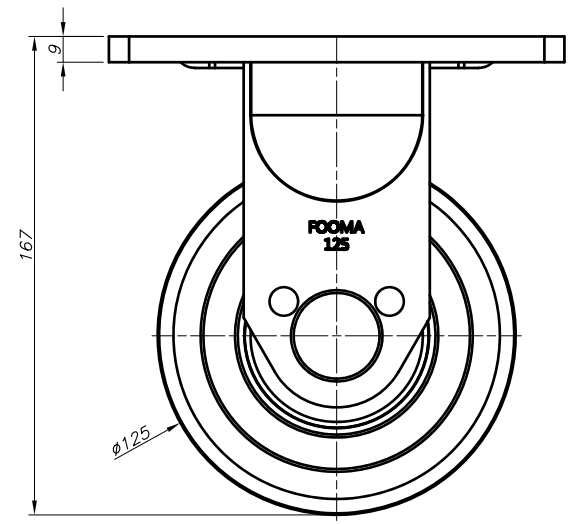
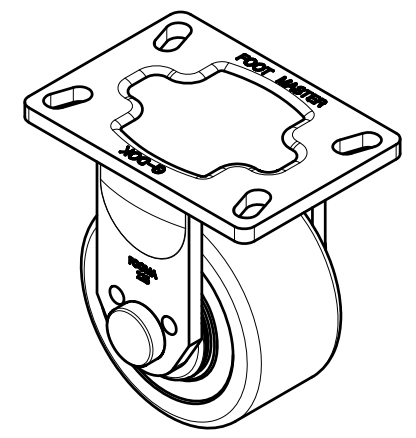
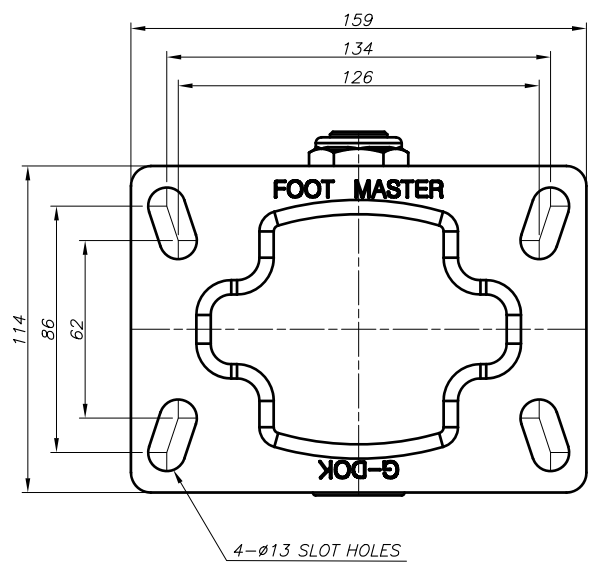
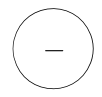
NO.	DESCRIPTION	UNIT	Q'TY	MATERIAL	WEIGHT	SPECIFICATION	REMARKS
--	--	--	--	--	--	--	--

PROCESS			GENERAL TOLERANCE															
MATERIAL			MACHINING WORKING				DIE CASTING				INJECTION MOLDING				PRESS WORKING			
APPROVED BY	CHECKED BY	DRAWN BY	FINISH	PRESION	GENRAL	FINISH	PRESION	GENRAL	FINISH	PRESION	GENRAL	FINISH	PRESION	GENRAL	FINISH	PRESION	GENRAL	
O.C.K	J.Y.H	S.D.W	0.5-6	±0.05	±0.1	1-8	H8	H9	1-8	H8	H9	1-8	H8	H9	1-8	H8	H9	
			6-30	±0.1	±0.2	3-8	H8	H9	3-8	H8	H9	3-8	H8	H9	3-8	H8	H9	
			30-120	±0.15	±0.3	3-8	H8	H9	3-8	H8	H9	3-8	H8	H9	3-8	H8	H9	
			120-400	±0.2	±0.5	3-8	H8	H9	3-8	H8	H9	3-8	H8	H9	3-8	H8	H9	
			400-1000	±0.3	±0.8	3-8	H8	H9	3-8	H8	H9	3-8	H8	H9	3-8	H8	H9	

FOOT MASTER®		FOOMA®		G-DOK IND.	
SERIES NAME	GF-SERIES	DATE	2023.08.21	GSN NO.	-
PRODUCT NAME	GF-125-ASF-MCD	SCALE	N/S	DWG. NO.	-
PART NAME	ASSEMBLY	WEIGHT	--	REVISION	
		GENERAL TOLERANCE	--	ANGLE	▲

FOOT MASTER G-DOK IND.

REV. NO.	DATE	DESCRIPTION	APP'D	REMARKS
△	-	-	-	-



NOTE

※1) --

NO.	DESCRIPTION	UNIT	Q'TY	MATERIAL	WEIGHT	SPECIFICATION	REMARKS
--	--	--	--	--	--	--	--

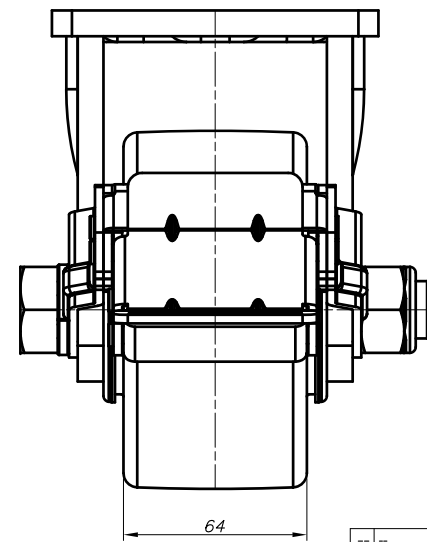
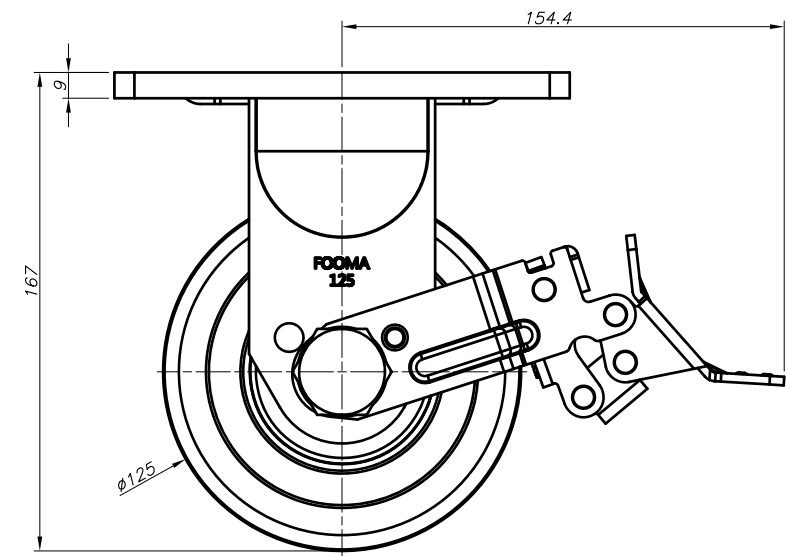
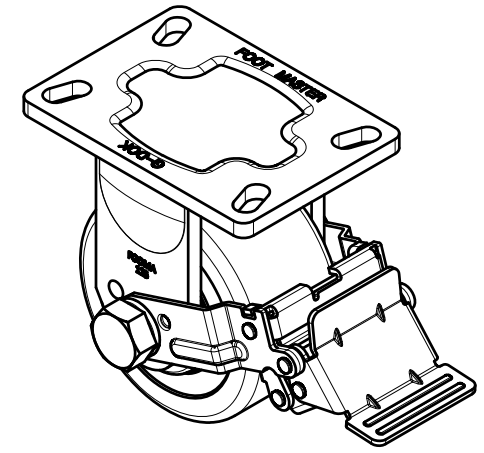
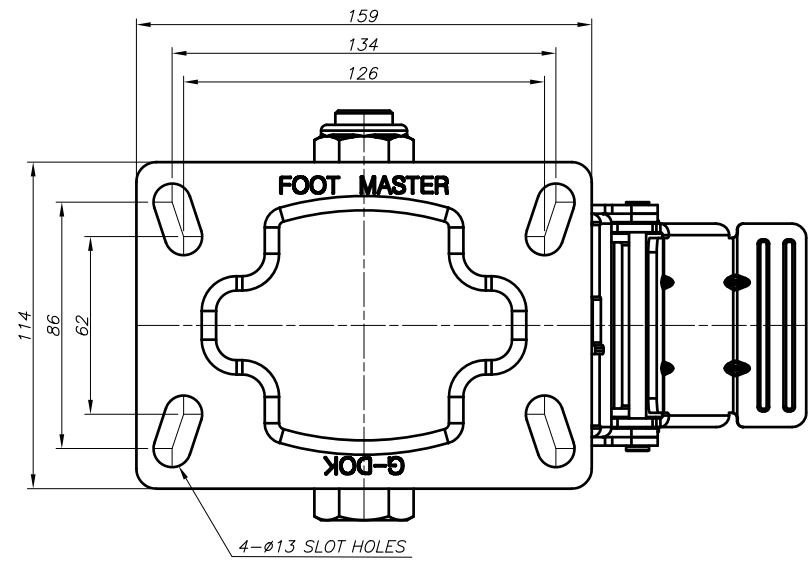
PROCESS	MATERIAL	GENERAL TOLERANCE																						
		MACHINING WORKING		DIE CASTING		INJECTION MOLDING		PRESS BURNING		CHAMFER	FL	ROUND	CS	UNIT	mm									
APPROVED BY	CHECKED BY	DRAWN BY	PRODUCT GENERAL TOLERANCE																					
			CASTER HEIGHT	WHEEL OUTER DIAMETER	WHEEL HUB WIDTH	30-120	120-400	400-1000	0.1	0.15	0.2	0.3	0.4	0.5	0.6	0.8	1.0	1.2	1.5	2.0	2.5	3.0	4.0	5.0

APPROVED BY: O.C.K.  
 CHECKED BY: J.Y.H.  
 DRAWN BY: S.D.W.

FOOT MASTER®		FOOMA®		G-DOK IND.	
SERIES NAME	GF-SERIES	DATE	2023.08.21	GSN NO.	-
PRODUCT NAME	GF-125-ARF-MCD	SCALE	N/S	DWG. NO.	-
PART NAME	ASSEMBLY	WEIGHT	--	REVISION	SIZE A3
GENERAL TOLERANCE		--		ANGLE	△

FOOT MASTER G-DOK IND.

REV. NO.	DATE	DESCRIPTION	APP'D	REMARKS
▲	-	-	-	-



NOTE

※ 1) --

NO.	DESCRIPTION	UNIT	Q'TY	MATERIAL	WEIGHT	SPECIFICATION	REMARKS
--	--	--	--	--	--	--	--

PROCESS		MATERIAL		APPROVED BY		CHECKED BY		DRAWN BY	
---	---	---	---	O.C.K	J.Y.H	S.D.W			

GENERAL TOLERANCE											
MACHINING WORKING					DIE CASTING		INJECTION MOLDING			PRESS WORKING	
FINISH	PRECISION	GENERAL	FINISH	PRECISION	FINISH	PRECISION	FINISH	PRECISION	FINISH	PRECISION	
0.5 - 6	±0.05	±0.1	1-A	±0.1	1-A	±0.1	1-A	±0.1	1-A	±0.1	
6 - 30	±0.1	±0.2	2-A	±0.1	2-A	±0.1	2-A	±0.1	2-A	±0.1	
30 - 120	±0.15	±0.3	3-A	±0.1	3-A	±0.1	3-A	±0.1	3-A	±0.1	
120 - 400	±0.2	±0.5	4-A	±0.1	4-A	±0.1	4-A	±0.1	4-A	±0.1	
400 - 1000	±0.3	±0.8	5-A	±0.1	5-A	±0.1	5-A	±0.1	5-A	±0.1	

PRODUCT GENERAL TOLERANCE					
CASTER HEIGHT	WHEEL OUTER DIAMETER	WHEEL HUB WIDTH	PRECISION	GENERAL	PRECISION
6 - 30	±0.1	±0.2	±0.1	±0.1	±0.1
30 - 120	±0.2	±0.5	±0.1	±0.1	±0.1
120 - 400	±0.3	±0.8	±0.1	±0.1	±0.1
400 - 1000	±0.5	±1.5	±0.1	±0.1	±0.1

SERIES NAME		DATE		GSN NO.	
GF-SERIES	2023.08.21	-	-	-	-
PRODUCT NAME		SCALE		DWG. NO.	
GF-125-BRF-MCD	N/S	-	-	-	-
PART NAME		WEIGHT		REVISION	
ASSEMBLY	--	-	-	-	-

FOOT MASTER®		FOOMA®		G-DOK IND.	
ANGLE	ANGLE	ANGLE	ANGLE	ANGLE	ANGLE

FOOT MASTER G-DOK IND.