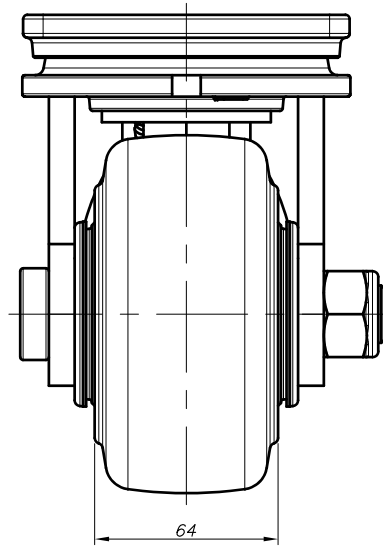
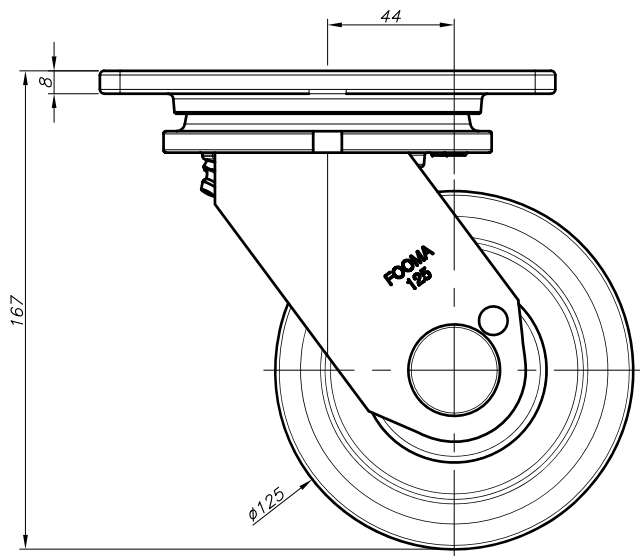
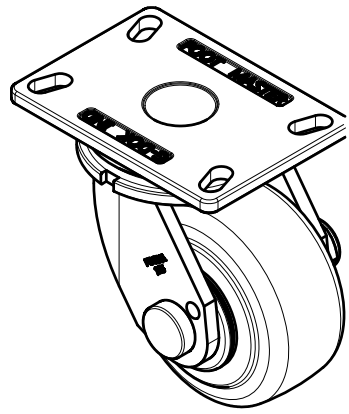
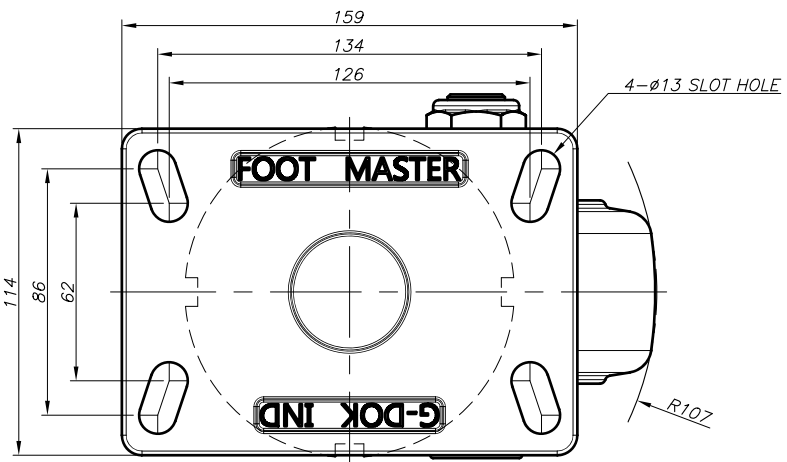


REV. NO.	DATE	DESCRIPTION	APP'D	REMARKS
▲	-	-	-	-



NOTE

※1) --

NO.	DESCRIPTION	UNIT	Q'TY	MATERIAL	WEIGHT	SPECIFICATION	REMARKS
--	--	--	--	--	--	--	--

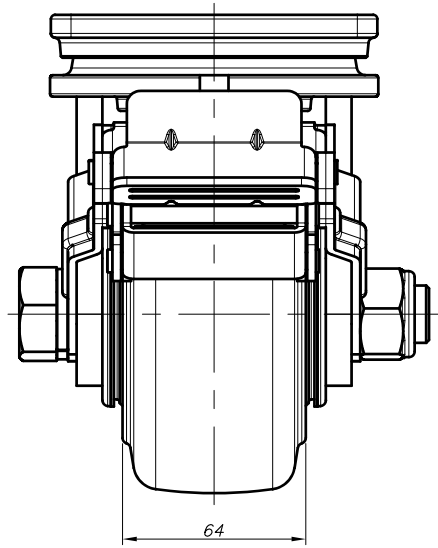
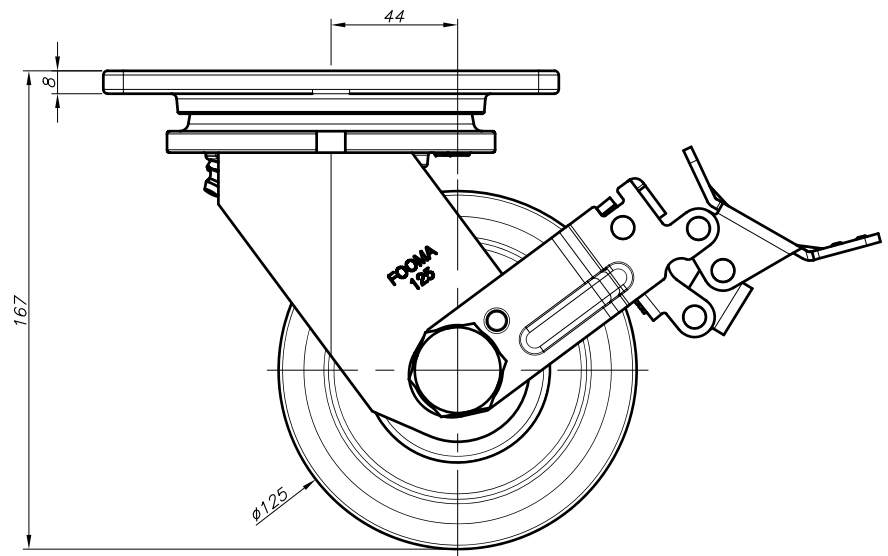
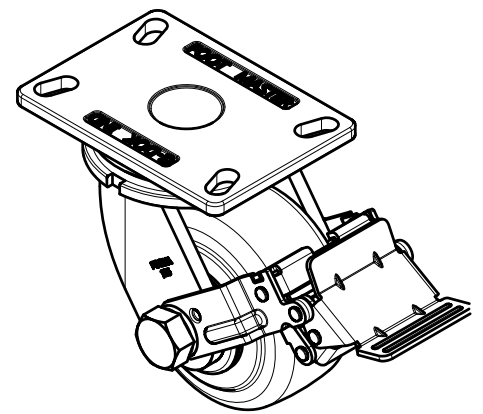
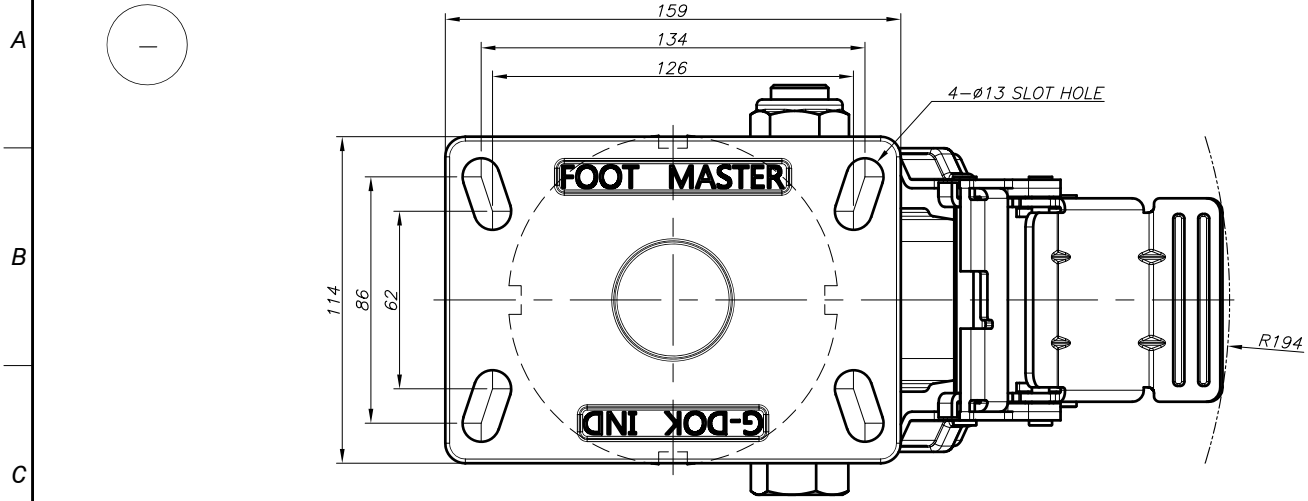
PROCESS		MATERIAL		APPROVED BY		CHECKED BY		DRAWN BY	
---	---	---	---	O.C.K	J.Y.H	S.D.W			

GENERAL TOLERANCE											
MACHINING WORKING			DIE CASTING			INJECTION MOLDING			PRESS WORKING		
FINISH	PRECISION	GENERAL	FINISH	PRECISION	GENERAL	FINISH	PRECISION	GENERAL	FINISH	PRECISION	GENERAL
0.5 - 6	±0.05	±0.1	1-10	±0.1	±0.2	1-10	±0.1	±0.2	1-10	±0.1	±0.2
6 - 30	±0.1	±0.2	30 - 120	±0.15	±0.3	30 - 120	±0.15	±0.3	30 - 120	±0.15	±0.3
120 - 400	±0.2	±0.5	400 - 1000	±0.3	±0.8	400 - 1000	±0.3	±0.8	400 - 1000	±0.3	±0.8

PRODUCT GENERAL TOLERANCE					
CASTER HEIGHT		WHEEL OUTER DIAMETER		WHEEL HUB WIDTH	
±0.5K	±1K	±0.5K	±1K	±1K	±2K
(0.05/0.1mm)	(0.1/0.2mm)	(0.05/0.1mm)	(0.1/0.2mm)	(0.1/0.2mm)	(0.2/0.5mm)

FOOT MASTER®		FOOMA®		G-DOK IND.	
SERIES NAME	GF-SERIES	DATE	2023.08.21	GSN NO.	-
PRODUCT NAME	GF-125-ASF-MUD	SCALE	N/S	DWG. NO.	-
PART NAME	ASSEMBLY	WEIGHT	--	REVISION	SIZE A3
		GENERAL TOLERANCE	--	ANGLE	▲

REV. NO.	DATE	DESCRIPTION	APP'D	REMARKS
▲	-	-	-	-



NOTE

※1) --

NO.	DESCRIPTION	UNIT	Q'TY	MATERIAL	WEIGHT	SPECIFICATION	REMARKS
--	--	--	--	--	--	--	--

PROCESS		MATERIAL		APPROVED BY		CHECKED BY		DRAWN BY	
---		---		O.C.K		J.Y.H		S.D.W	

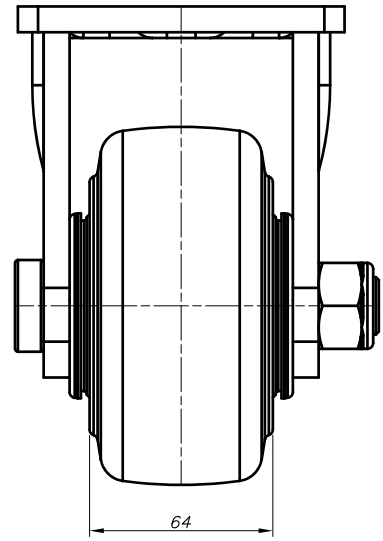
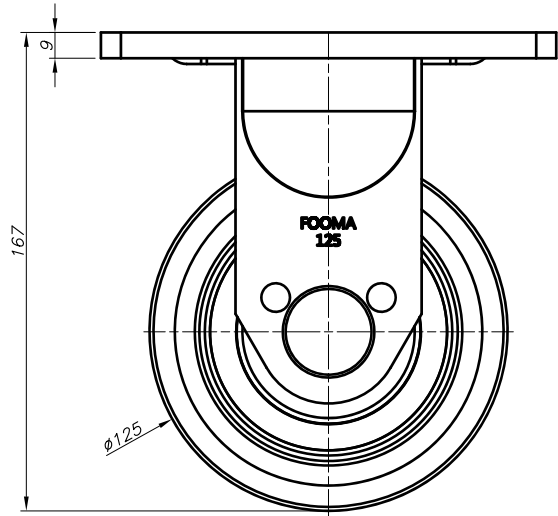
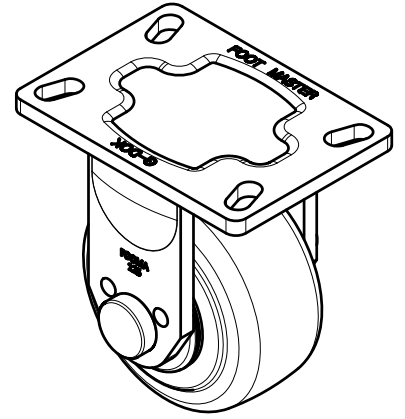
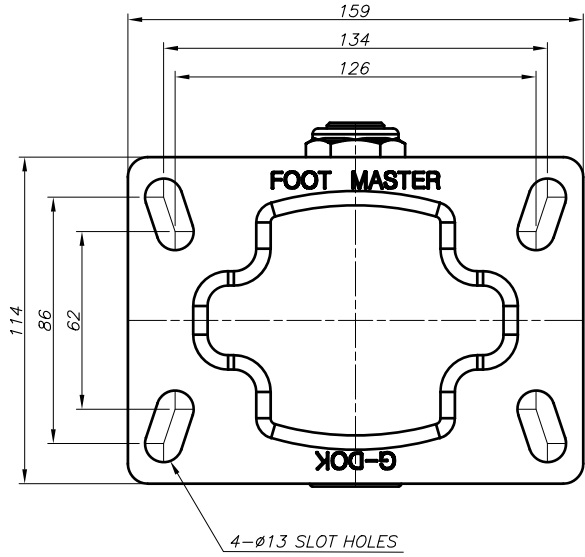
GENERAL TOLERANCE											
MACHINING WORKING					DIE CASTING		INJECTION MOLDING			PRESS WORKING	
FINISH	PRECISION	GENERAL	FINISH	PRECISION	GENERAL	FINISH	PRECISION	GENERAL	FINISH	PRECISION	
0.5 - 6	±0.05	±0.1	1-10	±0.1	±0.2	1-10	±0.1	±0.2	1-10	±0.1	
6 - 30	±0.1	±0.2	10-30	±0.1	±0.2	10-30	±0.1	±0.2	10-30	±0.1	
30 - 120	±0.15	±0.3	30-100	±0.1	±0.2	100-300	±0.1	±0.2	300-1000	±0.1	
120 - 400	±0.2	±0.5	400 - 1000	±0.3	±0.8						

PRODUCT GENERAL TOLERANCE		
CASTER HEIGHT	WHEEL OUTER DIAMETER	WHEEL HUB WIDTH
±0.5K (MIN:0.5mm)	±1K (MIN:1mm)	±0.5K (MIN:0.5mm)
±1K (MIN:1mm)	±1K (MIN:1mm)	±1K (MIN:1mm)

FOOT MASTER®		FOOMA®		G-DOK IND.	
SERIES NAME	GF-SERIES	DATE	2023.08.21	GSN NO.	-
PRODUCT NAME	GF-125-BSF-MUD	SCALE	N/S	DWG. NO.	-
PART NAME	ASSEMBLY	WEIGHT	--	REVISION	
		GENERAL TOLERANCE	--	ANGLE	▲

FOOT MASTER G-DOK IND.

REV. NO.	DATE	DESCRIPTION	APP'D	REMARKS
△	-	-	-	-



NOTE  
※ 1) --

NO.	DESCRIPTION	UNIT	Q'TY	MATERIAL	WEIGHT	SPECIFICATION	REMARKS
--	--	--	--	--	--	--	--

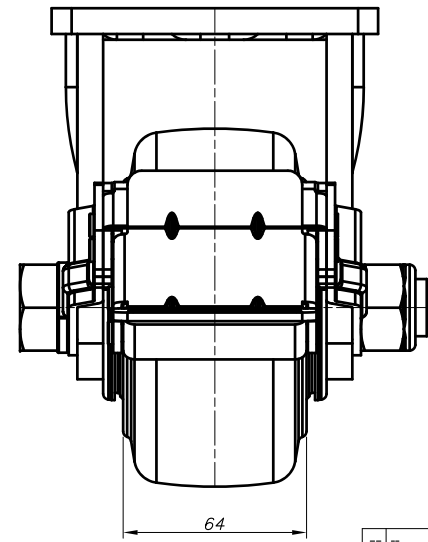
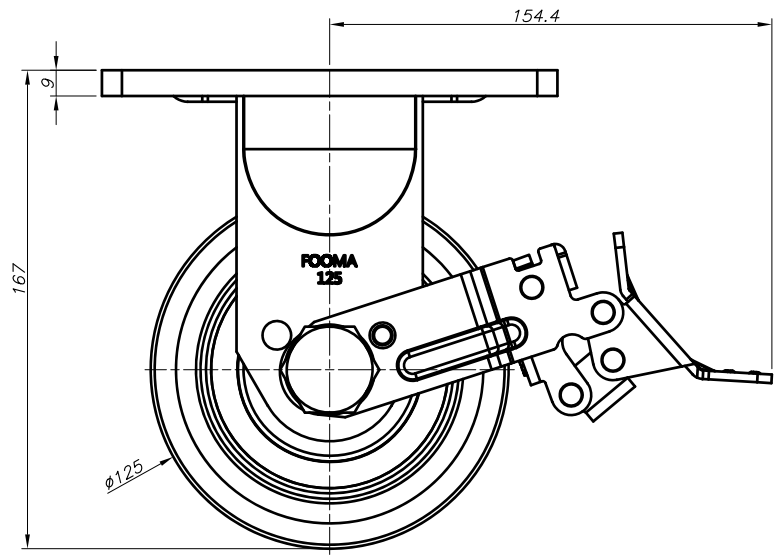
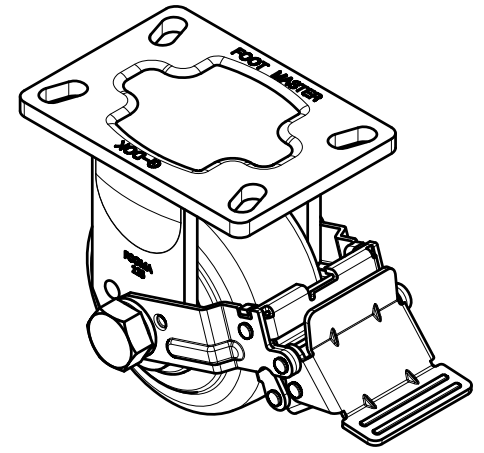
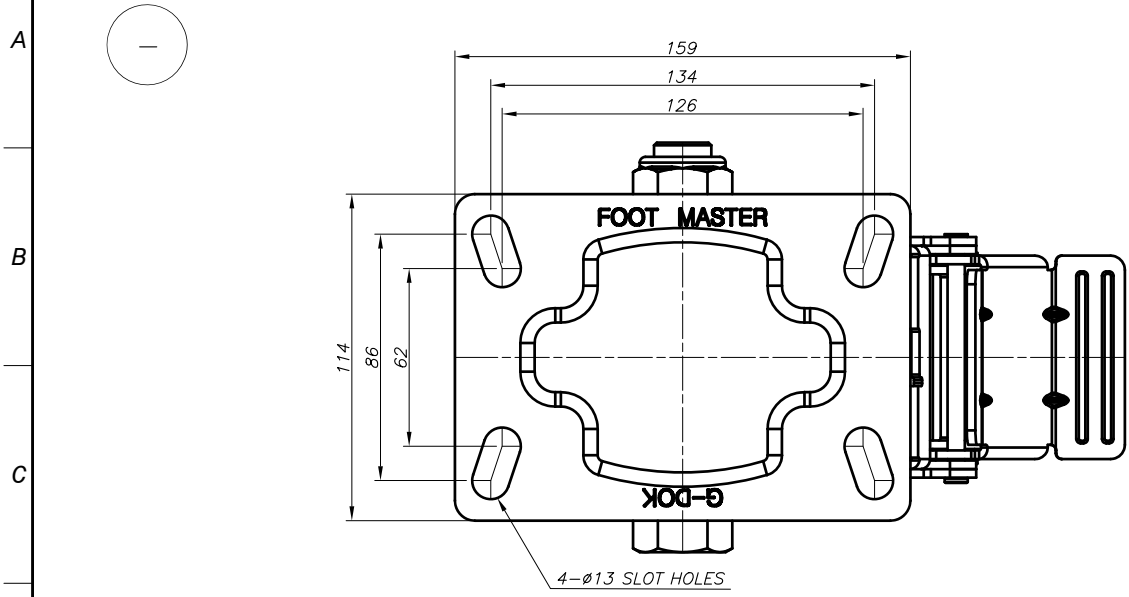
PROCESS		---	
MATERIAL		---	
APPROVED BY	CHECKED BY	DRAWN BY	
O.C.K	J.Y.H	S.D.W	

GENERAL TOLERANCE				CHAMFER	0.5	ROUND	0.5	UNIT	mm
MACHINING WORKING				DE CASTING(CI)		INJECTION MOLDING			PRESS WORKING
FINISH	PRECISION (μ)	GENERAL (μ)	FINISH (μ)	FINISH (μ)	PRECISION (μ)	FINISH (μ)	FINISH (μ)	FINISH (μ)	FINISH (μ)
0.5 - 6	±0.05	±0.1	1-#	R0.5	R0.5	R0.5	R0.5	R0.5	R0.5
6 - 30	±0.1	±0.2	2-#	R1	R1	R1	R1	R1	R1
30 - 120	±0.15	±0.3	3-#	R1.5	R1.5	R1.5	R1.5	R1.5	R1.5
120 - 400	±0.2	±0.5	4-#	R2	R2	R2	R2	R2	R2
400 - 1000	±0.3	±0.8	5-#	R3	R3	R3	R3	R3	R3

PRODUCT GENERAL TOLERANCE			
CASTER HEIGHT	WHEEL OUTER DIAMETER	WHEEL HUB WIDTH	WHEEL HUB BORE
±0.5K (MIN±0.3mm)	±1% (MIN±0.5mm)	±0.5K (MIN±0.3mm)	±0.1 (MIN±0.05mm)

FOOT MASTER®		FOOMA®		G-DOK IND.	
SERIES NAME	GF-SERIES <th>DATE</th> <td>2023.08.21 <th>GSN NO.</th> <td>-</td> </td>	DATE	2023.08.21 <th>GSN NO.</th> <td>-</td>	GSN NO.	-
PRODUCT NAME	GF-125-ARF-MUD	SCALE	N/S	DWG. NO.	-
PART NAME	ASSEMBLY	WEIGHT	--	REVISION	-
GENERAL TOLERANCE		--	ANGLE	△	⊕

REV. NO.	DATE	DESCRIPTION	APP'D	REMARKS
▲	-	-	-	-



NOTE

※1) --

NO.	DESCRIPTION	UNIT	Q'TY	MATERIAL	WEIGHT	SPECIFICATION	REMARKS
--	--	--	--	--	--	--	--

PROCESS		---		GENERAL TOLERANCE											
MATERIAL		---		MACHINING WORKING			DIE CASTING			INJECTION MOLDING			PRESS WORKING		
				FINISH	PRECISION	GENERAL	FINISH	PRECISION	GENERAL	FINISH	PRECISION	GENERAL	FINISH	PRECISION	GENERAL
APPROVED BY	CHECKED BY	DRAWN BY		0.5-6	$\pm 0.05$	$\pm 0.1$	1-6	$\pm 0.1$	$\pm 0.2$	1-6	$\pm 0.1$	$\pm 0.2$	1-6	$\pm 0.1$	$\pm 0.2$
O.C.K	J.Y.H	S.D.W		6-30	$\pm 0.1$	$\pm 0.2$	1-6	$\pm 0.1$	$\pm 0.2$	1-6	$\pm 0.1$	$\pm 0.2$	1-6	$\pm 0.1$	$\pm 0.2$
				30-120	$\pm 0.15$	$\pm 0.3$	1-6	$\pm 0.15$	$\pm 0.3$	1-6	$\pm 0.15$	$\pm 0.3$	1-6	$\pm 0.15$	$\pm 0.3$
				120-400	$\pm 0.2$	$\pm 0.5$	1-6	$\pm 0.2$	$\pm 0.5$	1-6	$\pm 0.2$	$\pm 0.5$	1-6	$\pm 0.2$	$\pm 0.5$
				400-1000	$\pm 0.3$	$\pm 0.8$	1-6	$\pm 0.3$	$\pm 0.8$	1-6	$\pm 0.3$	$\pm 0.8$	1-6	$\pm 0.3$	$\pm 0.8$

FOOT MASTER®		FOOMA®		G-DOK IND.	
SERIES NAME	GF-SERIES	DATE	2023.08.21	GSN NO.	-
PRODUCT NAME	GF-125-BRF-MUD	SCALE	N/S	DWG. NO.	-
PART NAME	ASSEMBLY	WEIGHT	--	REVISION	
		GENERAL TOLERANCE	--	ANGLE	▲