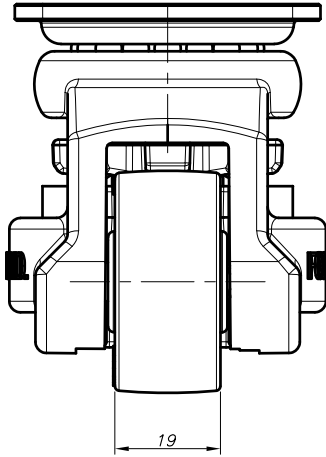
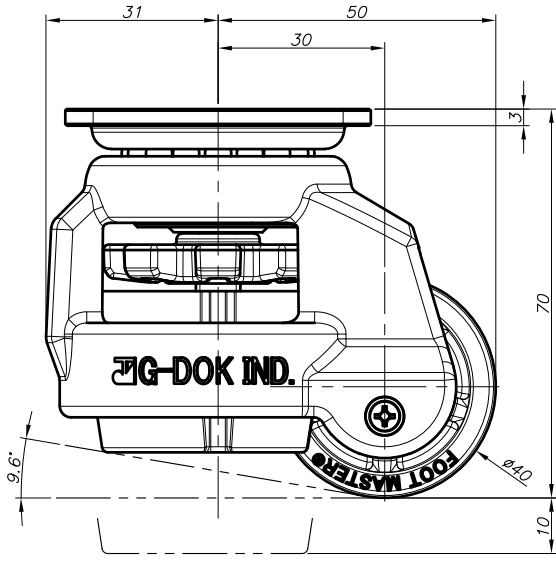
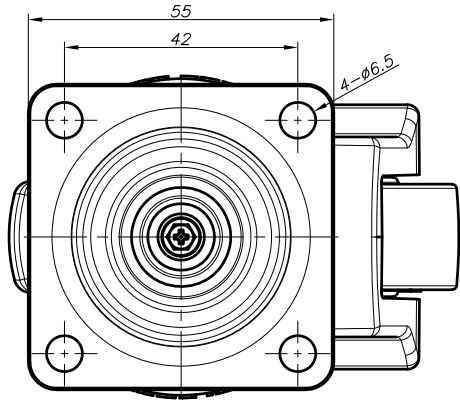
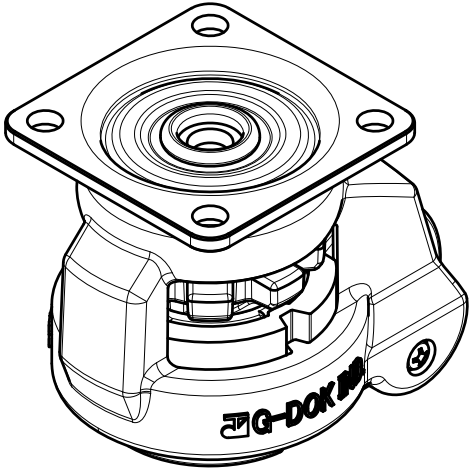


A B C E F G

REV. NO.	DATE	DESCRIPTION	APP'D	REMARKS
1	-	-	-	-



PROCESS		MATERIAL		APPROVED BY		CHECKED BY		DRAWN BY	
--		--		O.C.K		--		--	

NO.	DESCRIPTION	UNIT	Q'TY	MATERIAL	WEIGHT	SPECIFICATION	REMARKS
FOOT MASTER®		FOOMA®		G-DOK IND.			
SERIES NAME	LEVELING CASTER_GD-SERIES		DATE	2023.08.09	GSN NO.	-	
PRODUCT NAME	GD-40-F		SCALE	1/1	DWG. NO.	-	
PART NAME	ASSEMBLY		WEIGHT	--	REVISION	SIZE	A3
GENERAL TOLERANCE			B		ANGLE		⊕ ⊖