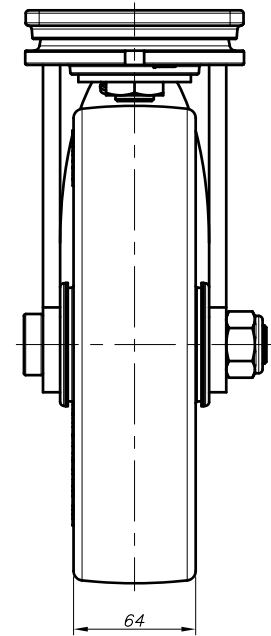
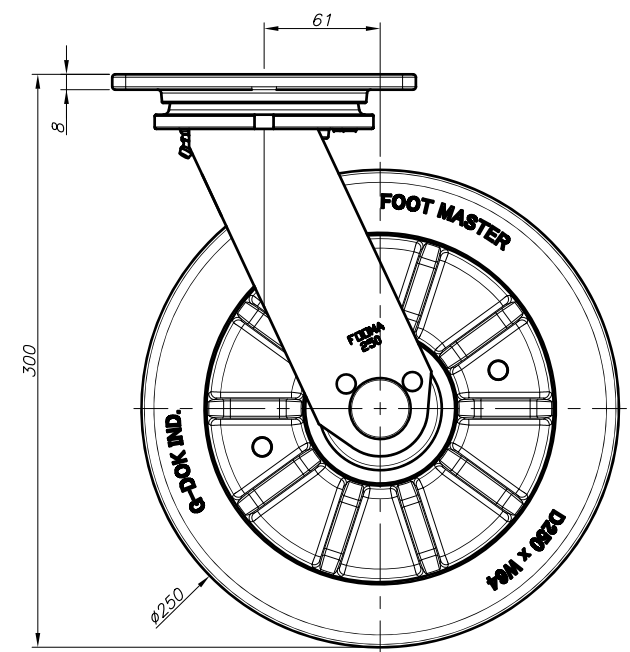
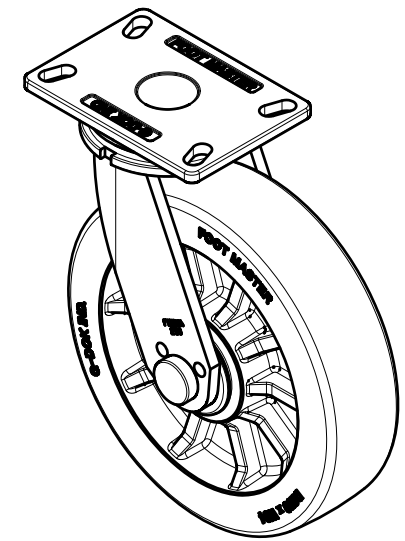
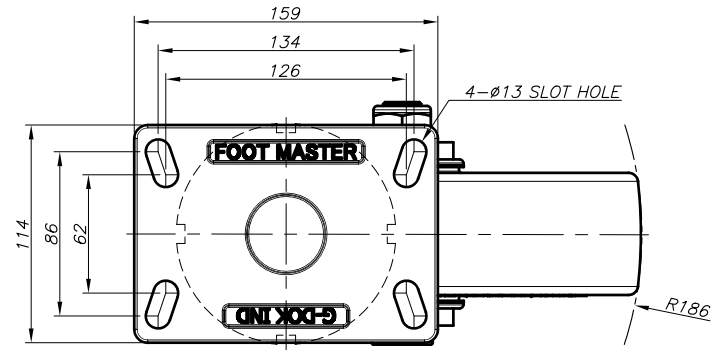


REV. NO.	DATE	DESCRIPTION	APP'D	REMARKS
1	-	-	-	-



NOTE

※ 1) --

NO.	DESCRIPTION	UNIT	Q'TY	MATERIAL	WEIGHT	SPECIFICATION	REMARKS
--	--	--	--	--	--	--	--

PROCESS		MATERIAL		APPROVED BY		CHECKED BY		DRAWN BY	
---		---		O.C.K		J.Y.H		S.D.W	

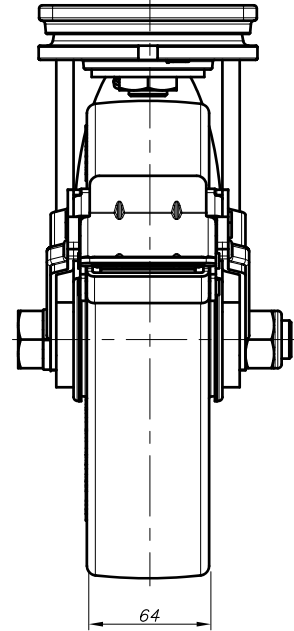
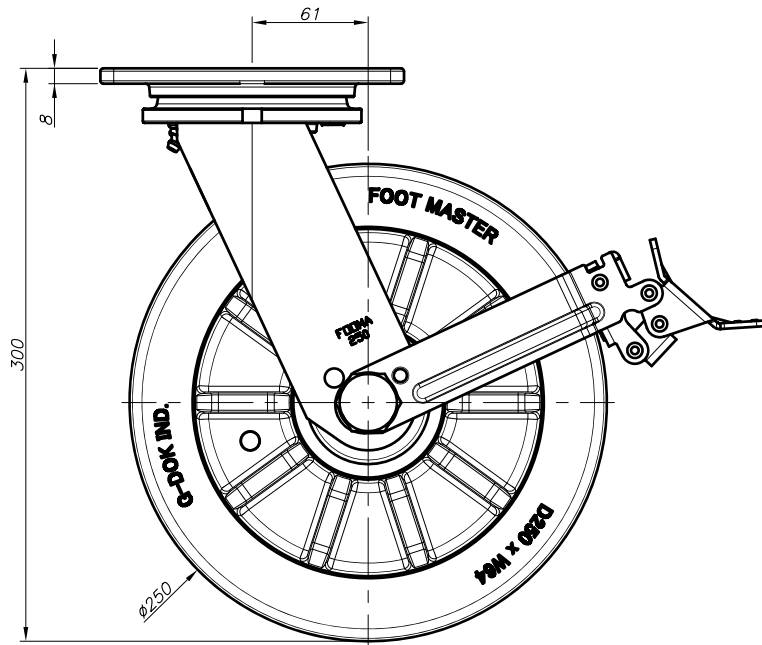
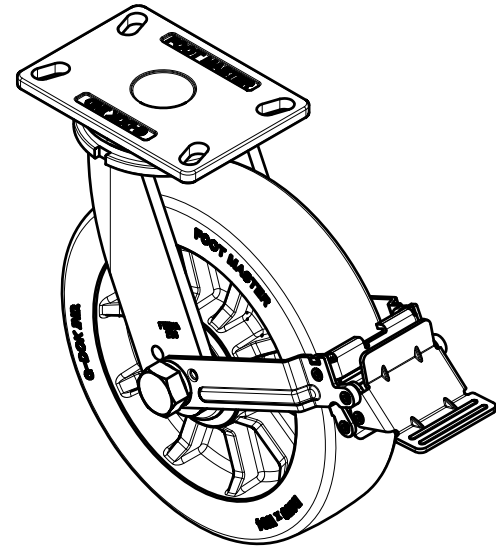
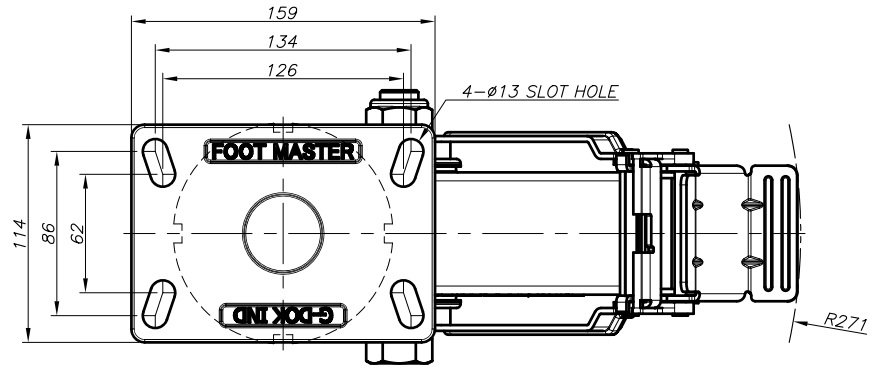
GENERAL TOLERANCE						CHAMFER		D.S		ROAD		D.S		UNIT		mm	
MACHINING WORKING						DE CASTING		INJECTION MOLDING		PRESS WORKING							
FINISH	PRECISION	GENERAL	FINISH	PRECISION	GENERAL	FINISH	PRECISION	GENERAL	FINISH	PRECISION	GENERAL	FINISH	PRECISION	GENERAL	FINISH	PRECISION	GENERAL
0.5 - 6	±0.05	±0.1	1-0	0.5	0.5	1-0	0.5	0.5	1-0	0.5	0.5	1-0	0.5	0.5	1-0	0.5	0.5
6 - 30	±0.1	±0.2	2-0	0.5	0.5	2-0	0.5	0.5	2-0	0.5	0.5	2-0	0.5	0.5	2-0	0.5	0.5
30 - 120	±0.15	±0.3	3-0	0.5	0.5	3-0	0.5	0.5	3-0	0.5	0.5	3-0	0.5	0.5	3-0	0.5	0.5
120 - 400	±0.2	±0.5	4-0	0.5	0.5	4-0	0.5	0.5	4-0	0.5	0.5	4-0	0.5	0.5	4-0	0.5	0.5
400 - 1000	±0.3	±0.8	5-0	0.5	0.5	5-0	0.5	0.5	5-0	0.5	0.5	5-0	0.5	0.5	5-0	0.5	0.5

PRODUCT GENERAL TOLERANCE					
CASTER HEIGHT		WHEEL OUTER DIAMETER		WHEEL HUB WIDTH	
±0.5K	±1K	±0.5K	±1K	-1K	-2K
(0.015mm)	(0.025mm)	(0.015mm)	(0.025mm)	(0.015mm)	(0.025mm)

SERIES NAME		DATE		GSN NO.	
GF-SERIES		2023.08.21		-	
PRODUCT NAME		SCALE		DWG. NO.	
GF-250-ASF-MUD		N/S		-	
PART NAME		WEIGHT		REVISION	
ASSEMBLY		--		-	
GENERAL TOLERANCE		ANGLE		SIZE	
--		△		A3	

FOOT MASTER G-DOK IND.

REV. NO.	DATE	DESCRIPTION	APP'D	REMARKS
▲	-	-	-	-



NOTE
 1) --

NO.	DESCRIPTION	UNIT	Q'TY	MATERIAL	WEIGHT	SPECIFICATION	REMARKS
--	--	--	--	--	--	--	--

PROCESS		MATERIAL		APPROVED BY		CHECKED BY		DRAWN BY	
---	---	---	---	O.C.K	J.Y.H	S.D.W			

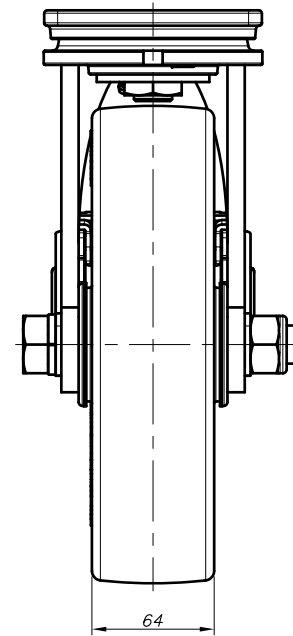
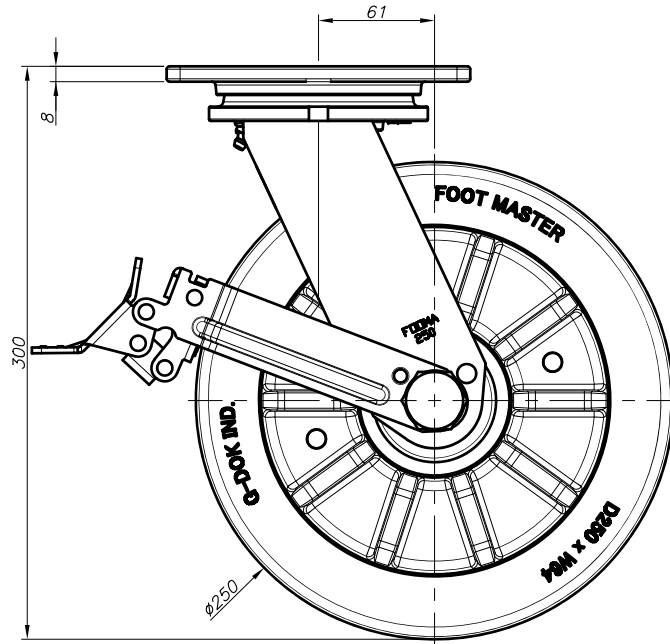
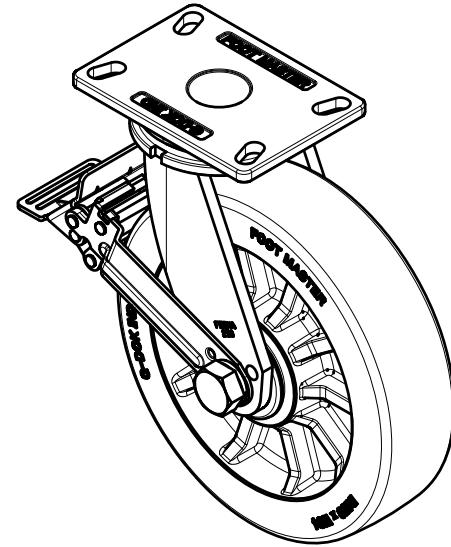
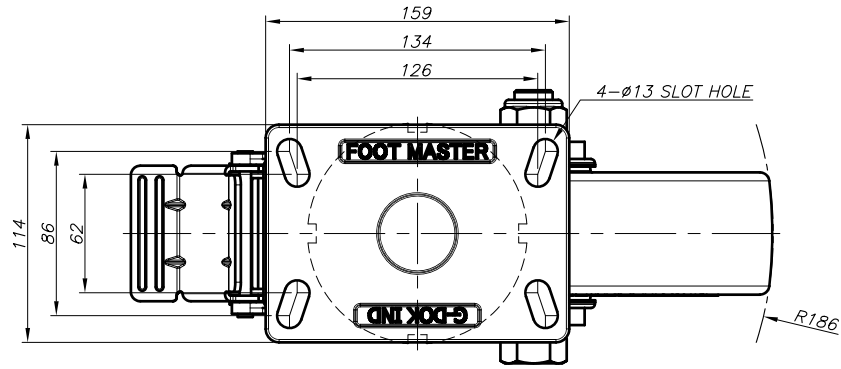
GENERAL TOLERANCE									
MACHINING WORKING		DIE CASTING		INJECTION MOLDING		PRESS WORKING			
FINISH	PRESION (μ)	GENERAL (μ)	FINISH (μ)	PIN	ROD	PLATE	PIPE	PIPE	PIPE
0.5 - 6	±0.05	±0.1	1-10	±0.05	±0.1	1-10	±0.05	±0.1	±0.1
6 - 30	±0.1	±0.2	10-30	±0.05	±0.1	10-30	±0.05	±0.1	±0.1
30 - 120	±0.15	±0.3	30-100	±0.05	±0.1	100-200	±0.05	±0.1	±0.1
120 - 400	±0.2	±0.5	100-400	±0.05	±0.1	400-800	±0.05	±0.1	±0.1
400 - 1000	±0.3	±0.8	800-1000	±0.05	±0.1	1000-2000	±0.05	±0.1	±0.1

PRODUCT GENERAL TOLERANCE			
CASTER HEIGHT	WHEEL OUTER DIAMETER	WHEEL HUB WIDTH	WHEEL RIM WIDTH
±0.5K (MIN:0.5mm)	±1K (MIN:1mm)	±0.5K (MIN:0.5mm)	±1K (MIN:1mm)

FOOT MASTER®		FOOMA®		G-DOK IND.	
SERIES NAME	GF-SERIES	DATE	2023.08.21	GSN NO.	-
PRODUCT NAME	GF-250-BSF-MUD	SCALE	N/S	DWG. NO.	-
PART NAME	ASSEMBLY	WEIGHT	--	REVISION	SIZE A3
		GENERAL TOLERANCE	--	ANGLE	▲

FOOT MASTER G-DOK IND.

REV. NO.	DATE	DESCRIPTION	APP'D	REMARKS
▲	-	-	-	-



NOTE

※1) --

NO.	DESCRIPTION	UNIT	Q'TY	MATERIAL	WEIGHT	SPECIFICATION	REMARKS
--	--	--	--	--	--	--	--

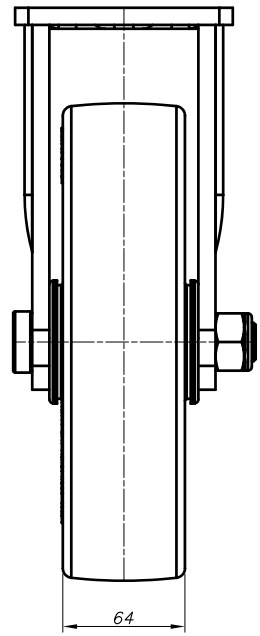
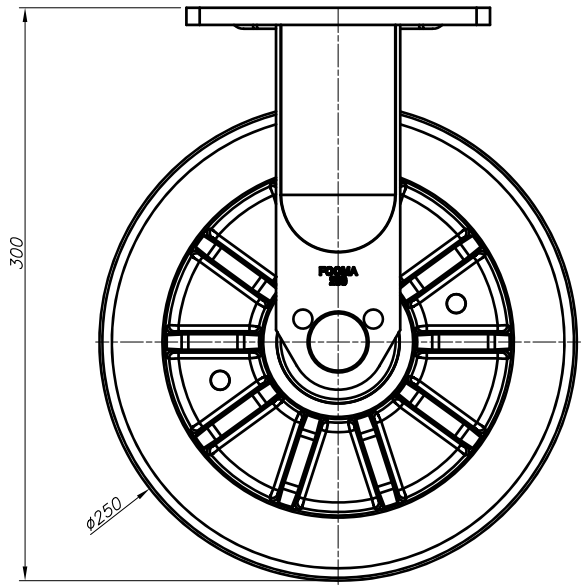
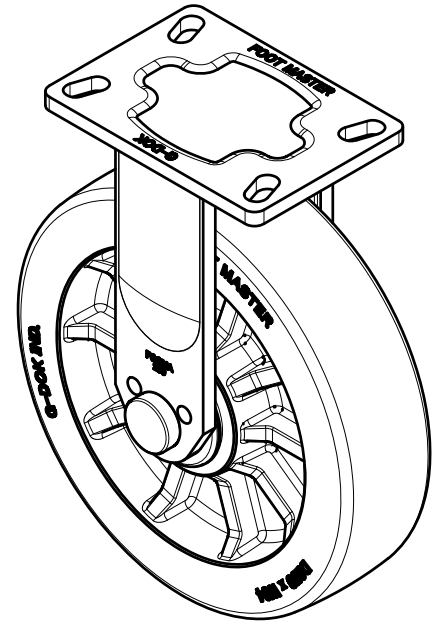
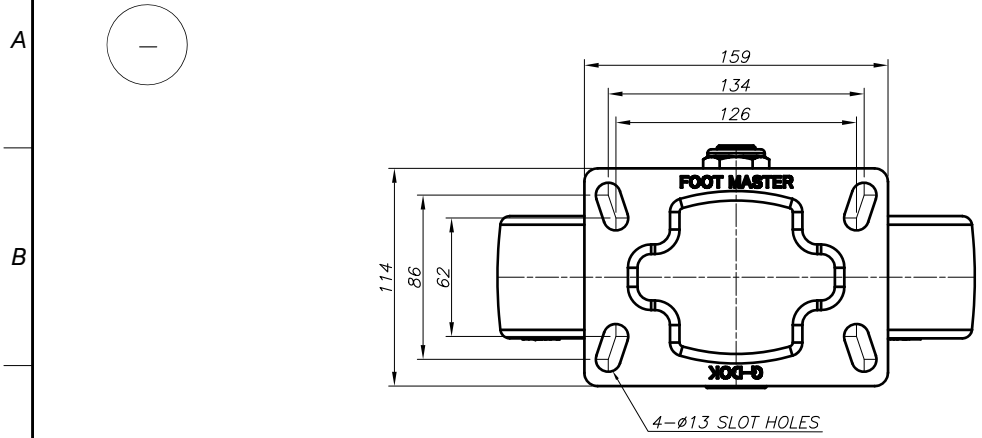
PROCESS		MATERIAL		APPROVED BY		CHECKED BY		DRAWN BY	
---	---	---	---	O.C.K	J.Y.H	S.D.W			

GENERAL TOLERANCE											
MACHINING WORKING			DIE CASTING			INJECTION MOLDING			PRESS WORKING		
FINISH	PRECISION	GENERAL	FINISH	PRECISION	GENERAL	FINISH	PRECISION	GENERAL	FINISH	PRECISION	GENERAL
0.5 - 6	±0.05	±0.1	1-8	±0.1	±0.2	1-8	±0.1	±0.2	1-8	±0.1	±0.2
6 - 30	±0.1	±0.2	8-12	±0.1	±0.2	8-12	±0.1	±0.2	8-12	±0.1	±0.2
30 - 120	±0.15	±0.3	12-18	±0.1	±0.2	12-18	±0.1	±0.2	12-18	±0.1	±0.2
120 - 400	±0.2	±0.5	18-24	±0.1	±0.2	18-24	±0.1	±0.2	18-24	±0.1	±0.2
400 - 1000	±0.3	±0.8	24-30	±0.1	±0.2	24-30	±0.1	±0.2	24-30	±0.1	±0.2

PRODUCT GENERAL TOLERANCE					
CASTER HEIGHT		WHEEL OUTER DIAMETER		WHEEL HUB BORE	
PRECISION	GENERAL	PRECISION	GENERAL	PRECISION	GENERAL
±0.5K	±1K	±0.5K	±1K	-1K	-2K
(0.05mm)	(0.1mm)	(0.05mm)	(0.1mm)	(0.1mm)	(0.2mm)

FOOT MASTER®		FOOMA®		G-DOK IND.	
SERIES NAME	GF-SERIES	DATE	2023.08.21	GSN NO.	-
PRODUCT NAME	GF-250-BSF-MUD-FRN	SCALE	N/S	DWG. NO.	-
PART NAME	ASSEMBLY	WEIGHT	--	REVISION	
		GENERAL TOLERANCE	--	ANGLE	▲

REV. NO.	DATE	DESCRIPTION	APP'D	REMARKS
▲	-	-	-	-



NOTE

※ 1) --

NO.	DESCRIPTION	UNIT	Q'TY	MATERIAL	WEIGHT	SPECIFICATION	REMARKS
--	--	--	--	--	--	--	--

PROCESS		MATERIAL		APPROVED BY		CHECKED BY		DRAWN BY	
---	---	---	---	O.C.K	J.Y.H	S.D.W			

GENERAL TOLERANCE											
MACHINING WORKING			DIE CASTING			INJECTION MOLDING			PRESS WORKING		
MINI	PRECISION	GENERAL	MINI	PRECISION	GENERAL	MINI	PRECISION	GENERAL	MINI	PRECISION	GENERAL
0.5 - 6	±0.05	±0.1	0.5 - 6	±0.1	±0.2	0.5 - 6	±0.1	±0.2	0.5 - 6	±0.1	±0.2
6 - 30	±0.1	±0.2	30 - 120	±0.15	±0.3	30 - 120	±0.15	±0.3	30 - 120	±0.15	±0.3
120 - 400	±0.2	±0.5	400 - 1000	±0.3	±0.8	120 - 400	±0.2	±0.5	400 - 1000	±0.3	±0.8

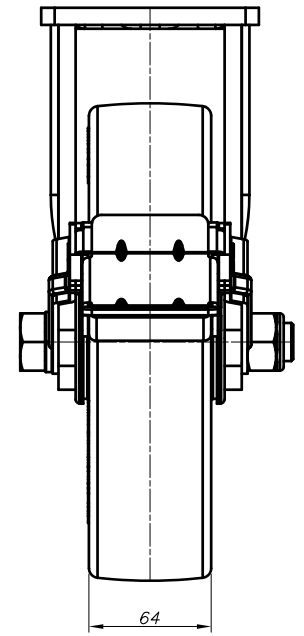
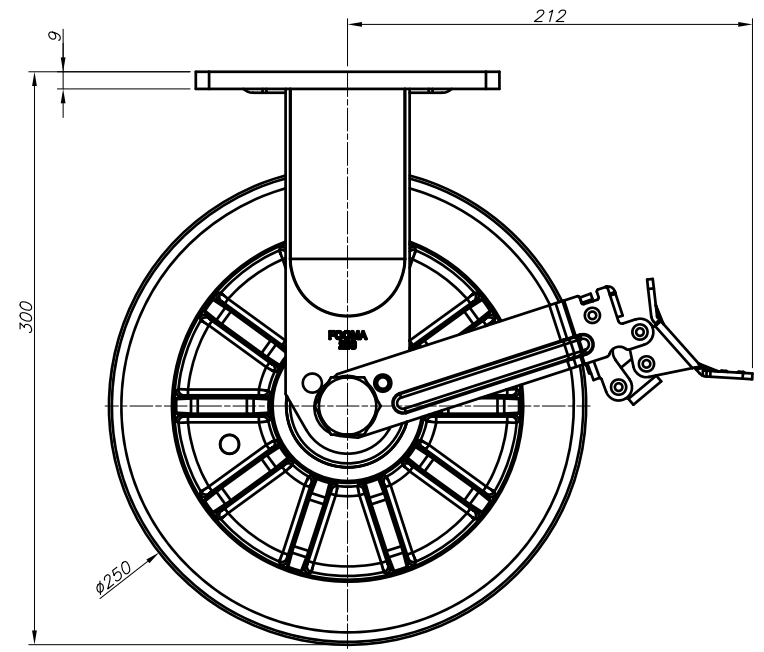
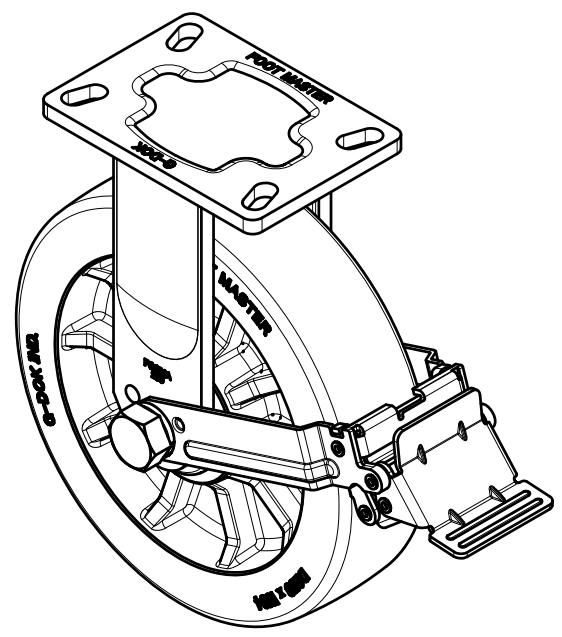
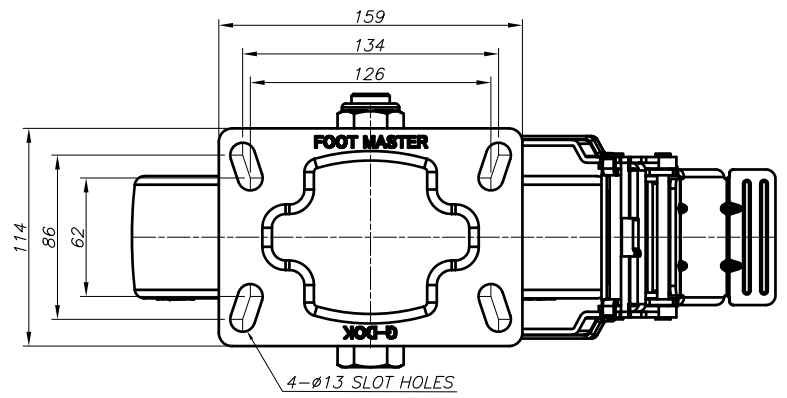
PRODUCT GENERAL TOLERANCE			
CASTER HEIGHT	WHEEL OUTER DIAMETER	WHEEL HUB WIDTH	WHEEL RIM WIDTH
±0.5K (MIN:0.5mm)	±1K (MIN:1mm)	±0.5K (MIN:0.5mm)	±1K (MIN:1mm)
±1K (MIN:1mm)	±1K (MIN:1mm)	±1K (MIN:1mm)	±1K (MIN:1mm)

SERIES NAME		DATE		GSN NO.	
GF-SERIES		2023.08.21		-	
PRODUCT NAME		SCALE		DWG. NO.	
GF-250-ARF-MUD		N/S		-	
PART NAME		WEIGHT		REVISION	
ASSEMBLY		--		-	

FOOT MASTER®		FOOMA®		G-DOK IND.	
GENERAL TOLERANCE	--	ANGLE	▲	SIZE	A3

FOOT MASTER G-DOK IND.

REV. NO.	DATE	DESCRIPTION	APP'D	REMARKS
▲	-	-	-	-



NOTE

※1) --

NO.	DESCRIPTION	UNIT	Q'TY	MATERIAL	WEIGHT	SPECIFICATION	REMARKS
--	--	--	--	--	--	--	--

PROCESS		MATERIAL		APPROVED BY		CHECKED BY		DRAWN BY	
---		---		O.C.K		J.Y.H		S.D.W	

GENERAL TOLERANCE											
MACHINING WORKING					DIE CASTING		INJECTION MOLDING			PRESS WORKING	
FINISH	PRECISION (μ)	GENERAL (μ)	FINISH (μ)	PRECISION (μ)	GENERAL (μ)	FINISH (μ)	PRECISION (μ)	GENERAL (μ)	FINISH (μ)	PRECISION (μ)	GENERAL (μ)
0.5 - 6	±0.05	±0.1	1-10	±0.1	±0.2	1-10	±0.1	±0.2	1-10	±0.1	±0.2
6 - 30	±0.1	±0.2	30 - 120	±0.15	±0.3	30 - 120	±0.15	±0.3	30 - 120	±0.15	±0.3
120 - 400	±0.2	±0.5	400 - 1000	±0.3	±0.8	120 - 400	±0.2	±0.5	400 - 1000	±0.3	±0.8

PRODUCT GENERAL TOLERANCE					
CASTER HEIGHT	WHEEL OUTER DIAMETER	WHEEL HUB WIDTH	PRECISION (μ)	GENERAL (μ)	PRECISION (μ)
±0.05 (0.05mm)	±0.05 (0.05mm)	±0.1 (0.1mm)	±0.05 (0.05mm)	±0.1 (0.1mm)	±0.1 (0.1mm)

SERIES NAME		DATE		GSN NO.	
GF-SERIES		2023.08.21		-	
PRODUCT NAME		SCALE		DWG. NO.	
GF-250-BRF-MUD		N/S		-	
PART NAME		WEIGHT		REVISION	
ASSEMBLY		--		-	

FOOT MASTER®		FOOMA®		G-DOK IND.	
GENERAL TOLERANCE		--		ANGLE	

FOOT MASTER G-DOK IND.