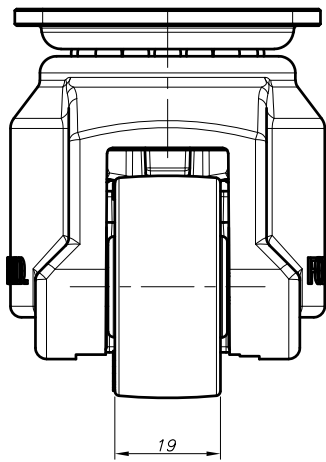
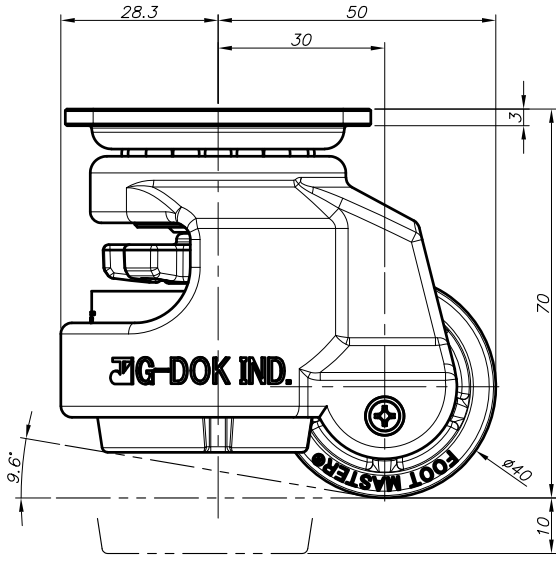
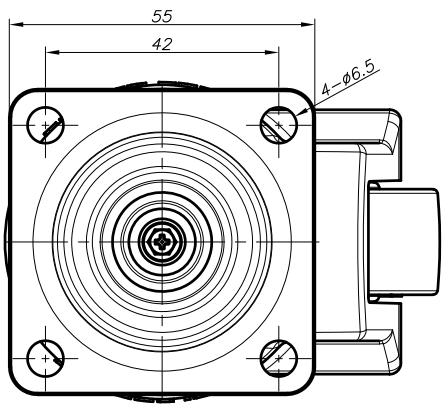
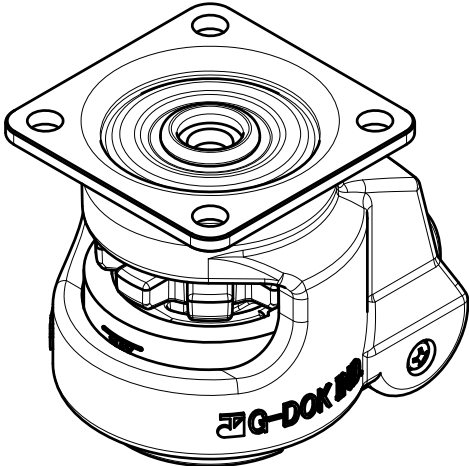


A B C E F G

REV. NO.	DATE	DESCRIPTION	APP'D	REMARKS
1	-	-	-	-



NO.	DESCRIPTION	UNIT	Q'TY	MATERIAL	WEIGHT	SPECIFICATION	REMARKS
-----	-------------	------	------	----------	--------	---------------	---------

PROCESS	--
MATERIAL	--
APPROVED BY	O.C.K
CHECKED BY	--
DRAWN BY	--

GENERAL TOLERANCE		CHAMFER	Ø.5	ROUND	Ø.5	UNIT	mm
MACHINING, BORING		(DE GRADING)	FLECTION MILLING		PRESS WORKING		
RANGE	PRECISION (T)	GRADE	RANGE	PRECISION (T)	RANGE	PRECISION (T)	
0.5 - 6	±0.05	±0.1	F-0	Ø.05	Ø.05	F-0	Ø.05
6 - 30	±0.1	±0.2	F-0	Ø.05	Ø.05	F-0	Ø.05
30 - 120	±0.15	±0.3	F-0	Ø.05	Ø.05	F-0	Ø.05
120 - 400	±0.2	±0.5	F-0	Ø.05	Ø.05	F-0	Ø.05
400 - 1000	±0.3	±0.8	F-0	Ø.05	Ø.05	F-0	Ø.05

FOOT MASTER®		FOOMA®		G-DOK IND.	
SERIES NAME	LEVELING CASTER_GD-SERIES	DATE	2023.08.09	GSN NO.	-
PRODUCT NAME	GDN-40-F	SCALE	1/1	DWG. NO.	-
PART NAME	ASSEMBLY	WEIGHT	--	REVISION	
GENERAL TOLERANCE		B	ANGLE		A3

FOOT MASTER G-DOK IND. FOOT MASTER G-DOK IND.